

# FERM®

## POWER WALL SLOTTER 1600W - 150mm

POWER SINCE 1965



<b>EN</b>	Original instructions	06	<b>PL</b>	Tłumaczenie instrukcji oryginalnej	75
<b>DE</b>	Übersetzung der Originalbetriebsanleitung	10	<b>LT</b>	Originalios instrukcijos vertimas	79
<b>NL</b>	Vertaling van de oorspronkelijke gebruiksaanwijzing	15	<b>LV</b>	Instrukciju tulkojums no oriģinālvalodas	84
<b>FR</b>	Traduction de la notice originale	20	<b>ET</b>	Algupärase kasutusjuhendi tõlge	88
<b>ES</b>	Traducción del manual original	25	<b>RO</b>	Traducere a instrucțiunilor originale	93
<b>PT</b>	Tradução do manual original	29	<b>HR</b>	Prevedeno s izvornih uputa	97
<b>IT</b>	Traduzione delle istruzioni originali	34	<b>SR</b>	Prevod originalnog uputstva	102
<b>SV</b>	Översättning av bruksanvisning i original	39	<b>RU</b>	Перевод исходных инструкций	106
<b>FI</b>	Alkuperäisten ohjeiden käänös	44	<b>UK</b>	Переклад оригінальних інструкцій	111
<b>NO</b>	Oversatt fra original veiledning	48	<b>EL</b>	Μετάφραση του πρωτοτύπου των οδηγιών χρήσης	116
<b>DA</b>	Oversættelse af den originale brugsanvisning	52			
<b>HU</b>	Eredeti használati utasítás fordítása	57			
<b>CS</b>	Překlad původního návodu k používání	61			
<b>SK</b>	Prevod izvirnih navodil	66			
<b>SL</b>	Preklad pôvodného návodu na použitie	70			

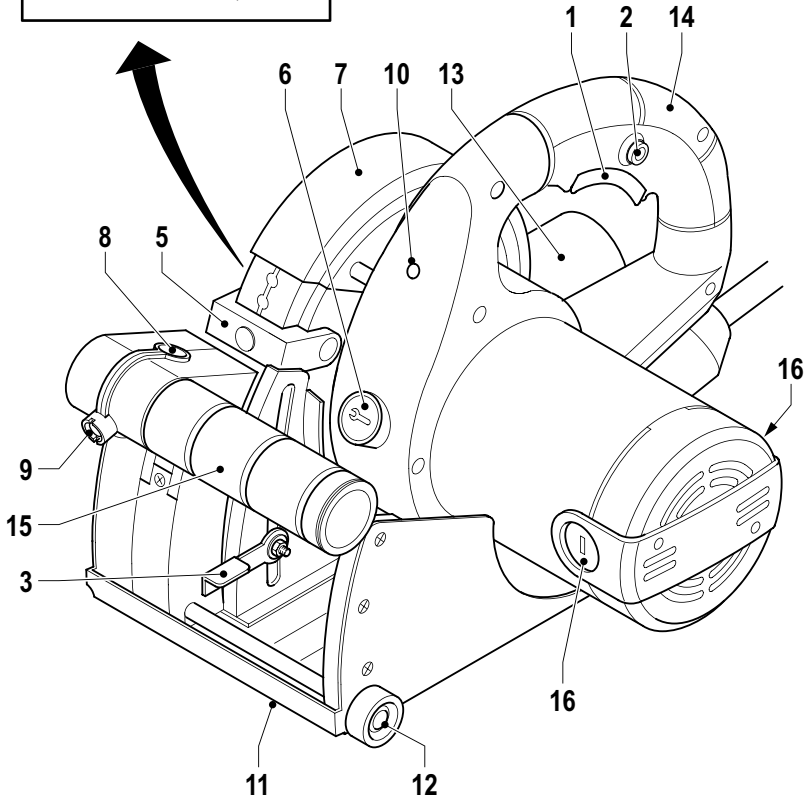
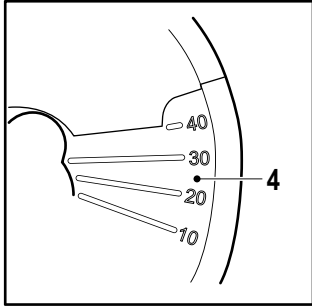
[WWW.FERM.COM](http://WWW.FERM.COM)

FACTORY GS TESTED

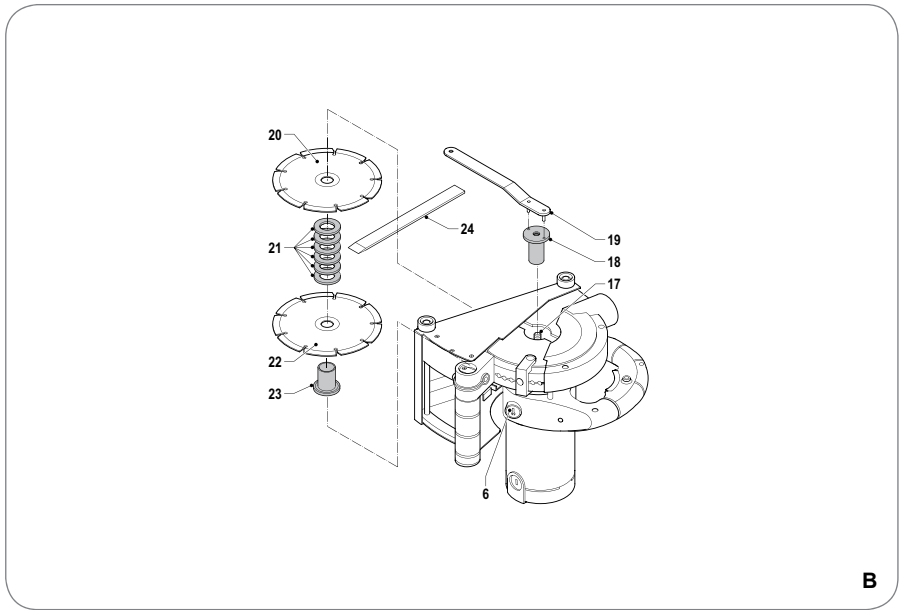
CE

WSM1008

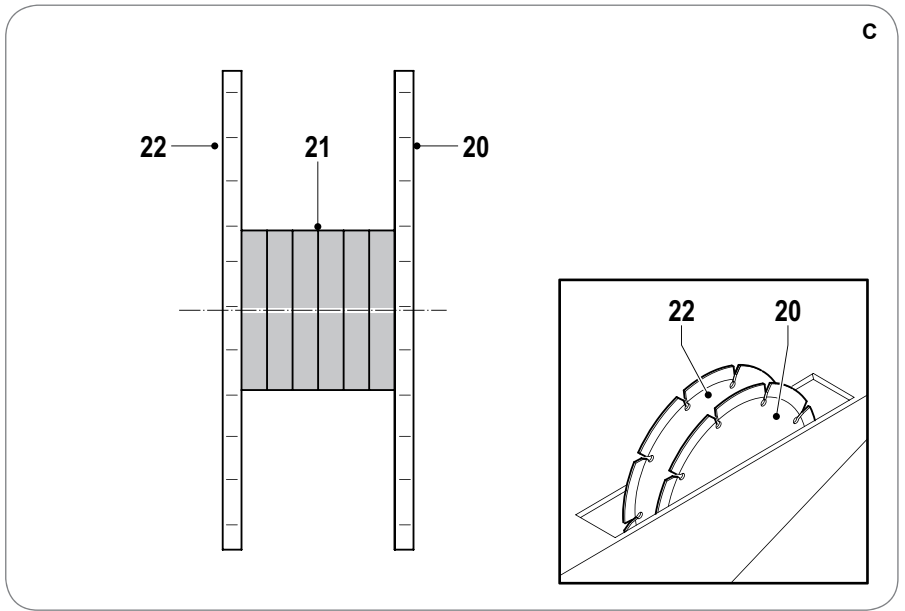




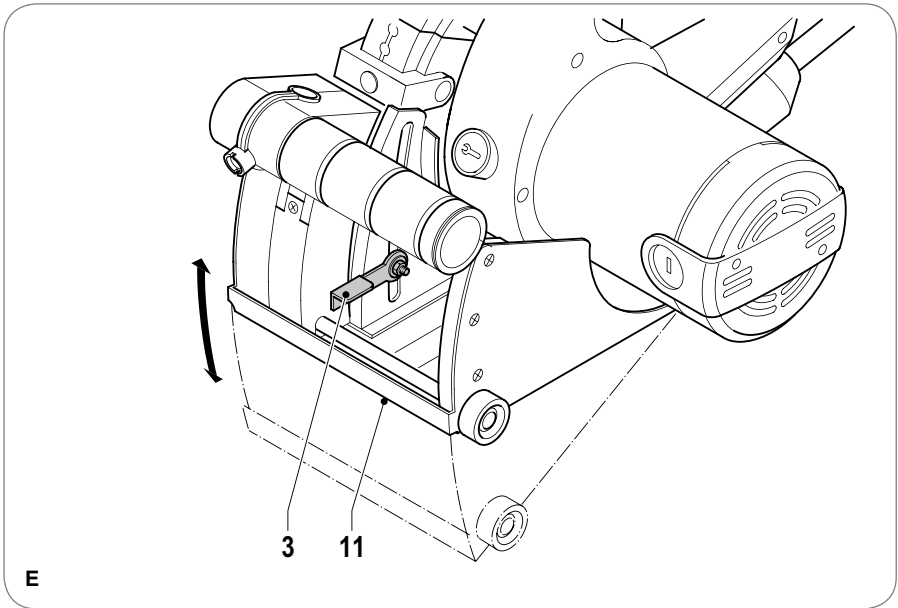
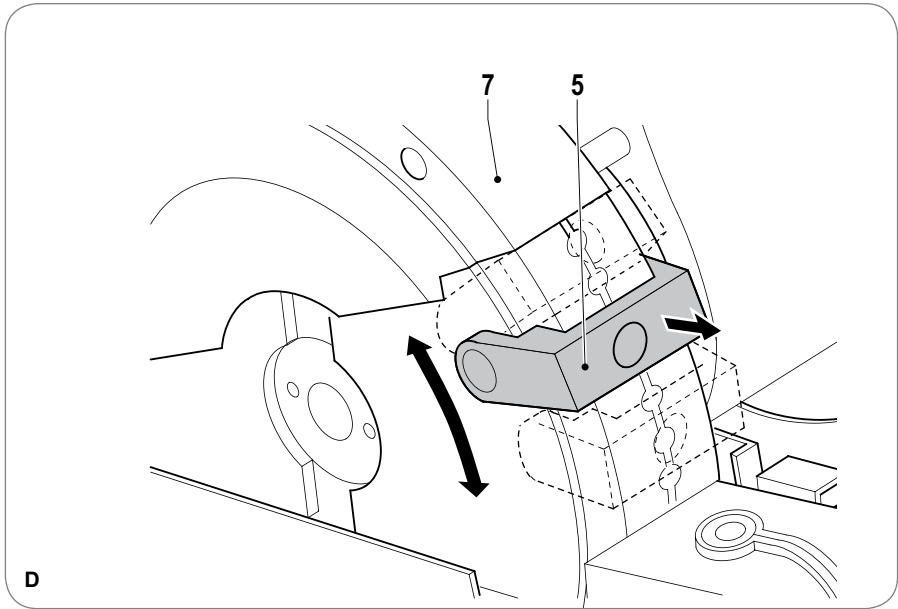
A

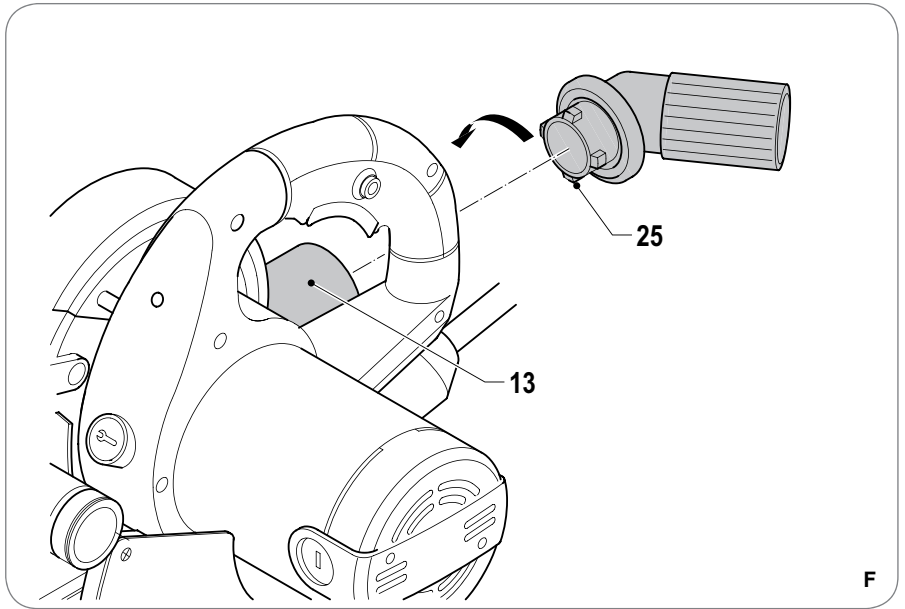


**B**



**C**





## WALL SLOTTER WSM1008

Thank you for buying this Ferm product. By doing so you now have an excellent product, delivered by one of Europe's leading suppliers. All products delivered to you by Ferm are manufactured according to the highest standards of performance and safety. As part of our philosophy we also provide an excellent customer service, backed by our comprehensive warranty. We hope you will enjoy using this product for many years to come.

### SAFETY WARNINGS



#### WARNING

*Read the enclosed safety warnings, the additional safety warnings and the instructions.*

*Failure to follow the safety warnings and the instructions may result in electric shock, fire and/or serious injury. Keep the safety warnings and the instructions for future reference.*

The following symbols are used in the user manual or on the product:



*Read the user manual.*



*Risk of personal injury.*



*Risk of electric shock.*



*Immediately remove the mains plug from the mains if the mains cable becomes damaged and during cleaning and maintenance.*



*Wear safety goggles.  
Wear hearing protection.*



*Wear a dust mask.*



*Caution: Laser beam! Do not look directly into the laser beam. Do not point the laser beam at humans or animals.*



*Risk of flying objects. Keep bystanders away from the work area.*



*Double insulated.*



*Do not dispose of the product in unsuitable containers.*



*The product is in accordance with the applicable safety standards in the European directives.*

#### Additional safety warnings for wall slotters

- Do not work materials containing asbestos. Asbestos is considered carcinogenic.
- Wear safety goggles, hearing protection and if necessary other protective means, such as safety gloves, safety shoes, etc.
- Before use, remove all nails and other metal objects from the wall.
- Be aware of hidden pipes and wiring when cutting slots into walls.
- Always hold the machine with two hands.
- Do not use the machine without the guard.
- Inspect the cutting discs before each use. Do not use cutting discs which are bent, cracked, or otherwise damaged.
- Make sure that the cutting discs are properly mounted.
- Make sure that the cutting discs rotate in the correct direction.
- Do not use the machine with the cutting discs facing upwards or to the side.
- Only use cutting discs that are suitable for use with the machine.
- Only use cutting discs with the correct dimensions.
- Do not use other accessories than cutting discs.
- Do not use the machine when a maximum slot depth is required that exceeds the maximum slot depth of the cutting discs.
- Make sure that your hands do not touch the rotating parts.
- Always work in the correct working direction (see indication on the base).
- Let the machine run at no load in a safe area after mounting the cutting discs. If the machine vibrates strongly, immediately switch off the machine, remove the mains plug from the mains, and try to solve the problem.
- Beware that the cutting discs continue to rotate for a short period after switching off the machine. Do not attempt to bring the cutting discs to a standstill yourself.
- Never put the machine down on a table or a workbench before it has been switched off.

## Kickback

Kickback is the upward and backward movement of the cutting discs when the cutting discs unexpectedly touch an object. Securely hold the machine with both hands during use. Keep your attention focused on the operation.

Kickback is usually caused by:

- unintentionally touching hard objects or materials with the rotating cutting discs;
- blunt cutting discs;
- cutting discs that are not properly mounted;
- cutting into a previous cut;
- a lack of attention to the operation;
- an instable stance.

## Additional safety warnings for lasers

- Do not look directly into the laser beam.
- Do not point the laser beam humans or animals.
- Do not point the laser beam at strongly reflecting material.
- Do not insert hard objects into the laser optics.
- Clean the laser optics with a soft, dry brush.
- Only have the laser repaired by a qualified technician.

## Electrical safety



*Always check that the voltage of the power supply corresponds to the voltage on the rating plate.*

- Do not use the machine if the mains cable or the mains plug is damaged.
- Only use extension cables that are suitable for the power rating of the machine with a minimum thickness of 1.5 mm<sup>2</sup>. If you use a extension cable reel, always fully unroll the cable.

## Mains plug replacement (UK only)

If the moulded 3-pin plug attached to the unit is damaged and needs replacing, it is important that it is correctly destroyed and replaced by an approved BS 1363/13A fused plug and that the following wiring instructions are followed.

The wires in the mains cable are coloured in accordance with the following code:

blue      neutral  
brown    live

As the colours of the wires in the mains cable of the unit may not correspond to the coloured markings identifying the terminals in the plug, proceed as follows:

- The wire which is coloured blue must be connected to the terminal which is marked with the letter N or coloured black.
- The wire which is coloured brown must be connected to the terminal which is marked with the letter L or coloured red.

## TECHNICAL DATA

### WSM1008

Mains voltage	V~	230
Mains frequency	Hz	50
Power input	W	1,600
No-load speed	min <sup>-1</sup>	6,000
Slot width	mm	8 - 30
Slot depth	mm	8 - 40
Cutting disc		
Diameter	mm	150
Bore	mm	22.2
Protection class	IP	20
Weight	kg	6.8

## NOISE AND VIBRATION

### WSM1008

Sound pressure (Lpa)	dB(A)	98.8
Acoustic power (Lwa)	dB(A)	109,8
Uncertainty (K)	dB(A)	3
Vibration (main grip)	m/s <sup>2</sup>	3.74
Vibration (auxiliary grip)	m/s <sup>2</sup>	3.50
Uncertainty (K)	m/s <sup>2</sup>	1.5



*Wear hearing protection.*

## Vibration level

The vibration emission level stated in this instruction manual has been measured in accordance with a standardised test given in EN 60745; it may be used to compare one tool with another and as a preliminary assessment of exposure to vibration when using the tool for the applications mentioned

- using the tool for different applications, or with different or poorly maintained accessories, may significantly increase the exposure level

- the times when the tool is switched off or when it is running but not actually doing the job, may significantly reduce the exposure level

Protect yourself against the effects of vibration by maintaining the tool and its accessories, keeping your hands warm, and organizing your work patterns

## DESCRIPTION (FIG. A)

Your wall slotter has been designed for making slots in masonry. The machine is only suitable for right-hand use.

1. On/off switch
2. Lock-off button
3. Locking lever for slot depth
4. Scale for slot depth
5. Depth stop
6. Spindle lock button
7. Guard
8. On/off switch for laser
9. Laser
10. Overload indicator
11. Base
12. Wheel (4x)
13. Dust extraction connection
14. Main grip
15. Auxiliary grip
16. Carbon brush holder

## ASSEMBLY



*Before assembly, always switch off the machine and remove the mains plug from the mains.*

### Replacing the cutting discs (fig. B)

Worn or damaged cutting discs must be replaced immediately.



- Only use sharp and undamaged cutting discs.
- Always replace both cutting discs at the same time.
- Never attempt to remove the guard.
- Keep the spindle lock button (6) pressed to lock the spindle (17).
- Loosen the outer flange (18) using the flange key (19).
- Remove the old cutting disc (20), the spacers (21), the old cutting disc (22), and the inner flange (23). If necessary, use the splitting wedge (24) to remove the spacers (21).

- If necessary, clean the flanges (18 & 23).
- Mount the inner flange (23), the new cutting disc (22), the spacers (21), and the new cutting disc (20).
- Firmly tighten the outer flange (18) using the flange key (19).
- Release the spindle lock button (6).

## USE

### Setting the slot width (fig. C)

The slot width can be set using the spacers between the cutting discs. The number of spacers between the cutting discs determine the slot width.



- Do not set the slot width during use.
- Always mount at least one spacer between the cutting discs.
- Determine the slot width.
- Mount the required amount of spacers (21) between the cutting discs (20 & 22). Refer to the chapter "Replacing the cutting discs".

### Setting the depth stop (fig. A & D)

The depth stop restricts the maximum slot depth during use to prevent the machine from cutting too deeply into the wall. The slot depth can be read from the scale (4).



*Do not set the depth stop during use.*

- Slightly lift the depth stop (5) from the guard (7).
- Set the depth stop (5) to the required position.
- Release the depth stop (5) to lock it into the correct position.

### Setting the slot depth (fig. A & E)

The slot depth is variable between 0 and 40 mm. The slot depth can be read from the scale (4).



*Do not set the slot depth during use.*

- Slacken the locking lever (3).
- Tilt the base (11) to the required position.
- Tighten the locking lever (3).



### Switching on and off (fig. A)

- To switch on the machine, keep the lock-off button (2) pressed and simultaneously press the on/off switch (1).
- To switch off the machine, release the on/off switch (1).

### Using the laser (fig. A)

The laser is used for projection of the cut on the wall.

- To switch on the laser (9), press the on/off switch (8).
- To switch off the laser (9), release the on/off switch (8).

### Overload indicator (fig. A)

The overload indicator (10) indicates whether the machine is overloaded.

- If the machine is switched on, the overload indicator (10) flashes green 3 times.
- If the overload indicator (10) lights green, the machine is not overloaded. The machine can be used normally.
- If the overload indicator (10) flashes red, the machine is overloaded. Apply less pressure on the machine.
- If the overload indicator (10) lights red, the machine is fully overloaded. The machine will be switched off.

### Dust extraction (fig. F)

Only use the machine when it is connected to a vacuum device which is approved for stone dust. The vacuum device must be suitable for the material to be worked. Use a special vacuum device when working with toxic materials or where toxic dust is produced.



- Never use a household vacuum cleaner. The use of a household vacuum cleaner can easily damage both your health and the vacuum cleaner.
- Always use the dust extraction adapter.
- Make sure that the hose of the vacuum device is securely connected to the dust extraction adapter.
- If the vacuum device breaks down, stop work immediately, switch off the machine, remove the mains plug from the mains, and try to solve the problem.
- Insert the dust extraction adapter (25) into the dust extraction connection (13).
- Tighten the dust extraction adapter (25) by turning it clockwise until it locks into place.

- Connect the hose of a vacuum device to the dust extraction adapter (25).

### Hints for optimum use

- Draw lines to define the direction in which to guide the cutting discs.
- Hold the machine with both hands.
- Set the slot width.
- Set the depth stop.
- Take one of the following steps:
  - Lower the machine into the wall and set the slot depth (recommended). The machine is placed against the wall and the cutting discs lower into the wall in order to set the slot depth more accurately.
  - Set the slot depth and lower the machine into the wall.
- Place the machine with the wheels on the wall. Make sure that the cutting discs align with the drawn lines on the wall.
- Set the slot depth.
- Switch on the machine.
- Wait until the machine has reached full speed.
- Slowly move the machine along the pre-drawn lines, firmly pressing the wheels against the wall.
- Do not apply too much pressure on the machine. Let the machine do the work.
- Switch off the machine and wait for the machine to come to a complete standstill before putting the machine down.

## CLEANING AND MAINTENANCE



*Before cleaning and maintenance, always switch off the machine and remove the mains plug from the mains.*

- Regularly clean the housing with a soft cloth.
- Keep the ventilation slots free from dust and dirt. If necessary, use a soft, moist cloth to remove dust and dirt from the ventilation slots.
- Regularly clean the cutting discs to avoid inaccuracies during use.

### Checking and replacing the carbon brushes (fig. A)

The carbon brushes must be checked regularly. If the carbon brushes are worn, the machine will start to run unevenly.



*Only use the correct type of carbon brushes.*

- Remove the carbon brush holders (16) using a screwdriver.
- Clean the carbon brushes.
- In case of wear, replace both carbon brushes at the same time.
- Mount the carbon brush holders (16) using a screwdriver.
- After mounting the new carbon brushes, let the machine run at no load for 15 minutes.

## WARRANTY

Consult the enclosed warranty terms.

## ENVIRONMENT

### Disposal



The product, the accessories, and the packaging must be sorted for environmentally friendly recycling.

### Only for EC countries

Do not dispose of power tools into domestic waste. According to the European Guideline 2002/96/EC for Waste Electrical and Electronic Equipment and its implementation into national right, power tools that are no longer usable must be collected separately and disposed of in an environmentally friendly way.

The product and the user manual are subject to change. Specifications can be changed without further notice.

## MAUERNUTFRÄSE WSM1008

Vielen Dank für den Kauf dieses Ferm Produkts. Hiermit haben Sie ein ausgezeichnetes Produkt erworben, dass von einem der führenden Lieferanten Europas geliefert wird. Alle von Ferm an Sie gelieferten Produkte sind nach den höchsten Standards von Leistung und Sicherheit gefertigt. Teil unserer Firmenphilosophie ist es auch, Ihnen einen ausgezeichneten Kundendienst anbieten zu können, der von unserer umfassenden Garantie unterstützt wird. Wir hoffen, dass Sie viele Jahre Freude an diesem Produkt haben.

## SICHERHEITSHINWEISE



### ACHTUNG

*Lesen Sie die beiliegenden Sicherheitsanweisungen, die zusätzlichen Sicherheitsanweisungen sowie die Bedienungsanleitung.*

*Das Nichtbeachten der Sicherheitsanweisungen und der Bedienungsanleitung kann zu einem Stromschlag, Feuer und/oder schweren Verletzungen führen. Bewahren Sie die Sicherheitsanweisungen und die Bedienungsanleitung zur künftigen Bezugnahme auf.*

Folgende Symbole werden im Benutzerhandbuch oder auf dem Produkt verwendet:



*Lesen Sie das Benutzerhandbuch.*



*Gefahr von Personenverletzungen.*



*Gefahr eines Stromschlags.*



*Ziehen Sie sofort den Netzstecker aus der Steckdose, falls das Netzkabel beschädigt wird sowie bei der Reinigung und Wartung.*



*Tragen Sie eine Schutzbrille. Tragen Sie einen Gehörschutz.*



*Tragen Sie eine Staubmaske.*



**Vorsicht: Laserstrahl! Schauen Sie nicht direkt in den Laserstrahl. Richten Sie den Laserstrahl nicht auf Personen oder Tiere.**



**Gefahr von herumfliegenden Gegenständen. Halten Sie Unbeteiligte vom Arbeitsbereich fern.**



**Schutzisoliert.**



**Entsorgen Sie das Produkt nicht in hierfür nicht vorgesehene Abfallbehältern.**



**Das Produkt entspricht den geltenden Sicherheitsnormen der europäischen Richtlinien.**

### **Zusätzliche Sicherheitshinweise für Mauernutfräsen**

- Bearbeiten Sie keine asbesthaltigen Materialien. Asbest wird als krebserregend eingestuft.
- Tragen Sie eine Schutzbrille, einen Gehörschutz und gegebenenfalls weitere Schutzausrüstung wie Sicherheitshandschuhe, Sicherheitsschuhe, usw.
- Entfernen Sie vor dem Gebrauch alle Nägel und sonstigen Gegenstände aus der Wand.
- Achten Sie beim Fräsen von Schlitz in Wände auf versteckte Rohrleitungen und Drähte.
- Halten Sie die Maschine stets mit beiden Händen fest.
- Verwenden Sie die Maschine nicht ohne Schutzvorrichtung.
- Überprüfen Sie die Schneidscheiben vor jedem Gebrauch. Verwenden Sie keine verbogenen, gerissenen oder anderweitig beschädigten Schneidscheiben.
- Vergewissern Sie sich, dass die Schneidscheiben richtig angebracht sind.
- Vergewissern Sie sich, dass sich die Schneidscheiben in die richtige Richtung drehen.
- Verwenden Sie die Maschine nicht mit den Schneidscheiben nach oben oder zur Seite weisend.
- Verwenden Sie nur Schneidscheiben, die für den Gebrauch mit der Maschine geeignet sind.
- Verwenden Sie nur Schneidscheiben mit den richtigen Maßen.

- Verwenden Sie kein anderes Zubehör als Schneidscheiben.
- Verwenden Sie die Maschine nicht, wenn eine maximale Schlitztiefe erforderlich ist, die die maximale Schlitztiefe der Schneidscheiben überschreitet.
- Achten Sie darauf, dass Ihre Hände nicht die rotierenden Teile berühren.
- Arbeiten Sie stets in der richtigen Arbeitsrichtung (siehe Anzeige auf dem Gerätefuß).
- Lassen Sie die Maschine nach dem Anbringen der Schneidscheiben in einem sicheren Bereich im Leerlauf laufen. Vibriert die Maschine stark, schalten Sie sie sofort aus, ziehen Sie den Netzstecker aus der Steckdose und versuchen Sie, das Problem zu beheben.
- Seien Sie sich darüber im Klaren, dass die Schneidscheiben nach dem Abschalten der Maschine noch etwas nachlaufen. Versuchen Sie nicht, die Schneidscheiben selbst zum Stillstand zu bekommen.
- Legen Sie die Maschine niemals auf einem Tisch oder einer Werkbank ab, bevor sie nicht abgeschaltet wurde.

### **Rückschlag**

Als Rückschlag wird die Auf- und Rückwärtsbewegung der Schneidscheiben bezeichnet, wenn diese unerwartet auf einen Gegenstand treffen. Halten Sie die Maschine beim Gebrauch sicher mit beiden Händen fest. Konzentrieren Sie sich auf die Arbeit.

Ein Rückschlag wird normalerweise verursacht durch:

- ein unbeabsichtigtes Berühren harter Gegenstände oder Materialien mit den rotierenden Schneidscheiben;
- stumpfe Schneidscheiben;
- Schneidscheiben, die nicht richtig montiert sind;
- Fräsen in einem vorherigen Schnitt;
- mangelnde Aufmerksamkeit bei der Arbeit;
- eine instabile Haltung.

### **Zusätzliche Sicherheitshinweise für Laser**

- Schauen Sie nicht direkt in den Laserstrahl.
- Richten Sie den Laserstrahl nicht auf Personen oder Tiere.
- Richten Sie den Laserstrahl nicht auf stark reflektierende Materialien.
- Stecken Sie keine harten Gegenstände in die Laseroptik.

- Reinigen Sie die Laseroptik mit einer weichen trockenen Bürste.
- Lassen sie den Laser nur von einem qualifizierten Techniker reparieren.

### Elektrische sicherheit



*Achten Sie stets darauf, dass die Spannung der Stromversorgung mit der Spannung auf dem Typenschild übereinstimmt.*

- Verwenden Sie die Maschine nicht, wenn das Netzkabel oder der Netzstecker beschädigt ist.
- Verwenden Sie nur Verlängerungskabel, die für die Leistungsaufnahme der Maschine geeignet sind und eine Mindestaderstärke von 1,5 mm<sup>2</sup> haben. Falls Sie eine Kabeltrommel verwenden, rollen Sie das Kabel immer vollständig ab.

### TECHNISCHE DATEN

#### WSM1008

Netzspannung	V~	230
Netzfrequenz	Hz	50
Leistungsaufnahme	W	1.600
Leerlaufgeschwindigkeit	min <sup>-1</sup>	6.000
Schlitzbreite	mm	8 - 30
Schlitztiefe	mm	8 - 40
Schneidscheibe		
Durchmesser	mm	150
Bohrung	mm	22,2
Schutzklasse	IP	20
Gewicht	kg	6,8

### LÄRM UND VIBRATIONEN

#### WSM1008

Schalldruck (L <sub>pa</sub> )	dB(A)	98,8
Schalleistung (L <sub>wa</sub> )	dB(A)	109,8
Unsicherheitsfaktor (K)	dB(A)	3
Vibration (Hauptgriff)	m/s <sup>2</sup>	3,74
Vibration (Zusatzgriff)	m/s <sup>2</sup>	3,50
Unsicherheitsfaktor (K)	m/s <sup>2</sup>	1,5



*Tragen Sie einen Gehörschutz.*

### Vibrationsstufe

Die im dieser Bedienungsanleitung angegebene Vibrationsemissionsstufe wurde mit einem standardisierten Test gemäß EN 60745 gemessen; Sie kann verwendet werden, um ein Werkzeug mit einem anderen zu vergleichen und als vorläufige Beurteilung der Vibrationsexposition bei Verwendung des Werkzeugs für die angegebenen Anwendungszwecke

- die Verwendung des Werkzeugs für andere Anwendungen oder mit anderem oder schlecht gewartetem Zubehör kann die Expositionsstufe erheblich erhöhen
- Zeiten, zu denen das Werkzeug ausgeschaltet ist, oder wenn es läuft aber eigentlich nicht eingesetzt wird, können die Expositionsstufe erheblich verringern

Schützen Sie sich vor den Auswirkungen der Vibration durch Wartung des Werkzeugs und des Zubehörs, halten Sie Ihre Hände warm und organisieren Sie Ihren Arbeitsablauf

### BESCHREIBUNG (ABB. A)

Ihre Mauernutfräse wurde konstruiert, um Schlitzte in Mauerwerk zu fräsen. Die Maschine eignet sich nur für rechtshändigen Gebrauch.

1. Ein-/Aus-Schalter
2. Einschaltsperr
3. Sicherungshebel für Schlitztiefe
4. Skala für Schlitztiefe
5. Tiefenanschlag
6. Spindelarretierungsknopf
7. Schutzvorrichtung
8. Ein-/Aus-Schalter für Laser
9. Laser
10. Überlastungsanzeige
11. Gerätefuß
12. Rad (4x)
13. Staubabsauganschluss
14. Hauptgriff
15. Zusatzgriff
16. Kohlebürstenhalter

### MONTAGE



*Schalten Sie die Maschine vor der Montage aus und ziehen Sie den Netzstecker aus der Steckdose.*

## Erneuern der Schneidscheiben (Abb. B)

Verschlossene oder beschädigte Schneidscheiben müssen unverzüglich erneuert werden.



- Verwenden Sie ausschließlich scharfe und unbeschädigte Schneidscheiben.
- Erneuern Sie stets beide Schneidscheiben gleichzeitig.
- Versuchen Sie niemals, die Schutzvorrichtung zu entfernen.
- Halten Sie die Spindelarretierungstaste (6) gedrückt, um die Spindel (17) zu arretieren.
- Lösen Sie den Außenflansch (18) mit dem Flanschschlüssel (19).
- Entfernen Sie die alte Schneidscheibe (20), die Abstandsstücke (21), die alte Schneidscheibe (22) und den Innenflansch (23). Verwenden Sie gegebenenfalls den Spaltkeil (24), um die Abstandsstücke (21) zu entfernen.
- Reinigen Sie gegebenenfalls die Flansche (18 & 23).
- Montieren Sie den Innenflansch (23), die neue Schneidscheibe (22), die Abstandsstücke (21) und die neue Schneidscheibe (20).
- Ziehen Sie den Außenflansch (18) mit dem Flanschschlüssel (19) fest an.
- Geben Sie die Spindelarretierungstaste (6) frei.

## GEBRAUCH

### Einstellung der Schlitzbreite (Abb. C)

Die Schlitzbreite lässt sich durch Verwendung der Abstandsstücke zwischen den Schneidscheiben einstellen. Die Anzahl der Abstandsstücke zwischen den Schneidscheiben bestimmt die Schlitzbreite.



- Stellen Sie die Schlitzbreite nicht während des Gebrauchs ein.
- Bringen Sie mindestens ein Abstandsstück zwischen den Schneidscheiben an.
- Legen Sie die Schlitzbreite fest.
- Montieren Sie die erforderliche Anzahl an Abstandsstücken (21) zwischen den Schneidscheiben (20 & 22). Schlagen Sie im Kapitel "Erneuerung der Schneidscheiben" nach.

### Einstellung des Tiefenanschlags (Abb. A & D)

Der Tiefenanschlag beschränkt die maximale Schlitztiefe beim Gebrauch, um zu verhindern, dass die Maschine zu tief in die Wand fräst. Die Schlitztiefe kann auf der Skala (4) abgelesen werden.



*Stellen Sie den Tiefenanschlag nicht während des Gebrauchs ein.*

- Heben Sie den Tiefenanschlag (5) etwas von der Schutzvorrichtung (7) ab.
- Stellen Sie den Tiefenanschlag (5) auf die erforderliche Position.
- Lassen Sie den Tiefenanschlag (5) los, um ihn in der richtigen Position zu sichern.

### Einstellung der Schlitztiefe (Abb. A & E)

Die Schlitztiefe ist zwischen 0 und 40 mm einstellbar und kann auf der Skala (4) abgelesen werden.



*Stellen Sie die Schlitztiefe nicht während des Gebrauchs ein.*

- Lösen Sie den Sicherungshebel (3).
- Schwenken Sie den Maschinenfuß (11) in die erforderliche Position.
- Ziehen Sie den Sicherungshebel (3) an.

### Ein- und Ausschalten (Abb. A)

- Um die Maschine einzuschalten, halten Sie die Einschaltsperrle (2) gedrückt und drücken Sie gleichzeitig auf den Ein-/Aus-Schalter (1).
- Um die Maschine auszuschalten, lassen Sie den Ein-/Aus-Schalter (1) los.

### Verwendung des Lasers (Abb. A)

Der Laser wird verwendet, um den Schnitt auf die Wand zu projizieren.

- Um den Laser (9) einzuschalten, drücken Sie auf den Ein-/Aus-Schalter (8).
- Um den Laser (9) auszuschalten, lassen Sie den Ein-/Aus-Schalter (8) los.

### Überlastungsanzeige (Abb. A)

Die Überlastungsanzeige (10) zeigt an, ob die Maschine überlastet wird.

- Wird die Maschine eingeschaltet, blinkt die Überlastungsanzeige (10) dreimal grün.
- Leuchtet die Überlastungsanzeige (10) grün, wird die Maschine nicht überlastet. Die Maschine kann normal verwendet werden.
- Blinkt die Überlastungsanzeige (10) rot, wird die Maschine überlastet. Wenden Sie weniger Druck auf die Maschine an.

- Leuchtet die Überlastungsanzeige (10) rot, wird die Maschine voll überlastet. Die Maschine wird abgeschaltet.

### **Staubabsaugung (Abb. F)**

Verwenden Sie die Maschine nur, wenn sie an einer Absaugvorrichtung angeschlossen ist, die für Feinstaub zugelassen ist.

Die Absaugvorrichtung muss für das zu bearbeitende Material geeignet sein. Verwenden Sie eine spezielle Absaugvorrichtung, wenn Sie mit giftigen Materialien arbeiten oder wenn giftiger Staub verursacht wird.



- Verwenden Sie niemals einen Haushaltsstaubsauger. Durch die Verwendung eines Haushaltsstaubsaugers schaden Sie sowohl Ihrer Gesundheit als auch dem Staubsauger.
- Verwenden Sie stets den Staubabsaugadapter.
- Vergewissern Sie sich, dass der Schlauch der Absaugvorrichtung sicher mit dem Staubabsaugadapter verbunden ist.
- Falls die Absaugvorrichtung ausfällt, stellen Sie die Arbeit unverzüglich ein, schalten Sie die Maschine aus, ziehen Sie den Netzstecker aus der Steckdose und versuchen Sie, das Problem zu beheben.
- Stecken Sie den Staubabsaugadapter (25) in die Staubabsaugverbindung (13).
- Ziehen Sie den Staubabsaugadapter (25) durch Drehen im Uhrzeigersinn an, bis er in seiner Lage arretiert.
- Verbinden Sie den Schlauch einer Absaugvorrichtung mit dem Staubabsaugadapter (25).

### **Hinweise für optimale Arbeitsergebnisse**

- Zeichnen Sie Linien, um die Richtung vorzugeben, in der die Schneidscheiben geführt werden.
- Halten Sie die Maschine mit beiden Händen fest.
- Stellen Sie die Schlitzbreite ein.
- Stellen Sie den Tiefenanschlag ein.
- Führen Sie einen der folgenden Schritte durch:
  - Senken Sie die Maschine in die Wand und stellen Sie die Schlitztiefe (empfohlen) ein. Die Maschine wird gegen die Wand gehalten und die Schneidscheiben werden in die Wand gesenkt, um die Schlitztiefe noch genauer einzustellen.
  - Stellen Sie die Schlitztiefe ein und senken Sie die Maschine in die Wand.

- Halten Sie die Maschine mit den Rädern an die Wand. Vergewissern Sie sich, dass die Schneidscheiben mit den auf die Wand gezeichneten Linien übereinstimmen.
- Stellen Sie die Schlitztiefe ein.
- Schalten Sie die Maschine ein.
- Warten Sie, bis die Maschine ihre volle Geschwindigkeit erreicht hat.
- Bewegen Sie die Maschine langsam die gezeichnete Linie entlang, wobei Sie die Räder fest gegen die Wand drücken.
- Üben Sie nicht zu viel Druck auf die Maschine aus. Lassen Sie die Maschine die Arbeit verrichten.
- Schalten Sie die Maschine aus und warten Sie, bis sie vollkommen zum Stillstand gekommen ist, bevor Sie sie ablegen.

## **REINIGUNG UND WARTUNG**



*Schalten Sie die Maschine vor der Reinigung und Wartung immer aus und ziehen Sie den Netzstecker aus der Steckdose.*

- Reinigen Sie das Gehäuse regelmäßig mit einem weichen Lappen.
- Halten Sie die Belüftungsschlitze staub- und schmutzfrei. Verwenden Sie gegebenenfalls einen weichen feuchten Lappen, um den Staub und Schmutz aus den Ventilationsschlitzen zu entfernen.
- Reinigen Sie regelmäßig die Schneidscheiben, um Ungenauigkeiten beim Gebrauch zu vermeiden.

### **Überprüfung und Erneuerung der Kohlebürsten (Abb. A)**

Die Kohlebürsten müssen regelmäßig kontrolliert werden. Sind die Kohlebürsten verschlissen, beginnt die Maschine, unruhig zu laufen.



*Verwenden Sie nur den richtigen Typ Kohlebürsten.*

- Entfernen Sie die Kohlebürstenhalter (16) mit einem Schraubendreher.
- Reinigen Sie die Kohlebürsten.
- Erneuern Sie beide Kohlebürsten zur gleichen Zeit, wenn diese verschlissen sind.
- Bringen Sie die Kohlebürstenhalter (16) mit einem Schraubendreher an.
- Lassen Sie die Maschine nach dem Anbringen der neuen Kohlebürsten 15 Minuten im Leerlauf laufen.

## GARANTIE

Schlagen Sie in den beigefügten Garantiebedingungen nach.

## UMWELT

### Entsorgung



Das Produkt, sein Zubehör sowie die Verpackung müssen für ein umweltfreundliches Recycling getrennt entsorgt werden.

### Nur für EG-Länder

Entsorgen Sie Elektrowerkzeuge nicht über den Hausmüll. Entsprechend der Europäischen Richtlinie 2002/96/EG für Elektro- und Elektronikschrott sowie der Einführung in das nationale Recht müssen Elektrowerkzeuge, die nicht mehr im Gebrauch sind, getrennt gesammelt und umweltfreundlich entsorgt werden.

Das Produkt und das Benutzerhandbuch können geändert werden. Die technischen Daten können ohne Vorankündigung geändert werden.

## MUURFREES WSM1008

Hartelijk dank voor de aanschaf van dit Ferm product.

Hiermee heeft u een uitstekend product aangeschaft van één van de toonaangevende Europese distributeurs.

Alle Ferm producten worden gefabriceerd volgens de hoogste prestatie- en veiligheidsnormen. Deel van onze filosofie is de uitstekende klantenservice die wordt ondersteund door onze uitgebreide garantie.

Wij hopen dat u vele jaren naar tevredenheid gebruik zult maken van dit product.

## VEILIGHEIDSVOORSCHRIFTEN



### WAARSCHUWING

*Lees de bijgesloten veiligheidsvoorschriften, de aanvullende veiligheidsvoorschriften en de instructies.*

*Het niet in acht nemen van de veiligheidsvoorschriften en de instructies kan leiden tot elektrische schok, brand en/of ernstig letsel.*

*Bewaar de veiligheidsvoorschriften en de instructies voor toekomstig gebruik.*

De volgende symbolen worden gebruikt in de gebruikershandleiding of op het product:



*Lees de gebruikershandleiding.*



*Gevaar voor persoonlijk letsel.*



*Gevaar voor elektrische schok.*



*Verwijder onmiddellijk de netstekker uit het stopcontact indien de netkabel beschadigd raakt en tijdens reiniging en onderhoud.*



*Draag een veiligheidsbril.  
Draag gehoorbescherming.*



*Draag een stofmasker.*



*Voorzichtig: Laserstraal! Kijk niet direct in de laserstraal. Richt de laserstraal niet op mensen of dieren.*



*Gevaar voor rondvliegende voorwerpen. Houd omstanders uit de buurt van het werkgebied.*



*Dubbel geïsoleerd.*



*Werp het product niet weg in ongeschikte containers.*



*Het product is in overeenstemming met de van toepassing zijnde veiligheidsnormen in de Europese richtlijnen.*

**Aanvullende veiligheidsvoorschriften voor muurfrezen**

- Bewerk geen materialen die asbest bevatten. Asbest wordt als kankerverwekkend beschouwd.
- Draag een veiligheidsbril, gehoorbescherming en indien nodig andere beschermingsmiddelen, zoals veiligheidshandschoenen, veiligheidsschoenen, etc.
- Verwijder voor gebruik alle spijkers en andere metalen voorwerpen uit de muur.
- Wees bewust van verborgen leidingen en bedrading bij het frezen van sleuven in muren.
- Houd de machine altijd met twee handen vast.
- Gebruik de machine niet zonder de beschermkap.
- Controleer de doorslijpschijven voor ieder gebruik. Gebruik geen doorslijpschijven die verbogen, vervormd of op andere wijze zijn beschadigd.
- Zorg ervoor dat de doorslijpschijven correct zijn gemonteerd.
- Zorg ervoor dat de doorslijpschijven in de juiste richting draaien.
- Gebruik de machine niet met de doorslijpschijven naar boven of zijwaarts gericht.
- Gebruik uitsluitend doorslijpschijven die geschikt zijn voor gebruik met de machine.
- Gebruik uitsluitend doorslijpschijven met de juiste afmetingen.
- Gebruik geen andere accessoires dan doorslijpschijven.
- Gebruik de machine niet wanneer een maximale sleufdiepte nodig is die hoger is dan de maximale sleufdiepte van de doorslijpschijven.
- Zorg ervoor dat uw handen niet in aanraking komen met de draaiende delen.

- Werk altijd in de juiste werkrichting (zie indicatie op de zool).
- Laat na het monteren van de doorslijpschijven de machine onbelast draaien op een veilige plek. Indien de machine sterk vibreert, schakel dan onmiddellijk de machine uit, verwijder de netstekker uit het stopcontact en probeer het probleem te verhelpen.
- Wees erop bedacht dat de doorslijpschijven na het uitschakelen van de machine nog korte tijd blijven doordraaien. Probeer niet zelf de doorslijpschijven tot stilstand te brengen.
- Zet de machine nooit neer op een tafel of een werkbank voordat deze is uitgeschakeld.

**Terugslag**

Terugslag is de op- en achterwaartse beweging die de doorslijpschijven maken wanneer de doorslijpschijven onverwachts met een voorwerp in aanraking komen. Houd de machine tijdens gebruik stevig met beide handen vast. Houd uw aandacht bij de werkzaamheden.

Terugslag wordt meestal veroorzaakt door:

- het met de draaiende doorslijpschijven onbedoeld raken van harde voorwerpen of materialen;
- botte doorslijpschijven;
- verkeerd gemonteerde doorslijpschijven;
- nogmaals door een bestaande snede gaan;
- gebrek aan aandacht bij de werkzaamheden;
- een instabiele werkhouding.

**Aanvullende veiligheidsvoorschriften voor lasers**

- Kijk niet direct in de laserstraal.
- Richt de laserstraal niet op mensen of dieren.
- Richt de laserstraal niet op sterk reflecterend materiaal.
- Plaats geen harde voorwerpen in de laseroptiek.
- Reinig de laseroptiek met een zachte, droge borstel.
- Laat de laser uitsluitend repareren door een bevoegd technicus.

**Elektrische veiligheid**



*Controleer altijd of de spanning van de stroomtoevoer overeenkomt met de spanning op het typeplaatje.*

- Gebruik de machine niet indien het netsnoer of de netstekker zijn beschadigd.



- Gebruik uitsluitend verlengkabels die geschikt zijn voor het vermogen van de machine met een minimale dikte van 1,5 mm<sup>2</sup>. Indien u een verlengkabelhaspel gebruikt, rol dan altijd de kabel volledig uit.

wanneer deze loopt maar geen werk verricht, kan dit het blootstellingsniveau aanzienlijk reduceren

Bescherm uzelf tegen de gevolgen van trilling door de machine en de accessoires te onderhouden, uw handen warm te houden en uw werkwijze te organiseren

## TECHNISCHE GEGEVENS

### WSM1008

Netspanning	V~	230
Netfrequentie	Hz	50
Ingangsspanning	W	1.600
Toerental onbelast	min <sup>-1</sup>	6.000
Sleufbreedte	mm	8 - 30
Sleufdiepte	mm	8 - 40
Doorslijpschijf		
Diameter	mm	150
Asgat	mm	22,2
Beschermingsklasse	IP	20
Gewicht	kg	6,8

## GELUID EN VIBRATIE

### WSM1008

Geluidsdruk (Lpa)	dB(A)	98,8
Geluidsvermogen (Lwa)	dB(A)	109,8
Onzekerheid (K)	dB(A)	3
Vibratie (hoofdhandgreep)	m/s <sup>2</sup>	3,74
Vibratie (extra handgreep)	m/s <sup>2</sup>	3,50
Onzekerheid (K)	m/s <sup>2</sup>	1,5



*Draag gehoorbescherming.*

## Trillingsniveau

Het trillingsemisniveau, dat in deze gebruiksaanwijzing wordt vermeld, is gemeten in overeenstemming met een gestandaardiseerde test volgens EN 60745; deze mag worden gebruikt om twee machines met elkaar te vergelijken en als voorlopige beoordeling van de blootstelling aan trilling bij gebruik van de machine voor de vermelde toepassingen

- gebruik van de machine voor andere toepassingen, of met andere of slecht onderhouden accessoires, kan het blootstellingsniveau aanzienlijk verhogen
- wanneer de machine is uitgeschakeld of

## BESCHRIJVING (FIG. A)

Uw muurfrees is ontworpen voor het maken van sleuven in metselwerk. De machine is uitsluitend geschikt voor rechtshandig gebruik.

1. Aan/uit-schakelaar
2. Ontgrendelingsknop
3. Vergrendelingshendel voor sleufdiepte
4. Schaal voor sleufdiepte
5. Diepteaanslag
6. Asvergrendelingsknop
7. Beschermkap
8. Aan/uit-schakelaar voor laser
9. Laser
10. Overbelastingsindicator
11. Zool
12. Wiel (4x)
13. Stofafzuigaansluiting
14. Hoofdhandgreep
15. Extra handgreep
16. Koolborstelhouder

## ASSEMBLAGE



*Schakel voor assemblage altijd de machine uit en verwijder de netstekker uit het stopcontact.*

## Vervangen van de doorslijpschijven (fig. B)

Versleten of beschadigde doorslijpschijven moeten onmiddellijk worden vervangen.



- Gebruik uitsluitend scherpe en onbeschadigde doorslijpschijven.
- Vervang beide doorslijpschijven altijd tegelijkertijd.
- Probeer nooit de beschermkap te verwijderen.
- Houd de asvergrendelingsknop (6) ingedrukt om de as (17) te vergrendelen.
- Draai de buitenste flens (18) los met behulp van de flenssleutel (19).

- Verwijder de oude doorslijpschijf (20), de afstandsringen (21), de oude doorslijpschijf (22) en de binnenste flens (23). Gebruik indien nodig de splijtwig (24) om de afstandsringen (21) te verwijderen.
- Reinig indien nodig de flenzen (18 & 23).
- Monteer de binnenste flens (23), de nieuwe doorslijpschijf (22), de afstandsringen (21) en de nieuwe doorslijpschijf (20).
- Draai de buitenste flens (18) stevig vast met behulp van de flenssleutel (19).
- Laat de asvergrendelingsknop (6) los.

## GEBRUIK

### Instellen van de sleufbreedte (fig. C)

De sleufbreedte kan worden ingesteld met behulp van de afstandsringen tussen de doorslijpschijven. Het aantal afstandsringen tussen de doorslijpschijven bepaalt de sleufbreedte.



- Stel de sleufbreedte niet in tijdens gebruik.
- Monteer altijd minimaal één afstandsring tussen de doorslijpschijven.
- Bepaal de sleufbreedte.
- Monteer het gewenste aantal afstandsringen (21) tussen de doorslijpschijven (20 & 22). Zie het hoofdstuk "Vervangen van de doorslijpschijven".

### Instellen van de diepteanslag (fig. A & D)

De diepteanslag beperkt de maximale sleufdiepte tijdens gebruik om te voorkomen dat de machine te diep in de muur gaat. De sleufdiepte kan worden afgelezen op de schaal (4).



*Stel de diepteanslag niet in tijdens gebruik.*

- Til de diepteanslag (5) iets van de beschermkap (7).
- Stel de diepteanslag (5) in op de gewenste positie.
- Laat de diepteanslag (5) los om hem in de juiste positie te vergrendelen.

### Instellen van de sleufdiepte (fig. D & E)

De sleufdiepte is variabel tussen 0 en 40 mm. De sleufdiepte kan worden afgelezen op de schaal (4).



*Stel de sleufdiepte niet in tijdens gebruik.*

- Draai de vergrendelingshendel (3) een paar slagen los.
- Kantel de zool (11) naar de gewenste positie.
- Draai de vergrendelingshendel (3) vast.

### In- en uitschakelen (fig. A)

- Om de machine in te schakelen, houdt u de ontgrendelingsknop (2) ingedrukt en drukt gelijktijdig de aan/uit-schakelaar (1) in.
- Om de machine uit te schakelen, laat u de aan/uit-schakelaar (1) los.

### Gebruiken van de laser (fig. A)

De laser wordt gebruikt voor projectie van de snede op de muur.

- Om de laser (9) in te schakelen, drukt u de aan/uit-schakelaar (8) in.
- Om de laser (9) uit te schakelen, laat u de aan/uit-schakelaar (8) los.

### Overbelastingsindicator (fig. A)

De overbelastingsindicator (10) geeft aan of de machine overbelast wordt.

- Indien de machine overbelast wordt, knippert de overbelastingsindicator (10) 3 keer groen.
- Indien de overbelastingsindicator (10) groen brandt, wordt de machine niet overbelast. De machine kan normaal worden gebruikt.
- Indien de overbelastingsindicator (10) rood knippert, wordt de machine overbelast. Oefen minder druk uit op de machine.
- Indien de overbelastingsindicator (10) rood brandt, wordt de machine volledig overbelast. De machine zal worden uigeschakeld.

### Stofafzuiging (fig. F)

Gebruik de machine uitsluitend wanneer ze is aangesloten op een stofafzuigvoorziening die is goedgekeurd voor steenstof.

De stofafzuigvoorziening moet geschikt zijn voor het te bewerken materiaal.

Gebruik een speciale stofafzuigvoorziening bij het werken met giftige materialen of op plaatsen waar giftige stof wordt geproduceerd.



- Gebruik nooit een huishoudstofzuiger. Het gebruik van een huishoudstofzuiger kan eenvoudig zowel uw gezondheid als de stofzuiger beschadigen.
- Gebruik altijd de stofafzuigadapter.

- Zorg ervoor dat de slang van de stofzuigvoorziening stevig is aangesloten op de stofzuigadapter.
- Indien de stofzuigvoorziening uitvalt, stop dan onmiddellijk met werken, schakel de machine uit, verwijder de netstekker uit het stopcontact en probeer het probleem te verhelpen.
- Plaats de stofzuigadapter (25) in de stofzuigaansluiting (13).
- Draai de stofzuigadapter (25) vast door hem rechtsom te draaien totdat hij op zijn plaats wordt vergrendeld.
- Sluit de slang van een stofzuigvoorziening aan op de stofzuigadapter (25).

### Tips voor optimaal gebruik

- Teken lijnen om de richting te bepalen waarin de doorslijpschijven moeten worden geleid.
- Houd de machine met beide handen vast.
- Stel de sleufbreedte in.
- Stel de diepteaanslag in.
- Verricht een van de volgende stappen:
  - Breng de machine omlaag in de muur en stel de sleufdiepte in (aanbevolen). De machine wordt tegen de muur geplaatst en de doorslijpschijven gaan omlaag de muur in. Zodoende wordt de sleufdiepte nauwkeuriger ingesteld.
  - Stel de sleufdiepte in en breng de machine omlaag in de muur.
- Plaats de machine met de wielen op de muur. Zorg ervoor dat de doorslijpschijven op een lijn zijn met de getekende lijnen op de muur.
- Stel de sleufdiepte in.
- Schakel de machine in.
- Wacht totdat de machine volledig op snelheid is.
- Beweeg de machine langs de vooraf getekende lijnen, waarbij de wielen stevig tegen de muur worden gedrukt.
- Oefen niet te veel druk uit op de machine. Laat de machine het werk doen.
- Schakel de machine uit en wacht tot de machine volledig tot stilstand is gekomen voordat u de machine wegzet.

- Houd de ventilatieopeningen vrij van stof en vuil. Gebruik indien nodig een zachte, vochtige doek om stof en vuil uit de ventilatieopeningen te verwijderen.
- Reinig regelmatig de doorslijpschijven om onnauwkeurigheden tijdens gebruik te vermijden.

### Controleren en vervangen van de koolborstels (fig. A)

De koolborstels moeten regelmatig worden gecontroleerd. Indien de koolborstels versleten zijn, zal de machine ongelijkmatig beginnen te draaien.



*Gebruik uitsluitend het juiste type koolborstels.*

- Verwijder de koolborstelhouders (16) met behulp van een schroevendraaier.
- Reinig de koolborstels.
- Vervang in geval van slijtage beide koolborstels tegelijkertijd.
- Monteer de koolborstelhouders (16) met behulp van een schroevendraaier.
- Laat na het monteren van de nieuwe koolborstels de machine gedurende 15 minuten onbelast draaien.

## GARANTIE

Raadpleeg de bijgesloten garantiebepalingen.

## MILIEU

### Afdanking



Het product, de accessoires en de verpakking moeten worden gesorteerd voor milieuvriendelijke recycling.

### Uitsluitend voor EG-landen

Werp elektrisch gereedschap niet weg bij het huisvuil. Volgens de Europese Richtlijn 2002/96/EG voor Afgedankte Elektrische en Elektronische Apparatuur en de implementatie ervan in nationaal recht moet niet langer te gebruiken elektrisch gereedschap gescheiden worden verzameld en op een milieuvriendelijke wijze worden verwerkt.

Het product en de gebruikershandleiding zijn onderhevig aan wijzigingen. Specificaties kunnen zonder opgaaf van redenen worden gewijzigd.

## REINIGING EN ONDERHOUD



*Schakel voor reiniging en onderhoud altijd de machine uit en verwijder de netstekker uit het stopcontact.*

- Reinig regelmatig de behuizing met een zachte doek.

## RAINUREUSE WSM1008

Merci pour votre achat de ce produit Ferm. Vous disposez maintenant d'un excellent produit, proposé par l'un des principaux fabricants européens.

Tous les produits que vous fournit Ferm sont fabriqués selon les normes les plus exigeantes en matière de performances et

de sécurité. Complété par notre garantie très complète, l'excellence de notre service clientèle forme également partie intégrante de notre philosophie.

Nous espérons que vous profiterez longtemps de ce produit.



**Attention : Rayon laser !**  
Ne regardez pas directement le faisceau laser. Ne pointez pas le faisceau laser sur les humains ou les animaux.



Risque de projection d'objets. Maintenez les passants à l'écart de la zone de travail.



Double isolation.



Ne jetez pas le produit dans des conteneurs qui ne sont pas prévus à cet effet.



Le produit est conforme aux normes de sécurité applicables des directives européennes.

### AVERTISSEMENTS DE SÉCURITÉ



**AVERTISSEMENT**  
Consultez les avertissements de sécurité, les avertissements de sécurité additionnels ainsi que les instructions fournis ici.

Le non respect des avertissements de sécurité et des instructions peut occasionner une électrocution, un incendie ou des blessures graves. Conservez les avertissements de sécurité et les instructions pour référence future.

Les symboles suivants sont utilisés dans le manuel d'utilisation ou apposés sur le produit :



Lisez le manuel d'utilisation.



Risque de blessures.



Risque d'électrocution.



Débranchez immédiatement la fiche de la prise secteur si le câble secteur est endommagé ainsi que durant le nettoyage et la maintenance.



Portez des lunettes de protection. Portez une protection auditive.



Portez un masque anti-poussière.

### Avertissements de sécurité additionnels pour les rainureuses

- Ne travaillez pas sur des matériaux contenant de l'amiante. L'amiante est considéré comme carcinogène.
- Portez des lunettes de sécurité, une protection auditive et, si nécessaire, d'autres moyens de protection personnelle comme des gants de sécurité, des chaussures de sécurité, etc.
- Avant toute utilisation, retirez tous les clous et autres objets métalliques du mur.
- Faites attention aux tuyaux et aux câblages cachés lorsque vous pratiquez des saignées dans les murs.
- Maintenez toujours la machine à deux mains.
- N'utilisez pas la machine sans le carter de protection.
- Vérifiez l'état des disques de coupe avant chaque utilisation. N'utilisez pas de disques de coupe courbés, fissurés ou autrement endommagés.
- Assurez-vous que les disques de coupe sont correctement montés.
- Assurez-vous que les disques de coupe tournent dans le sens correct.
- N'utilisez pas la machine avec les disques de coupe dirigés vers le haut ou latéralement.
- Utilisez uniquement des disques de coupe adaptés à cette machine.
- Utilisez uniquement des disques de coupe aux dimensions correctes.
- N'utilisez pas d'autre accessoire que les disques de coupe.
- N'utilisez pas la machine si la profondeur de saignée maximum nécessaire dépasse celle des disques de coupe.

- Assurez-vous de maintenir vos mains hors de portée des pièces rotatives.
- Travaillez toujours dans le sens de travail correct (voir indication sur la base).
- Une fois les disques de coupe en place, laissez la machine tourner sans charge dans une zone sécurisée. En cas de fortes vibrations de la machine, mettez-la immédiatement hors tension, débranchez la fiche de la prise secteur et essayez de résoudre le problème.
- Attention : après avoir mis la machine hors tension, les disques de coupe continuent de tourner pendant une période brève. N'essayiez jamais d'immobiliser vous-même les disques de coupe.
- Ne posez jamais la machine sur une table ou un établi sans l'avoir mise hors tension.

- N'utilisez pas la machine si le câble secteur ou la fiche secteur est endommagé.
- Utilisez uniquement des rallonges adaptées à la puissance nominale de la machine et d'une section minimum de 1,5 mm<sup>2</sup>. Si vous utilisez une bobine de rallonge, déroulez toujours complètement le câble.

## DONNÉES TECHNIQUES

WSM1008	
Tension secteur	V~ 230
Fréquence secteur	Hz 50
Puissance	W 1.600
Vitesse à vide	min <sup>-1</sup> 6.000
Largeur de saignée	mm 8 - 30
Profondeur de saignée	mm 8 - 40
Disque de coupe	
Diamètre	mm 150
Trou d'axe	mm 22,2
Classe de protection	IP 20
Poids	kg 6,8

## BRUIT ET VIBRATION

WSM1008	
Pression acoustique (Lpa)	dB(A) 98,8
Puissance acoustique (Lwa)	dB(A) 109,8
Incertitude (K)	dB(A) 3
Vibration (poignée principale)	m/s <sup>2</sup> 3,74
Vibration (poignée auxiliaire)	m/s <sup>2</sup> 3,50
Incertitude (K)	m/s <sup>2</sup> 1,5

### Recul

Le recul correspond au mouvement vers le haut et l'arrière des disques de coupe lorsqu'ils touchent inopinément un objet. Tenez fermement la machine des deux mains pendant l'utilisation. Restez concentré sur le travail effectué.

Le recul est habituellement provoqué par :

- un contact inattendu avec des objets ou des matériaux durs alors que les disques de coupe tournent ;
- des disques de coupe émoussés ;
- un montage incorrect des disques de coupe ;
- la découpe dans une trace de coupe existante ;
- un défaut d'attention lors du travail ;
- une position instable ;

### Avertissements de sécurité additionnels pour les lasers

- Ne regardez pas directement le faisceau laser.
- Ne pointez pas le faisceau laser sur les humains ou les animaux.
- Ne pointez pas le faisceau laser sur un matériau très réfléchissant.
- N'insérez aucun objet dur dans l'optique laser.
- Nettoyez l'optique laser avec une brosse douce et sèche.
- Confiez les réparations du laser uniquement à un technicien qualifié.



*Portez une protection auditive.*

### Niveau de vibrations

Le niveau de vibrations émises indiqué en ce manuel d'instruction a été mesuré conformément à l'essai normalisé de la norme EN 60745; il peut être utilisé pour comparer plusieurs outils et pour réaliser une évaluation préliminaire de l'exposition aux vibrations lors de l'utilisation de l'outil pour les applications mentionnées

- l'utilisation de l'outil dans d'autres applications, ou avec des accessoires différents ou mal entretenus, peut considérablement augmenter le niveau d'exposition

### Sécurité électrique



*Vérifiez si la tension d'alimentation électrique correspond bien à celle de la plaque signalétique.*

- la mise hors tension de l'outil et sa non-utilisation pendant qu'il est allumé peuvent considérablement réduire le niveau d'exposition

Protégez-vous contre les effets des vibrations par un entretien correct de l'outil et de ses accessoires, en gardant vos mains chaudes et en structurant vos schémas de travail

## DESCRIPTION (FIG. A)

Votre rainureuse a été conçue pour pratiquer des saignées dans la maçonnerie.

La machine est uniquement adaptée à un usage par des droitiers.

1. Interrupteur marche/arrêt
2. Bouton de déblocage
3. Levier de blocage de profondeur de saignée
4. Échelle de profondeur de saignée
5. Butée de profondeur
6. Bouton de blocage de l'axe
7. Carter de protection
8. Interrupteur marche/arrêt (laser)
9. Laser
10. Témoins de surcharge
11. Base
12. Roue (4x)
13. Raccord d'extraction de poussière
14. Poignée principale
15. Poignée auxiliaire
16. Porte-balai à bloc de charbon

## MONTAGE



*Avant le montage, mettez toujours la machine hors tension et débranchez la fiche de la prise secteur.*

### Remplacement des disques de coupe (fig. B)

Des disques de coupe usés ou endommagés doivent être immédiatement remplacés.



- Utilisez uniquement des disques de coupe tranchants et en bon état.
- Remplacez toujours les deux disques de coupe en même temps.
- N'essayez jamais d'enlever le carter de protection.

- Maintenez le bouton de blocage de l'axe (6) enfoncé pour bloquer l'axe (17).
- Desserrez la bride extérieure (18) avec la clé à bride (19).
- Retirez l'ancien disque de coupe (20), les pièces d'écartement (21), l'ancien disque de coupe (22) et la bride intérieure (23).  
Si nécessaire, utilisez le coin refendeur (24) pour retirer les pièces d'écartement (21).
- Si nécessaire, nettoyez les brides (18 & 23).
- Montez la bride intérieure (23), le nouveau disque de coupe (22), les pièces d'écartement (21) et le nouveau disque de coupe (20).
- Serrez fermement la bride extérieure (18) avec la clé à bride (19).
- Relâchez le bouton de blocage de l'axe (6).

## UTILISATION

### Réglage de la largeur de saignée (fig. C)

La largeur de saignée est réglable avec les pièces d'écartement entre les disques de coupe. Le nombre de pièces d'écartement entre les disques de coupe détermine la largeur de saignée.



- Ne réglez pas la largeur de saignée pendant l'utilisation.
- Montez toujours au moins une pièce d'écartement entre les disques de coupe.
- Déterminez la largeur de saignée.
- Montez le nombre requis de pièces d'écartement (21) entre les disques de coupe (20 & 22). Voir le chapitre "Remplacement des disques de coupe".

### Réglage de la butée de profondeur (fig. A & D)

La butée de profondeur limite la profondeur de saignée maximum pendant l'utilisation. La machine ne peut donc pas pénétrer trop profondément dans le mur. Vous pouvez contrôler la profondeur de saignée sur l'échelle graduée (4).



*Ne réglez pas la butée de profondeur pendant l'utilisation.*

- Levez légèrement la butée de profondeur (5) du carter de protection (7).
- Réglez la butée de profondeur (5) sur la position souhaitée.

- Relâchez la butée de profondeur (5) pour la bloquer sur la position correcte.



- N'utilisez jamais un aspirateur domestique. L'emploi d'un aspirateur domestique peut non seulement facilement endommager l'aspirateur mais également affecter votre santé.
- Utilisez toujours un adaptateur d'extraction de poussière.
- Assurez-vous que le flexible de l'aspirateur est fermement connecté à l'adaptateur d'extraction de poussière.
- Si l'aspirateur est endommagé, cessez immédiatement de travailler, mettez la machine hors tension, débranchez la fiche de la prise secteur et essayez de résoudre le problème.
- Insérez l'adaptateur d'extraction de poussière (25) dans le raccord d'extraction de poussière (13).
- Serrez l'adaptateur d'extraction de poussière (25) en tournant dans le sens horaire jusqu'à son blocage.
- Connectez le flexible d'un aspirateur dans l'adaptateur d'extraction de poussière (25).

### Réglage de la profondeur de saignée (fig. A & E)

La profondeur de saignée varie entre 0 et 40 mm. Vous pouvez contrôler la profondeur de saignée sur l'échelle graduée (4).



*Ne réglez pas la profondeur de saignée pendant l'utilisation.*

- Desserrez le levier de blocage (3).
- Inclinez la base (11) sur la position désirée.
- Serrez le levier de blocage (3).

### Mise en marche et arrêt (fig. A)

- Pour mettre la machine en marche, enfoncez le bouton de déblocage (2) sans le relâcher tout en appuyant sur l'interrupteur marche/arrêt (1).
- Pour arrêter la machine, relâchez l'interrupteur marche/arrêt (1).

### Utilisation du laser (fig. A)

Le laser est utilisé pour projeter la découpe sur le mur.

- Pour mettre le laser (9) en marche, appuyez sur l'interrupteur marche/arrêt (8).
- Pour arrêter le laser (9), relâchez l'interrupteur marche/arrêt (8).

### Témoin de surcharge (fig. A)

Le témoin de surcharge (10) indique si la machine présente une surcharge.

- Si la machine est sous tension, le témoin de surcharge (10) clignote en vert à 3 reprises.
- Si le témoin de surcharge (10) est allumé en vert, la machine n'est pas surchargée. La machine peut être utilisée normalement.
- Si le témoin de surcharge (10) clignote en rouge, la machine est surchargée. Relâchez la pression sur la machine.
- Si le témoin de surcharge (10) est allumé en rouge, la machine est complètement surchargée. La machine est mise hors tension.

### Extraction de la poussière (fig. F)

Utilisez la machine uniquement si elle est raccordée à un aspirateur compatible avec la poussière de pierre. L'aspirateur doit être adapté au matériau ouvré. Utilisez un aspirateur spécial pour travailler sur des matériaux toxiques ou générant une poussière toxique.

### Conseils pour une utilisation optimale

- Tirez des lignes définissant la direction de guidage des disques de coupe.
- Maintenez la machine à deux mains.
- Réglez la largeur de saignée.
- Réglez la butée de profondeur.
- Effectuez l'une des opérations suivantes :
  - Abaissez la machine sur le mur et réglez la profondeur de saignée (recommandé). La machine est placée contre le mur et les disques de coupe plus bas sur le mur afin de régler avec davantage de précision la profondeur de saignée.
  - Réglez la profondeur de saignée et abaissez la machine sur le mur.
- Placez la machine avec les roulettes sur le mur. Assurez-vous d'aligner les disques de coupe avec les lignes tracées au mur.
- Réglez la profondeur de saignée.
- Mettez la machine en marche.
- Attendez que la machine atteigne son régime maximum.
- Déplacez lentement la machine le long des lignes tracées en appuyant les roulettes fermement contre le mur.
- N'exercez pas de pression excessive sur la machine. Laissez la machine faire le travail.

- Éteignez la machine et attendez son immobilisation totale avant de la reposer.

## NETTOYAGE ET MAINTENANCE



*Avant le nettoyage et la maintenance, mettez toujours la machine hors tension et débranchez la fiche de la prise secteur.*

- Nettoyez régulièrement le boîtier à l'aide d'un chiffon doux.
- Débarrassez les fentes de ventilation de toute salissure et poussière.  
Si nécessaire, utilisez un chiffon doux et humide pour retirer la salissure et la poussière des fentes de ventilation.
- Nettoyez régulièrement les disques de coupe pour éviter un usage imprécis.

### Contrôle et remplacement des balais à bloc de charbon (fig. A)

Contrôlez régulièrement les balais à bloc de charbon. Si les balais à bloc de charbon sont usés, la machine commence à fonctionner irrégulièrement.



*Utilisez uniquement les balais à bloc de charbon du type correct.*

- Retirez les porte-balais à bloc de charbon (16) avec un tournevis.
- Nettoyez les balais à bloc de charbon.
- En cas d'usure, remplacez les deux balais à bloc de charbon simultanément.
- Installez les porte-balais à bloc de charbon (16) avec un tournevis.
- Après le montage des nouveaux balais à bloc de charbon, laissez tourner la machine à vide pendant 15 minutes.

## GARANTIE

Consultez les termes de la garantie fournis.

## ENVIRONNEMENT

### Mise au rebut



Le produit, les accessoires et l'emballage doivent être triés pour assurer un recyclage écologique.

### Uniquement pour les pays CE

Ne jetez pas les outils électriques avec les déchets domestiques. Selon la directive européenne 2002/96/CE « Déchets d'équipements électriques et électroniques » et sa mise en œuvre dans le droit national, les outils électriques hors d'usage doivent être collectés séparément et mis au rebut de manière écologique.

Le produit et le manuel d'utilisation sont sujets à modifications. Les spécifications peuvent changer sans autre préavis.



## RANURADORA DE PAREDES WSM1008

Gracias por comprar este producto Ferm. Al hacerlo ha adquirido un excelente producto, suministrado por uno de los proveedores líderes en Europa.

Todos los productos suministrados por Ferm se fabrican de conformidad con las normas más elevadas de rendimiento y seguridad. Como parte de nuestra filosofía también proporcionamos un excelente servicio de atención al cliente, respaldado por nuestra completa garantía.

Esperamos que disfrute utilizando este producto durante muchos años.

### ADVERTENCIAS DE SEGURIDAD



#### ADVERTENCIA

Lea las advertencias de seguridad, las advertencias de seguridad adicionales y las instrucciones adjuntas.

De no respetarse las advertencias de seguridad y las instrucciones, podrían producirse descargas eléctricas, incendios y/o lesiones graves.

Conserve las advertencias de seguridad y las instrucciones para su posterior consulta.

Los siguientes símbolos se utilizan en el manual de usuario o en el producto:



Lea el manual de usuario.



Riesgo de lesiones personales.



Riesgo de descarga eléctrica.



Saque inmediatamente el enchufe de la toma si el cable eléctrico resulta dañado y durante la limpieza y el mantenimiento.



Lleve gafas de seguridad. Lleve protección auditiva.



Lleve una máscara antipolvo.



Precaución: ¡rayo láser! No mire directamente al rayo láser. No apunte el rayo láser a otras personas o animales.



Riesgo de objetos volantes. Mantenga a los transeúntes alejados de la zona de trabajo.



Doble aislamiento.



No deseche el producto en contenedores no adecuados.



El producto es conforme con las normas de seguridad vigentes en las Directivas Europeas.

#### Advertencias de seguridad adicionales para ranuradoras de paredes

- No trabaje con materiales que contengan amianto. El amianto se considera cancerígeno.
- Utilice gafas de seguridad, protección auditiva y, si es necesario, otros medios de protección tales como guantes, calzado de seguridad, etc.
- Antes del uso, quite todos los clavos y otros objetos metálicos de la pared.
- Cuando corte ranuras en las paredes, tenga en cuenta las tuberías y cables ocultos.
- Sujete la máquina siempre con ambas manos.
- No utilice la máquina sin la protección.
- Inspeccione los discos de corte antes de cada uso. No utilice discos de corte curvados, agrietados ni dañados de cualquier otro modo.
- Asegúrese de que los discos de corte estén correctamente montados.
- Asegúrese de que los discos de corte giren en la dirección correcta.
- No utilice la máquina con los discos de corte orientados hacia arriba o a un lateral.
- Utilice únicamente discos de corte que sean adecuados para su uso con la máquina.
- Utilice únicamente discos de corte de las dimensiones correctas.
- No utilice otros accesorios que no sean discos de corte.
- No utilice la máquina cuando se requiera una profundidad de ranura máxima que supere la profundidad de ranura máxima de los discos de corte.
- Asegúrese de que sus manos no toquen las piezas giratorias.
- Trabaje siempre en la dirección de trabajo correcta (véase la indicación en la base).
- Deje que la máquina funcione sin carga en una zona segura tras el montaje de los discos de corte. Si la máquina vibra mucho, apáguela inmediatamente, saque el enchufe de la toma e intente solucionar el problema.

- Tenga en cuenta que los discos de corte siguen girando durante un corto periodo de tiempo después de apagar la máquina. Nunca intente hacer que se detengan los discos de corte.
- Nunca ponga la máquina sobre una mesa o un banco de trabajo sin haberla desconectado previamente.

### Retroceso

El retroceso es el movimiento hacia arriba y atrás de los discos de corte cuando éstos tocan un objeto inesperadamente.

Sujete la máquina firmemente con ambas manos durante el uso. Mantenga su atención centrada en la operación.

El retroceso normalmente se produce por:

- el contacto involuntario de objetos o materiales duros con los discos de corte giratorios;
- discos de corte desafilados;
- discos de corte que no se han montado correctamente;
- corte en un corte anterior;
- una falta de atención a la operación;
- una postura inestable.

### Advertencias de seguridad adicionales para láseres

- No mire directamente al rayo láser.
- No apunte el rayo láser a otras personas o animales.
- No apunte el rayo láser a materiales altamente reflectantes.
- No introduzca objetos duros en la óptica del láser.
- Limpie la óptica del láser con un cepillo suave y seco.
- El láser únicamente debe ser reparado por un técnico cualificado.

### Seguridad eléctrica



*Compruebe siempre que la tensión del suministro eléctrico corresponda con la tensión de la placa de características.*

- No utilice la máquina si el cable o el enchufe eléctrico han sufrido daños.
- Utilice únicamente cables alargadores que sean adecuados para la potencia nominal de la máquina con un grosor mínimo de 1,5 mm<sup>2</sup>. Si utiliza un cable alargador en rollo, desenrolle totalmente el cable.

### DATOS TÉCNICOS

WSM1008	
Tensión de red	V~ 230
Frecuencia de red	Hz 50
Entrada de alimentación	W 1.600
Velocidad sin carga	min <sup>-1</sup> 6.000
Ancho de ranura	mm 8 - 30
Profundidad de ranura	mm 8 - 40
Disco de corte	
Diámetro	mm 150
Orificio interior	mm 22,2
Clase de protección	IP 20
Peso	kg 6,8

### RUIDO Y VIBRACIÓN

WSM1008	
Presión acústica (Lpa)	dB(A) 98,8
Potencia acústica (Lwa)	dB(A) 109,8
Incertidumbre (K)	dB(A) 3
Vibración (empuñadura principal)	m/s <sup>2</sup> 3,74
Vibración (empuñadura auxiliar)	m/s <sup>2</sup> 3,50
Incertidumbre (K)	m/s <sup>2</sup> 1,5



*Lleve protección auditiva.*

### Nivel de vibración

El nivel de emisión de vibraciones indicado en este manual de instrucciones ha sido medido según una prueba estándar proporcionada en EN 60745; puede utilizarse para comparar una herramienta con otra y como valoración preliminar de la exposición a las vibraciones al utilizar la herramienta con las aplicaciones mencionadas

- al utilizarla para distintas aplicaciones o con accesorios diferentes o con un mantenimiento deficiente, podría aumentar de forma notable el nivel de exposición
- en las ocasiones en que se apaga la herramienta o cuando está funcionando pero no está realizando ningún trabajo, se podría reducir el nivel de exposición de forma importante

Protéjase contra los efectos de la vibración realizando el mantenimiento de la herramienta y sus accesorios, manteniendo sus manos calientes y organizando sus patrones de trabajo

## DESCRIPCIÓN (FIG. A)

La ranuradora de paredes se ha diseñado para realizar ranuras en mampostería.

La máquina sólo puede manejarse con la mano derecha.

1. Interruptor de encendido/apagado
2. Botón de desbloqueo
3. Palanca de bloqueo para profundidad de ranura
4. Escala para profundidad de ranura
5. Tope de profundidad
6. Botón de bloqueo del eje
7. Protección
8. Interruptor de encendido/apagado para el láser
9. Láser
10. Indicador de sobrecarga
11. Base
12. Rueda (4x)
13. Conexión para extracción de polvo
14. Empuñadura principal
15. Empuñadura auxiliar
16. Portaescobilla de carbón

## MONTAJE



*Antes del montaje, apague siempre la máquina y saque el enchufe de la toma.*

### Sustitución de los discos de corte (fig. B)

Los discos de corte desgastados o dañados deben sustituirse de inmediato.



- Utilice únicamente discos de corte afilados y en buen estado.
- Sustituya siempre ambos discos de corte al mismo tiempo.
- Nunca intente quitar la protección.
- Mantenga presionado el botón de bloqueo del eje (6) para bloquear el eje (17).
- Afloje la brida exterior (18) con la llave de brida (19).

- Retire el disco de corte viejo (20), los espaciadores (21), el disco de corte viejo (22) y la brida interior (23). Si fuera necesario, utilice la cuña de corte (24) para retirar los espaciadores (21).
- En caso necesario, limpie las bridas (18 & 23).
- Monte la brida interior (23), el disco de corte nuevo (22), los espaciadores (21) y el disco de corte nuevo (20).
- Apriete firmemente la brida exterior (18) con la llave de brida (19).
- Suelte el botón de bloqueo del eje (6).

## USO

### Ajuste del ancho de ranura (fig. C)

El ancho de ranura puede ajustarse con los espaciadores entre los discos de corte. El número de espaciadores entre los discos de corte determina el ancho de ranura.



- No ajuste el ancho de ranura durante el uso.
- Monte siempre al menos un espaciador entre los discos de corte.
- Determine el ancho de ranura.
- Monte la cantidad necesaria de espaciadores (21) entre los discos de corte (20 & 22). Consulte el capítulo "Sustitución de los discos de corte".

### Ajuste del tope de profundidad (fig. A & D)

El tope de profundidad limita la profundidad de ranura durante el uso para evitar que la máquina corte demasiado profundo en la pared. La profundidad de ranura puede leerse en la escala (4).



*No ajuste el tope de profundidad durante el uso.*

- Levante ligeramente el tope de profundidad (5) de la protección (7).
- Ajuste el tope de profundidad (5) a la posición deseada.
- Suelte el tope de profundidad (5) para bloquearlo en la posición correcta.

### Ajuste de la profundidad de ranura (fig. A & E)

La profundidad de ranura es variable entre 0 y 40 mm. La profundidad de ranura puede leerse en la escala (4).



*No ajuste la profundidad de ranura durante el uso.*

- Afloje la palanca de bloqueo (3).
- Incline la base (11) a la posición deseada.
- Apriete la palanca de bloqueo (3).

### Encendido y apagado (fig. A)

- Para encender la máquina, mantenga pulsado el botón de desbloqueo (2) y pulse simultáneamente el interruptor de encendido/apagado (1).
- Para apagar la máquina, suelte el interruptor de encendido/apagado (1).

### Utilización del láser (fig. A)

El láser se usa para proyectar el corte sobre la pared.

- Para encender el láser (9), pulse el interruptor de encendido/apagado (8).
- Para apagar el láser (9), suelte el interruptor de encendido/apagado (8).

### Indicador de sobrecarga (fig. A)

El indicador de sobrecarga (10) indica si la máquina está sobrecargada.

- Si la máquina está encendida, el indicador de sobrecarga (10) parpadea en verde 3 veces.
- Si el indicador de sobrecarga (10) se ilumina en verde, la máquina no está sobrecargada. La máquina puede utilizarse normalmente.
- Si el indicador de sobrecarga (10) parpadea en rojo, la máquina está sobrecargada. Aplique menos presión en la máquina.
- Si el indicador de sobrecarga (10) se ilumina en rojo, la máquina está totalmente sobrecargada. La máquina se apagará.

### Extracción del polvo (fig. F)

Utilice la máquina únicamente cuando esté conectada a un dispositivo de aspiración que esté homologado para el polvo de piedra. El dispositivo de aspiración debe ser adecuado para el material que se trabaja. Utilice un dispositivo de aspiración especial cuando trabaje con materiales tóxicos o cuando se produzca polvo tóxico.



- Nunca utilice un aspirador doméstico. La utilización de un aspirador doméstico puede suponer un riesgo para su salud y dañar el aspirador.
- Utilice siempre el adaptador de extracción de polvo.

- Asegúrese de que la manguera del dispositivo de aspiración esté bien conectada al adaptador de extracción de polvo.
- Si el dispositivo de aspiración se avería, deje de trabajar inmediatamente, apague la máquina, saque el enchufe de la toma e intente solucionar el problema.
- Introduzca el adaptador de extracción de polvo (25) en la conexión para extracción de polvo (13).
- Apriete el adaptador de extracción de polvo (25) girándolo en sentido horario hasta que encaje en su posición.
- Conecte la manguera de un dispositivo de aspiración al adaptador de extracción de polvo (25).

### Consejos para un uso óptimo

- Trace líneas para definir la dirección en la que guiar los discos de corte.
- Sujete la máquina con ambas manos.
- Ajuste el ancho de ranura.
- Ajuste el tope de profundidad.
- Realice uno de los siguientes pasos:
  - Baje la máquina en la pared y ajuste la profundidad de ranura (recomendado). La máquina se coloca contra la pared y los discos de corte bajan en la pared para ajustar con mayor precisión la profundidad de ranura.
  - Ajuste la profundidad de ranura y baje la máquina en la pared.
- Coloque la máquina con los discos sobre la pared. Asegúrese de que los discos de corte se alineen con las líneas trazadas en la pared.
- Ajuste la profundidad de ranura.
- Encienda la máquina.
- Espere hasta que la máquina alcance la máxima velocidad.
- Mueva lentamente la máquina por las líneas pretrazadas, presionando firmemente los discos contra la pared.
- No aplique demasiada presión sobre la máquina. Deje que la máquina haga el trabajo.
- Apague la máquina y espere que ésta se detenga completamente antes de dejarla.

## LIMPIEZA Y MANTENIMIENTO



*Antes de la limpieza y el mantenimiento, apague siempre la máquina y saque el enchufe de la toma.*

- Limpie la carcasa periódicamente con un paño suave.

- Mantenga las ranuras de ventilación libres de polvo y suciedad. En caso necesario, utilice un paño suave humedecido para eliminar el polvo y la suciedad de las ranuras de ventilación.
- Limpie regularmente los discos de corte para evitar imprecisiones durante el uso.

### Comprobación y sustitución de las escobillas de carbón (fig. A)

Las escobillas de carbón deben comprobarse periódicamente. Si las escobillas de carbón se desgastan, la máquina empezará a funcionar irregularmente.



*Utilice sólo escobillas de carbón del tipo correcto.*

- Retire los portaescobillas de carbón (16) utilizando un destornillador.
- Limpie las escobillas de carbón.
- En caso de desgaste, cambie ambas escobillas al mismo tiempo.
- Monte los portaescobillas de carbón (16) utilizando un destornillador.
- Después de montar las escobillas de carbón nuevas, deje la máquina en marcha sin carga durante 15 minutos.

## GARANTÍA

Consulte las condiciones de la garantía adjunta.

## MEDIO AMBIENTE

### Desechado



El producto, los accesorios y el embalaje deben clasificarse para un reciclaje respetuoso con el medio ambiente.

### Sólo para países CE

No deseche las herramientas eléctricas con los residuos domésticos. De conformidad con la Directiva Europea 2002/96/CE sobre residuos de aparatos eléctricos y electrónicos y su implementación en el derecho nacional, las herramientas eléctricas que dejen de funcionar deben recogerse por separado y desecharse de forma respetuosa con el medio ambiente.

El producto y el manual de usuario están sujetos a cambios. Las especificaciones pueden modificarse sin previo aviso.

## RANHURADORA DE PAREDES WSM1008

Obrigado por adquirir este produto Ferm. Trata-se de um produto excelente, fabricado por um dos fornecedores líderes na Europa. Todos os produtos fornecidos pela Ferm são fabricados em conformidade com os mais elevados requisitos de desempenho e segurança. Como parte da nossa filosofia, oferecemos uma excelente assistência ao cliente, apoiada pela nossa garantia abrangente. Esperamos que desfrute deste produto por muitos anos.

## AVISOS DE SEGURANÇA



### AVISO

*Leia os avisos de segurança incluídos, os avisos de segurança adicionais e as instruções.*

*O não cumprimento dos avisos de segurança e das instruções pode resultar em choque eléctrico, incêndio e/ou graves lesões.*

*Guarde todos os avisos de segurança e as instruções para futura referência.*

Neste manual do utilizador ou no produto utilizam-se os seguintes símbolos:



*Leia o manual do utilizador.*



*Risco de lesões pessoais.*



*Risco de choque eléctrico.*



*Desligue imediatamente a ficha de alimentação da tomada, caso o cabo de alimentação fique danificado, assim como antes de proceder a trabalhos de limpeza e de manutenção.*



*Utilize óculos de protecção. Utilize protecções auriculares.*



*Utilize uma máscara de protecção anti-poeira.*



**Precaução: Feixe a laser! Não olhe directamente para o feixe laser. Não aponte o feixe laser para pessoas ou animais.**



**Risco de projecção de objectos. Mantenha transeuntes afastados da área de trabalho.**



**Isolamento duplo.**



**Não descarte o produto em recipientes inadequados.**



**O produto está em conformidade com as normas de segurança aplicáveis nas directivas europeias.**

### **Avisos adicionais de segurança para ranhuradoras de paredes**

- Não trabalhe materiais que contenham amianto. O amianto é considerado carcinogénico.
- Use óculos e protecções auriculares e, caso seja necessário, outros meios de protecção, tais como luvas de trabalho, calçado, etc.
- Antes de utilizar, retire todos os pregos e outros objectos de metal da parede.
- Esteja atento a tubos e cabos ocultos quando for efectuar ranhuras em paredes.
- Segure sempre a máquina com as duas mãos.
- Não utilize a máquina sem ter a protecção colocada.
- Inspeccione os discos de corte antes de cada utilização. Não utilize discos de corte dobrados, com fendas ou danificados de alguma forma.
- Certifique-se de que os discos de corte estão correctamente montados.
- Certifique-se de que os discos de corte rodam na direcção correcta.
- Não utilize a máquina com os discos de corte voltados para cima ou para o lado.
- Utilize apenas discos de corte adequados para utilização com a máquina.
- Utilize apenas discos de corte com as dimensões correctas.
- Não utilize outros acessórios para além dos discos de corte.
- Não utilize a máquina quando é necessária uma profundidade de ranhura máxima que exceda a profundidade de ranhura máxima dos discos de corte.
- Certifique-se de que as suas mãos não tocam nas peças rotativas.

- Trabalhe sempre na direcção de trabalho correcta (consulte a indicação na base).
- Depois de montar os discos de corte, deixe a máquina funcionar sem carga numa área segura. Se a máquina vibrar intensamente, desligue-a imediatamente, desligue a ficha de alimentação na tomada e tente solucionar o problema.
- Tenha em atenção que depois de desligar a máquina, os discos de corte continuam a rodar durante alguns segundos. Nunca tente parar por si mesmo os discos de corte.
- Nunca coloque a máquina para baixo sobre uma mesa ou bancada antes de desligá-la.

### **Ressalto**

Ressalto é o movimento para cima e para trás dos discos de corte quando estes tocam inesperadamente num objecto. Segure a máquina com as duas mãos durante a utilização. Mantenha a sua atenção concentrada na operação.

O ressalto é normalmente causado por:

- contacto accidental com materiais ou objectos rígidos com os discos de corte em rotação;
- discos de corte rombos;
- discos de corte incorrectamente montados;
- corte realizado num corte anterior;
- falta de atenção na operação;
- uma posição instável.

### **Avisos adicionais de segurança para lasers**

- Não olhe directamente para o feixe laser.
- Não aponte o feixe laser para pessoas ou animais.
- Não aponte o feixe laser a materiais fortemente reflectores.
- Não insira objectos rígidos na óptica do laser.
- Limpe a óptica do laser com uma escova seca e macia.
- O laser deve ser sempre reparado por um técnico qualificado.

### **Segurança eléctrica**



**Certifique-se sempre de que a tensão de alimentação corresponde à tensão indicada na placa de especificações.**

- Não utilize a máquina se o cabo ou ficha de alimentação estiverem danificados.

- Utilize apenas cabos de extensão adequados à classificação nominal da máquina com uma espessura mínima de 1,5 mm<sup>2</sup>. No caso de usar uma bobina de cabo de extensão, desenrole o cabo todo.

- o número de vezes que a ferramenta é desligada ou quando estiver a trabalhar sem fazer nada, pode reduzir significativamente o nível de exposição

Proteja-se contra os efeitos da vibração, mantendo a ferramenta e os acessórios, mantendo as mãos quentes e organizando os padrões de trabalho

## DADOS TÉCNICOS

WSM1008	
Tensão	V~ 230
Frequência da rede	Hz 50
Potência de entrada	W 1.600
Velocidade sem carga	mín <sup>-1</sup> 6.000
Largura da ranhura	mm 8 - 30
Profundidade da ranhura	mm 8 - 40
Disco de corte	
Diâmetro	mm 150
Diâmetro interno	mm 22,2
Classe de protecção	IP 20
Peso	kg 6,8

## RUÍDO E VIBRAÇÃO

WSM1008	
Pressão acústica (Lpa)	dB(A) 98,8
Potência acústica (Lwa)	dB(A) 109,8
Imprecisão (K)	dB(A) 3
Vibração (punho principal)	m/s <sup>2</sup> 3,74
Vibração (punho auxiliar)	m/s <sup>2</sup> 3,50
Imprecisão (K)	m/s <sup>2</sup> 1,5



Utilize protecções auriculares.

### Nível de vibração

O nível de emissão de vibrações indicado na parte posterior deste manual de instruções foi medido de acordo com um teste normalizado fornecido na EN 60745; pode ser utilizado para comparar uma ferramenta com outra e como uma avaliação preliminar de exposição à vibração quando utilizar a ferramenta para as aplicações mencionadas

- utilizar a ferramenta para diferentes aplicações ou com acessórios diferentes ou mantidos deficientemente, pode aumentar significativamente o nível de exposição

## DESCRIÇÃO (FIG. A)

A sua ranhuradora de paredes foi concebida para ranhurar pedra. A máquina deve ser usada exclusivamente com a mão direita.

1. Interruptor de ligar/desligar
2. Botão de travagem
3. Alavanca de bloqueio para profundidade de ranhura
4. Escala para profundidade de ranhura
5. Limitador de profundidade
6. Botão de bloqueio do veio
7. Protecção
8. Interruptor de ligar/desligar para o laser
9. Laser
10. Indicador de sobrecarga
11. Base
12. Roda (4x)
13. Conector de extracção de poeiras
14. Punho principal
15. Punho auxiliar
16. Suporte da escova de carbono

## MONTAGEM



Antes de montar, desligue sempre a máquina no interruptor e retire a ficha da tomada.

### Substituição dos discos de corte (fig. B)

Os discos de corte que estiverem gastos ou danificados devem ser imediatamente substituídos.



- Utilize apenas discos de corte afiados e que não estejam danificados.
- Substitua sempre os dois discos de corte em simultâneo.
- Nunca retire a protecção.
  - Mantenha o botão de bloqueio do veio (6) pressionado para bloquear o veio (17).
  - Retire a flange externa (18) com a chave de flange (19).

- Retire o disco de corte usado (20), os espaçadores (21), o disco de corte usado (22) e a flange interna (23). Se necessário, utilize a cunha de rachar (24) para retirar os espaçadores (21).
- Se necessário, limpe as flanges (18 & 23).
- Monte a flange interna (23), o novo disco de corte (22), os espaçadores (21) e o novo disco de corte (20).
- Aperte firmemente a flange externa (18) com a chave de flange (19).
- Liberte o botão de bloqueio do veio (6).

## UTILIZAÇÃO

### Ajuste da largura da ranhura (fig. C)

A largura da ranhura deve ser determinada utilizando os espaçadores entre os discos de corte. O número de espaçadores entre os discos de corte determinam a largura da ranhura.



- Não ajuste a largura da ranhura durante a utilização.
- Monte sempre, pelo menos, um espaçador entre os discos de corte.
- Determine a largura da ranhura.
- Monte o número certo de espaçadores (21) entre os discos de corte (20 & 22). Consulte o capítulo “Substituição dos discos de corte”.

### Ajuste do limitador de profundidade (fig. A & D)

O limitador de profundidade limita a profundidade máxima da ranhura durante a utilização para evitar que a máquina efectue um corte demasiado profundo na parede. A profundidade da ranhura está indicada na escala (4).



*Não ajuste o limitador de profundidade durante a utilização.*

- Levante ligeiramente o limitador de profundidade (5) da protecção (7).
- Ajuste o limitador de profundidade (5) para a posição necessária.
- Solte o limitador de profundidade (5) para o bloquear na posição correcta.

### Ajuste da profundidade da ranhura (fig. A & E)

A profundidade da ranhura varia entre 0 e 40 mm. A profundidade da ranhura está indicada na escala (4).



*Não ajuste a profundidade da ranhura durante a utilização.*

- Afrouxe a alavanca de bloqueio (3).
- Incline a base (11) para a posição pretendida.
- Aperte a alavanca de bloqueio (3).

### Ligação e desligação (fig. A)

- Para ligar a máquina, mantenha o botão de travagem (2) pressionado e pressione simultaneamente o interruptor de ligar/desligar (1).
- Para desligar a máquina, liberte o interruptor de ligar/desligar (1).

### Utilização do laser (fig. A)

O laser é utilizado para a projecção do corte na parede.

- Para ligar o laser (9), pressione o interruptor de ligar/desligar (8).
- Para desligar o laser (9), solte o interruptor de ligar/desligar (8).

### Indicador de sobrecarga (fig. A)

O indicador de sobrecarga (10) indica se a máquina está sobrecarregada.

- Ao ligar a máquina, o indicador de sobrecarga (10) pisca a verde 3 vezes.
- Se o indicador de sobrecarga (10) acender a verde, a máquina não está sobrecarregada. A máquina pode ser utilizada normalmente.
- Se o indicador de sobrecarga (10) piscar a vermelho, a máquina está sobrecarregada. Aplique menos pressão sobre a máquina.
- Se o indicador de sobrecarga (10) acender a vermelho, a máquina está totalmente sobrecarregada. A máquina deve ser desligada.

### Extracção de poeiras (fig. F)

Utilize a máquina apenas quando estiver ligada a um dispositivo de aspiração aprovado para poeira de pedra. O dispositivo de aspiração deve ser adequado ao material que será trabalhado. Utilize um dispositivo de aspiração especial quando trabalhar com materiais tóxicos ou sempre que for produzida poeira tóxica.



- Nunca utilize um aspirador doméstico normal. A utilização de um aspirador doméstico normal pode facilmente prejudicar a sua saúde e danificar o aspirador.
- Utilize sempre o adaptador para extracção de poeiras.



- Certifique-se de que a mangueira do dispositivo de aspiração está devidamente ligada ao adaptador para extracção de poeiras.
- Se o dispositivo de aspiração avariar, interrompa imediatamente o trabalho, desligue a máquina no interruptor e retire a ficha de alimentação da tomada e tente solucionar o problema.
- Insira o adaptador de extracção de poeiras (25) no conector de extracção de poeiras (13).
- Aperte o adaptador de extracção de poeiras (25), rodando-o para a direita até que bloqueie em posição.
- Ligue a mangueira de um dispositivo de aspiração ao adaptador de extracção de poeiras (25).

#### Sugestões para uma melhor utilização

- Trace linhas para definir a direcção de orientação dos discos de corte.
- Segure a máquina com as duas mãos.
- Ajuste a largura da ranhura.
- Ajuste o limitador de profundidade.
- Realize um dos seguintes procedimentos:
  - Encoste a máquina à parede e ajuste a profundidade da ranhura (recomendado). A máquina é colocada contra a parede e os discos de corte encostam à parede para um ajuste mais preciso da profundidade da ranhura.
  - Ajuste a profundidade da ranhura e encoste a máquina à parede.
- Coloque a máquina com as rodas na parede. Certifique-se de que os discos de corte alinham com as linhas traçadas na parede.
- Ajuste a profundidade da ranhura.
- Ligue a máquina.
- Aguarde até que a máquina atinja a velocidade máxima.
- Desloque lentamente a máquina ao longo das linhas previamente traçadas, pressionando firmemente as rodas contra a parede.
- Não aplique demasiada pressão sobre a máquina. Permita que a máquina execute o trabalho.
- Desligue a máquina e espere que pare completamente antes de a pousar.

## LIMPEZA E MANUTENÇÃO



*Antes de proceder a trabalhos de limpeza e manutenção, desligue sempre a máquina no interruptor e retire a ficha da tomada.*

- Limpe regularmente a estrutura utilizando um pano macio.
- Mantenha as ranhuras de ventilação isentas de poeiras e sujidade. Se necessário, utilize um pano suave e húmido para remover poeiras e sujidade das ranhuras de ventilação.
- Limpe regularmente os discos de corte para evitar imprecisões durante a utilização.

#### Verificação e substituição das escovas de carbono (fig. A)

As escovas de carbono devem ser limpas regularmente. Se as escovas de carbono estiverem gastas, a máquina começará a funcionar de forma irregular.



*Utilize apenas as escovas de carbono do tipo correcto.*

- Retire os suportes das escovas de carbono (16) utilizando uma chave de fenda.
- Limpe as escovas de carbono.
- Em caso de desgaste, substitua as duas escovas em simultâneo.
- Monte os suportes das escovas de carbono (16) utilizando uma chave de fenda.
- Depois de montar as novas escovas de carbono, deixe a máquina funcionar sem carga durante 15 minutos.

## GARANTIA

Consulte os termos da garantia inclusos.

## AMBIENTE

#### Eliminação



O produto, acessórios e a embalagem devem ser separados para reciclagem ecologicamente segura.

### Apenas para os países da CE

Não coloque as ferramentas eléctricas no lixo doméstico. Em conformidade com a directriz europeia 2002/96/CE relativa a resíduos de equipamentos eléctricos e electrónicos e respectiva implementação na legislação nacional, as ferramentas eléctricas não utilizáveis devem ser recolhidas separadamente e eliminadas de um modo ecologicamente seguro.

O produto e o manual do utilizador estão sujeitos a alterações. As especificações podem ser alteradas sem aviso prévio.

## SCANALATORE DA PARETE WSM1008

Grazie per aver acquistato questo prodotto Ferm. Con questo acquisto lei è entrato in possesso di un prodotto di qualità eccellente, distribuito da uno dei principali fornitori in Europa. Tutti i prodotti distribuiti da Ferm sono realizzati in conformità con i più rigidi standard in materia di sicurezza e prestazioni. È nostra filosofia offrire al cliente un servizio di assistenza di eccellente livello, supportato da una garanzia completa. Ci auguriamo che apprezzerà l'uso di questo prodotto per molti anni a venire.

### AVVISI DI SICUREZZA



#### AVVISO

*Leggere accuratamente gli avvisi di sicurezza, gli avvisi di sicurezza aggiuntivi e le istruzioni.*

*La mancata osservanza degli avvisi di sicurezza e delle istruzioni potrebbe causare scosse elettriche, incendio e/o gravi lesioni.*

*Mantenere gli avvisi di sicurezza e le istruzioni a portata di mano per future consultazioni.*

I seguenti simboli sono utilizzati nel presente manuale utente o sul prodotto:



*Leggere il manuale utente.*



*Pericolo di lesioni personali.*



*Pericolo di scosse elettriche.*



*Disconnettere immediatamente la spina di alimentazione dalla rete elettrica qualora il cavo di alimentazione risulti danneggiato e durante ogni operazione di pulitura e manutenzione.*



*Indossare occhiali di protezione.  
Indossare protezioni per l'udito.*



*Indossare una mascherina anti-polvere.*



**Attenzione: Raggio laser! Non guardare direttamente il raggio del laser. Non dirigere il raggio del laser verso altre persone o animali.**



**Pericolo di espulsione di frammenti ad alta velocità. Mantenere gli astanti a sufficiente distanza dall'area di lavoro.**



**Doppio isolamento**



**Non smaltire il prodotto in contenitori non idonei.**



**Il prodotto è conforme agli standard pertinenti in materia di sicurezza previsti dalla legislazione Europea.**

### Avvisi di sicurezza aggiuntivi per scanalatori da parete

- Non operare su materiali contenenti amianto. L'amianto è una sostanza considerata cancerogena.
- Indossare occhiali protettivi, protezioni per l'udito e, se necessario, altro equipaggiamento protettivo, come guanti da lavoro, scarpe di sicurezza, ecc.
- Prima dell'uso, rimuovere chiodi ed altri oggetti metallici dalla parete.
- Porre attenzione alla presenza di eventuali tubi o cavi nascosti durante il taglio di scanalature nelle pareti.
- Sostenere sempre l'elettrotensile con entrambe le mani.
- Non utilizzare l'elettrotensile senza il paralama.
- Prima di ogni uso, controllare lo stato dei dischi da taglio. Non utilizzare dischi da taglio deformati, spezzati o altrimenti danneggiati.
- Assicurarsi che i dischi da taglio siano montati correttamente.
- Verificare che i dischi da taglio ruotino nella corretta direzione.
- Non utilizzare l'elettrotensile con i dischi da taglio rivolti verso l'alto o lateralmente.
- Usare soltanto dischi da taglio idonei all'uso con l'elettrotensile.
- Usare esclusivamente dischi da taglio della corretta dimensione.
- Non utilizzare accessori diversi dai dischi da taglio.
- Non utilizzare l'elettrotensile per praticare una scanalatura la cui profondità massima superi la massima profondità di scanalatura dei dischi da taglio.

- Assicurarsi di non toccare con le mani le parti in rotazione.
- Lavorare sempre nella direzione corretta (vedere indicatore sulla base).
- Far ruotare l'elettrotensile in assenza di carico in un'area sicura dopo il montaggio dei dischi da taglio.  
Se l'elettrotensile vibra eccessivamente, spegnerlo immediatamente, disconnettere la spina di alimentazione dalla rete elettrica e tentare di risolvere il problema.
- Porre attenzione perché i dischi da taglio continuano a ruotare per un breve periodo dopo lo spegnimento dell'elettrotensile. Non tentare di arrestare manualmente la rotazione dei dischi da taglio.
- Non porre mai l'elettrotensile su un tavolo o un banco da lavoro senza averlo precedentemente spento.

### Contraccollo

Il contraccollo è il brusco movimento dei dischi da taglio verso l'alto e all'indietro quando entrano accidentalmente in contatto con un oggetto. Sostenere saldamente l'elettrotensile con entrambe le mani durante l'uso. Mantenere l'attenzione concentrata sul lavoro in corso.

Il contraccollo è generalmente causato da:

- il contatto accidentale dei dischi da taglio in rotazione con oggetti o materiali duri;
- l'uso di dischi da taglio non affilati;
- il montaggio non corretto dei dischi da taglio;
- taglio all'interno di una scanalatura precedente;
- una mancanza di attenzione durante il lavoro;
- una posizione instabile.

### Avvisi di sicurezza aggiuntivi per laser

- Non guardare direttamente il raggio del laser.
- Non dirigere il raggio del laser verso altre persone o animali.
- Non dirigere il raggio del laser verso una superficie altamente riflettente.
- Non inserire oggetti duri nell'ottica del laser.
- Pulire l'ottica del laser con un pennello soffice e asciutto.
- Far riparare il laser soltanto da personale qualificato.

### Sicurezza elettrica



**Controllare sempre che la tensione di alimentazione corrisponda alla tensione indicata sulla targhetta delle caratteristiche.**

- Non utilizzare l'elettrotensile quando il cavo o la spina di alimentazione sono danneggiati.
- Utilizzare esclusivamente cavi di prolunga idonei per la potenza nominale dell'elettrotensile, con conduttori di sezione minima di 1,5 mm<sup>2</sup>. Quando si utilizza un cavo di prolunga con avvolgicavo, svolgere sempre completamente il cavo.
- se si utilizza l'utensile per applicazioni diverse, oppure con accessori differenti o in scarse condizioni, il livello di esposizione potrebbe aumentare notevolmente
- i momenti in cui l'utensile è spento oppure è in funzione ma non viene effettivamente utilizzato per il lavoro, possono contribuire a ridurre il livello di esposizione

## DATI TECNICI

WSM1008	
Tensione di alimentazione	V~ 230
Frequenza di alimentazione	Hz 50
Potenza assorbita	W 1.600
Velocità a vuoto	min <sup>-1</sup> 6.000
Larghezza di scanalatura	mm 8 - 30
Profondità di scanalatura	mm 8 - 40
Disco da taglio	
Diametro	mm 150
Foro	mm 22,2
Classe di protezione	IP 20
Peso	kg 6,8

## RUMOROSITÀ E VIBRAZIONI

WSM1008	
Pressione sonora (L <sub>pa</sub> )	dB(A) 98,8
Potenza acustica (L <sub>wa</sub> )	dB(A) 109,8
Incertezza (K)	dB(A) 3
Vibrazioni (impugnatura principale)	m/s <sup>2</sup> 3,74
Vibrazioni (impugnatura ausiliaria)	m/s <sup>2</sup> 3,50
Incertezza (K)	m/s <sup>2</sup> 1,5



*Indossare protezioni per l'udito.*

### Livello delle vibrazioni

Il livello di emissione delle vibrazioni indicato sul retro di questo manuale di istruzioni è stato misurato in conformità a un test standardizzato stabilito dalla norma EN 60745; questo valore può essere utilizzato per mettere a confronto un l'utensile con un altro o come valutazione preliminare di esposizione alla vibrazione quando si impiega l'utensile per le applicazioni menzionate

Protegersi dagli effetti della vibrazione effettuando la manutenzione dell'utensile e dei relativi accessori, mantenendo le mani calde e organizzando i metodi di lavoro

## DESCRIZIONE (FIG. A)

Questo scanalatore da parete è stato progettato per praticare scanalature su pareti in muratura. La macchina è idonea esclusivamente all'uso con la mano destra.

1. Interruttore on/off
2. Pulsante di sblocco
3. Leva di bloccaggio per profondità di scanalatura
4. Scala della profondità di scanalatura
5. Arresto di profondità
6. Pulsante di bloccaggio dell'alberino
7. Paralama
8. Interruttore on/off per il laser
9. Laser
10. Indicatore di sovraccarico
11. Base
12. Rotella (4x)
13. Raccordo di estrazione della polvere
14. Impugnatura principale
15. Impugnatura ausiliaria
16. Porta-spazzole in carbonio

## MONTAGGIO



*Prima del montaggio, spegnere sempre l'elettrotensile e disconnettere la spina di alimentazione dalla rete elettrica.*

### Sostituzione dei dischi da taglio (fig. B)

I dischi da taglio usurati o danneggiati devono essere sostituiti immediatamente.



- Utilizzare esclusivamente dischi da taglio affilati e non danneggiati.
- Sostituire sempre contemporaneamente entrambi i dischi da taglio.
- Non tentare mai di rimuovere il paralama.

- Mantenere premuto il pulsante di blocco dell'alberino (6) per bloccare la rotazione dell'alberino (17).
- Allentare la flangia esterna (18) utilizzando l'apposita chiave per flange in dotazione (19).
- Rimuovere il disco da taglio usurato (20), i distanziatori (21), il disco da taglio usurato (22) e la flangia interna (23). Se necessario, usare il cuneo separatore (24) per rimuovere i distanziatori (21).
- Pulire le flange (18 & 23), se necessario.
- Montare la flangia interna (23), il nuovo disco da taglio (22), i distanziatori (21) ed il nuovo disco da taglio (20).
- Serrare saldamente la flangia esterna (18) utilizzando l'apposita chiave in dotazione (19).
- Rilasciare il pulsante di blocco (6) dell'alberino.

- Regolare l'arresto di profondità (5) sulla posizione desiderata.
- Rilasciare l'arresto di profondità (5) per bloccarlo nella corretta posizione.

### Regolazione della profondità di scanalatura (fig. A & E)

La profondità di scanalatura è regolabile tra 0 e 40 mm. La profondità di scanalatura è indicata dalla scala (4).



*Non regolare la profondità di scanalatura durante l'uso.*

- Allentare la leva di bloccaggio (3).
- Inclinare la base (11) nella posizione desiderata.
- Serrare la leva di bloccaggio (3).

### Accensione e spegnimento (fig. A)

- Per accendere l'elettrotensile, mantenere premuto il pulsante di sblocco (2) e contemporaneamente premere l'interruttore on/off (1).
- Per spegnere la macchina, rilasciare l'interruttore on/off (1).

### Uso del laser (fig. A)

Il laser è utilizzato per proiettare la traccia di taglio sulla parete.

- Per accendere il laser (9), premere l'interruttore on/off (8).
- Per spegnere il laser (9), rilasciare l'interruttore on/off (8).

### Indicatore di sovraccarico (fig. A)

L'indicatore di sovraccarico (10) segnala quando l'elettrotensile si trova in condizioni di sovraccarico.

- Quando l'elettrotensile viene acceso, l'indicatore di sovraccarico (10) lampeggia in verde 3 volte.
- Quando l'indicatore di sovraccarico (10) è illuminato in verde, l'elettrotensile non è in condizione di sovraccarico. L'elettrotensile può essere utilizzato normalmente.
- L'indicatore di sovraccarico (10) lampeggia in rosso per segnalare che l'elettrotensile si trova in condizione di sovraccarico. Applicare una minore pressione sull'elettrotensile.
- Quando l'indicatore di sovraccarico (10) è illuminato in rosso fisso, l'elettrotensile si trova in pieno sovraccarico e verrà spento.

## USO

### Impostazione della larghezza di scanalatura (fig. C)

La larghezza di scanalatura può essere impostata utilizzando i distanziatori interposti tra i dischi da taglio. Il numero di distanziatori interposti tra i dischi da taglio determina la larghezza di scanalatura.



- Non impostare la larghezza di scanalatura durante l'uso.
- Montare sempre almeno un distanziatore tra i dischi da taglio.
- Determinare la larghezza di scanalatura.
- Montare la necessaria quantità di distanziatori (21) tra i dischi da taglio (20 & 22). Vedere il capitolo "Sostituzione dei dischi da taglio".

### Regolazione dell'arresto di profondità (fig. A & D)

L'arresto di profondità limita la massima profondità di scanalatura durante l'uso per evitare che l'elettrotensile incida troppo profondamente la parete. La profondità di scanalatura è indicata dalla scala (4).



*Non regolare l'arresto di profondità durante l'uso.*

- Sollevare leggermente l'arresto di profondità (5) dal paralama (7).

### Aspirazione della polvere (fig. F)

Utilizzare l'elettrotensile soltanto quando è connesso ad un dispositivo di aspirazione approvato per polveri di pietra. Il dispositivo di aspirazione deve essere idoneo per il materiale da lavorare. Utilizzare uno speciale aspiratore per lavorare su materiali tossici o dove si producano polveri tossiche.



- Non utilizzare mai un aspirapolvere di tipo domestico. L'impiego di un aspirapolvere di tipo domestico può facilmente recare danni alla salute e danneggiare lo stesso aspirapolvere.
- Utilizzare l'adattatore per l'estrazione delle polveri.
- Assicurarsi che il flessibile del dispositivo di aspirazione sia saldamente connesso all'adattatore di estrazione delle polveri.
- Se il dispositivo di aspirazione si arresta, interrompere immediatamente il lavoro, spegnere l'elettrotensile, disconnettere la spina di alimentazione dalla rete elettrica e tentare di risolvere il problema.
- Inserire l'adattatore per l'estrazione delle polveri (25) nel relativo raccordo (13).
- Serrare l'adattatore per l'estrazione delle polveri (25) ruotandolo in senso orario finché non si blocca in posizione.
- Collegare il flessibile del dispositivo di aspirazione all'adattatore di estrazione delle polveri (25).

### Consigli per un'ottima utilizzazione

- Tracciare delle linee per definire la direzione in cui muovere i dischi da taglio.
- Sostenere l'elettrotensile con entrambe le mani.
- Regolare la larghezza di scanalatura.
- Regolare l'arresto di profondità.
- Procedere in uno dei seguenti modi:
  - Abbassare l'elettrotensile nella parete e regolare la profondità di scanalatura (procedura consigliata). L'elettrotensile si trova a contatto con la parete e i dischi da taglio penetrano nella parete per regolare la profondità di scanalatura con maggiore accuratezza.
  - Regolare la profondità di scanalatura e abbassare l'elettrotensile nella parete.

- Porre l'elettrotensile con le rotelle a contatto con la parete. Assicurarsi che i dischi da taglio siano allineati con le linee tracciate sulla parete.
- Regolare la profondità di scanalatura.
- Accendere l'elettrotensile.
- Attendere finché l'elettrotensile non ha raggiunto la massima velocità.
- Muovere lentamente l'elettrotensile lungo le linee pretracciate, premendo saldamente le rotelle contro la parete.
- Non esercitare una pressione eccessiva sull'elettrotensile. Lasciare che l'elettrotensile effettui il lavoro di taglio.
- Prima di appoggiare l'elettrotensile, spegnerlo e attendere che si arresti completamente.

## PULIZIA E MANUTENZIONE



*Prima di ogni operazione di pulizia e manutenzione, spegnere sempre l'elettrotensile e disconnettere la spina di alimentazione dalla rete elettrica.*

- Pulire regolarmente l'involucro con un panno morbido.
- Mantenere le feritoie di ventilazione pulite e libere da polvere e sporco. Se necessario, utilizzare un panno morbido inumidito per rimuovere polvere e sporco dalle feritoie di ventilazione.
- Pulire regolarmente i dischi da taglio per evitare imprecisioni durante l'uso.

### Controllo e sostituzione delle spazzole in carbonio (fig. A)

Le spazzole in carbonio devono essere controllate regolarmente. Se le spazzole in carbonio sono usurate, l'elettrotensile inizierà a funzionare in modo irregolare.



*Utilizzare esclusivamente spazzole in carbonio del tipo corretto.*

- Rimuovere i contenitori porta-spazzole in carbonio (16) utilizzando un cacciavite.
- Pulire le spazzole in carbonio.
- In caso di eccessiva usura, sostituire contemporaneamente entrambe le spazzole in carbonio.
- Montare i contenitori porta-spazzole in carbonio (16) utilizzando un cacciavite.

- Dopo il montaggio di nuove spazzole in carbonio, lasciar ruotare l'elettrotensile a vuoto per 15 minuti.

## GARANZIA

Consultare i termini e le condizioni della garanzia allegata.

## AMBIENTE

### Smaltimento



Il prodotto, gli accessori e l'imballaggio devono essere raccolti separatamente per un riciclaggio ecocompatibile.

### Soltanto per paesi CE.

Non smaltire gli elettrotensili nei contenitori per rifiuti domestici. Ai sensi della Direttiva 2002/96/CE del Parlamento europeo in materia di Rifiuti da apparecchiature elettriche ed elettroniche e della relativa attuazione nell'ambito della legislazione nazionale, gli elettrotensili inutilizzabili devono essere raccolti separatamente e smaltiti in modo ecocompatibile.

Questo prodotto ed il presente manuale utente sono soggetti a modifiche. Le specifiche possono essere modificate senza preavviso.

## MURSPÅRFRÄS WSM1008

Tack för att du valde denna Ferm-produkt. Du har nu fått en utmärkt produkt, levererad av en av Europas ledande leverantörer. Alla produkter som levereras från Ferm är tillverkade enligt de högsta standarderna för prestanda och säkerhet. Som en del av vår filosofi ingår även att vi tillhandahåller en utmärkt kundservice, som även backas upp av vår omfattande garanti. Vi hoppas att du kommer att ha glädje av denna produkt i många år.

## SÄKERHETSVARNINGAR



### VARNING

Läs de medföljande säkerhetsvarningarna, de tillkommande säkerhetsvarningarna och anvisningarna.

Om inte säkerhetsvarningarna och anvisningarna följs kan detta orsaka elstötar, brand och/eller allvariga kroppsskador.

Behåll säkerhetsvarningarna och anvisningarna för framtida bruk.

Följande symboler används i bruksanvisningen eller på produkten:



Läs igenom bruksanvisningen.



Risk för personskada.



Risk för elstöt.



Dra omedelbart ut nätkontakten ur vägguttaget om nätsladden skadas och även under rengöring och underhåll.



Använd skyddsglasögon. Använd hörselskydd.



Använd skyddsmask.



Varning: Laserstråle! Titta aldrig direkt in i laserstrålen. Rikta inte laserstrålen mot människor eller djur.



*Risk för flygande föremål. Håll kringstående borta från arbetsområdet.*



*Dubbelisolerad.*



*Släng inte produkten i olämpliga behållare.*



*Produkten är i överensstämmelse med tillämpliga säkerhetsstandarder i EU-direktiven.*

### Tillkommande säkerhetsvarningar för murspårfräsar

- Arbeta inte med material som innehåller asbest. Asbest betraktas som cancerframkallande.
- Bär skyddsglasögon, hörselskydd och vid behov andra personliga skyddsmedel, t.ex. skyddshandskar, säkerhetsskor etc.
- Avlägsna alla spikar och andra metallföremål ur väggen innan du börjar arbetet.
- Var medveten om dolda rör och kablar när du fräser spår i väggar.
- Håll alltid säkert i maskinen med båda händerna.
- Använd inte maskinen utan skyddskåpan.
- Undersök kapskivorna före användning. Använd aldrig kapskivor som är böjda, spruckna eller på annat sätt skadade.
- Se till att kapskivorna är korrekt ditsatta.
- Kontrollera så att kapskivorna roterar i rätt riktning.
- Använd inte maskinen med kapskivorna riktade uppåt eller åt sidan.
- Använd endast kapskivor som är lämpliga för användning med maskinen.
- Använd endast kapskivor med korrekta mått.
- Använd inga andra tillbehör än kapskivor.
- Använd inte maskinen om det krävs ett maximalt spår djup som är större än kapskivornas maximala spår djup.
- Var noga med att inte händerna rör vid de roterande delarna.
- Arbeta alltid i korrekt arbetsriktning (se indikation på basen).
- Låt maskinen gå utan belastning på en säker plats efter montering av kapskivorna. Om maskinen vibrerar starkt ska maskinen stängas av omedelbart och nätsladden dras ur väggkontakten. Sedan försöker man lösa problemet.

- Tänk på att kapskivorna fortsätter rotera en kort stund efter att maskinen har stängts av. Försök aldrig hjälpa till att få kapskivorna att stanna.
- Placera aldrig maskinen på ett bord eller en arbetsbänk innan den stängts av.

### Bakslag

Bakslag innebär att kapskivorna kastas uppåt och bakåt om de oväntat vidrör ett föremål. Håll maskinen i ett fast grepp med bägge händerna under användning. Håll din uppmärksamhet riktad på arbetet.

Bakslag orsakas vanligen av:

- att de roterande kapskivorna oavsiktligt rör vid hårda föremål eller material;
- trubbiga kapskivor;
- kapskivor som inte är korrekt monterade;
- fräsning i ett tidigare snitt;
- bristande uppmärksamhet under arbetet;
- en ostadig kroppsställning.

### Tillkommande säkerhetsvarningar för lasrar

- Titta aldrig direkt in i laserstrålen.
- Rikta inte laserstrålen mot människor eller djur.
- Rikta inte laserstrålen mot starkt reflekterande material.
- För inte in hårda föremål i laseroptiken.
- Rengör laseroptiken med en mjuk, torr borste.
- Lasern får endast repareras av en kvalificerad tekniker.

### Elektrisk säkerhet



*Kontrollera alltid att strömförsörjningens spänning överensstämmer med spänningen på märkplåten.*

- Använd inte maskinen om nätkabeln eller nätkontakten är skadad.
- Använd endast förlängningskablar som är lämpliga för maskinens nominella effekt, minst 1,5 mm<sup>2</sup> tjocka. Om förlängningskabel på trumma används måste kabeln alltid rullas ut helt.



**TEKNISKA DATA**

WSM1008	
Nätspänning	V~ 230
Nätfrekvens	Hz 50
Ineffekt	W 1.600
Obelastad hastighet	min <sup>-1</sup> 6.000
Spårbredd	mm 8 - 30
Spårdjup	mm 8 - 40
Kapskiva	
Diameter	mm 150
Hål	mm 22,2
Skyddsklass	IP 20
Vikt	kg 6,8

**BULLER OCH VIBRATIONER**

WSM1008	
Bullernivå (Lpa)	dB(A) 98,8
Ljudeffekt (Lwa)	dB(A) 109,8
Osäkerhet (K)	dB(A) 3
Skakas (huvudhandtag)	m/s <sup>2</sup> 3,74
Skakas (extrahandtag)	m/s <sup>2</sup> 3,50
Osäkerhet (K)	m/s <sup>2</sup> 1,5



Använd hörselskydd.

**Vibrationsnivå**

Vibrationsemissionsvärdet som står på baksidan av den här instruktionsboken har uppmätts enligt ett standardiserat test i enlighet med EN 60745; detta värde kan användas för att jämföra vibrationen hos olika verktyg och som en ungefärlig uppskattning av hur stor vibration användaren utsätts för när verktyget används enligt det avsedda syftet

- om verktyget används på ett annat än det avsedda syftet eller med fel eller dåligt underhållna tillbehör kan detta drastiskt öka vibrationsnivån
- när verktyget stängs av eller är på men inte används, kan detta avsevärt minska vibrationsnivån

Skydda dig mot vibration genom att underhålla verktyget och dess tillbehör, hålla händerna varma och styra upp ditt arbetssätt

**BESKRIVNING (FIG. A)**

Denna murspårfräs är konstruerad för att fräsa spår i murverk. Maskinen är endast lämpad för högerhänt bruk.

1. Strömbrytare
2. Spärrknapp
3. Låsspak för spårdjup
4. Skala för spårdjup
5. Djupstopp
6. Spärrknapp axel
7. Skydd
8. Strömbrytare för laser
9. Laser
10. Överbelastningsindikator
11. Bas
12. Hjul (4x)
13. Dammsugaranslutning
14. Huvudhandtag
15. Extrahandtag
16. Kolborsthållare

**MONTERING**

*Innan montering ska du alltid stänga av maskinen och dra ut nätkontakten ur vägguttaget.*

**Byte av kapskivor (fig. B)**

Slitna eller skadade kapskivor måste omedelbart bytas ut.



- Använd endast vassa, oskadade kapskivor.
- Byt alltid båda kapskivorna samtidigt.
- Ta aldrig bort skyddskåpan.
- Tryck in och håll inne spärrknappen för axeln (6) för att låsa axeln (17).
- Lossa den yttre flänsen (18) med flänsnyckeln (19).
- Ta bort den gamla kapskivan (20), brickorna (21), den gamla kapskivan (22) och den inre flänsen (23). Använd vid behov klyvkielen (24) för att ta bort brickorna (21).
- Rengör vid behov flänsarna (18 & 23).
- Sätt dit den inre flänsen (23), en ny kapskiva (22), brickorna (21) och en ny kapskiva (20).
- Dra åt den yttre flänsen (18) med flänsnyckeln (19) ordentligt.
- Släpp axelns spärrknapp (6).

## ANVÄNDNING

### Inställning av spårbredden (fig. C)

Spårbredden kan ställas in med hjälp av brickorna mellan kapskivorna. Antalet brickor mellan kapskivorna bestämmer spårbredden.



- Ställ inte in spårbredden under användning.
- Det måste alltid sitta minst en bricka mellan kapskivorna.
- Bestäm spårbredden.
- Sätt dit nödvändigt antal brickor (21) mellan kapskivorna (20 & 22). Se kapitlet "Byte av kapskivor".

### Inställning av djupstoppet (fig. A & D)

Djupstoppet begränsar det maximala spårdjupet under användning för att förhindra att maskinen skär för djupt i väggen. Spårdjupet kan avläsas på skalan (4).



*Ställ inte in spårdjupet under användning.*

- Lyft djupstoppet (5) en aning från skyddskåpan (7).
- Ställ in djupstoppet (5) i önskat läge.
- Släpp djupstoppet (5) för att låsa det i korrekt läge.

### Inställning av spårdjupet (fig. A & E)

Spårdjupet är variabelt mellan 0 och 40 mm. Spårdjupet kan avläsas på skalan (4).



*Ställ inte in spårdjupet under användning.*

- Lossa på låsspaken (3).
- Luta basen (11) till önskat läge.
- Spänn låsspaken (3).

### Starta och stänga av (fig. A)

- För att starta maskinen, tryck in spärknappen (2) och samtidigt tryck på strömbrytaren (1).
- För att stänga av maskinen, släpp strömbrytaren (1).

### Bruk av lasern (fig. A)

Lasern används för att projicera snittlinjen på väggen.

- För att starta lasern, (9) tryck på strömbrytaren (8).
- För att stänga av lasern (9), släpp strömbrytaren (8).

### Överbelastningsindikator (fig. A)

Överbelastningsindikatorn (10) indikerar om maskinen är överbelastad.

- När maskinen sätts på blinkar överbelastningsindikatorn (10) tre gånger med grönt ljus.
- Om överbelastningsindikatorn (10) tänds med grönt ljus är inte maskinen överbelastad. Maskinen kan användas normalt.
- Om överbelastningsindikatorn (10) blinkar med rött ljus är maskinen överbelastad. Ansätt mindre tryck på maskinen.
- Om överbelastningsindikatorn (10) tänds med rött ljus är maskinen helt överbelastad. Maskinen kommer då att stängas av.

### Dammutsugning (fig. F)

Använd endast maskinen om den är ansluten till en dammsugningsanordning som är godkänd för stendamm. Dammsugningsanordningen måste vara lämplig för det material som arbetet utförs i. Använd en speciell dammsugningsanordning vid arbeten med giftiga material eller om giftigt damm produceras.



- Använd aldrig en vanlig hushållsdammsugare. Om du använder en vanlig hushållsdammsugare kan lätt både din hälsa och dammsugare ta skada.
- Använd alltid dammsugaradaptorn.
- Kontrollera så att dammsugningsanordningens slang är säkert ansluten till dammsugaradaptorn.
- Om dammsugningsanordningen slutar fungera ska arbetet stoppas omedelbart, maskinen ska stängas av och nätkontakten ska dras ur väggkontakten. Sedan försöker man lösa problemet.
- För in dammsugaradaptorn (25) i dammsugaranslutningen (13).
- Dra åt dammsugaradaptorn (25) genom att vrida den medurs tills den låses i läge.
- Anslut dammsugningsanordningens slang till dammsugaradaptorn (25).

### Råd för bästa resultat

- Rita linjer som visar i vilken riktning kapskivorna ska föras.
- Håll maskinen med båda händerna.
- Ställ in spårbredden.
- Ställ in djupstoppet.

- Ta ett av följande steg:
- Sänk ned maskinen i väggen och ställ in spårdjupet (rekommenderas). Maskinen placeras mot väggen och kapskivorna sänks ned mot väggen så att man kan ställa in spårdjupet noggrannare.
- Ställ in spårdjupet och sänk ned maskinen i väggen.
- Placera maskinen med hjulen på väggen. Kontrollera så att kapskivorna är inriktade med linjerna som ritats på väggen.
- Ställ in spårdjupet.
- Starta maskinen.
- Vänta tills maskinen uppnått full hastighet.
- Flytta långsamt maskinen långs med de tidigare ritade linjerna och tryck hjulen stadigt mot väggen.
- Utöva inte för stort tryck på maskinen. Låt maskinen göra arbetet.
- Stäng av maskinen och vänta tills den stannat helt innan du sätter ner maskinen.

## GARANTI

Se de medföljande garantivillkoren.

## MILJÖ

### Bortskaffning



Produkten, tillbehören och förpackningen måste sorteras för miljövänlig återvinning.

### Endast för EU-länder

Släng inte elverktyg i hushållsavfallet. Enligt det europeiska WEEE-direktivet 2002/96/EG för avfall från elektrisk och elektronisk utrustning och dess tillämpning nationellt ska elverktyg som inte längre kan användas samlas in separat och kasseras på ett miljövänligt sätt.

Med förbehåll för ändringar i produkten och bruksanvisningen. Specifikationer kan ändras utan förvarning.

## RENGÖRING OCH UNDERHÅLL



*Innan rengöring och underhåll ska du alltid stänga av maskinen och dra ut nätkontakten ur vägguttaget.*

- Rengör höljet regelbundet med en mjuk trasa.
- Se till att ventilationshålen är fria från damm och smuts. Använd vid behov en mjuk, fuktig trasa för att ta bort damm och smuts från ventilationshålen.
- Rengör kapskivorna regelbundet för att undvika problem och fel under användningen.

### Kontroll och byte av kolborstarna (fig. A)

Kolborstarna måste kontrolleras regelbundet. Om kolborstarna är slitna kommer maskinen att gå ojämnt.



*Använd endast rätt typ av kolborstar.*

- Ta bort kolborsthållarna (16) med en skruvmejsel.
- Rengör kolborstarna.
- Vid slitage måste båda kolborstarna bytas ut samtidigt.
- Sätt dit kolborsthållarna (16) med en skruvmejsel.
- Låt efter montering av nya kolborstar maskinen löpa obelastad i 15 minuter.

## SEINÄPISTOKONE WSM1008

Kiitämme teitä tämän Ferm-tuotteen valinnasta. Olette hankkineet erinomaisen tuotteen, jonka valmistaja on yksi Euroopan johtavia toimittajia. Kaikki Ferm-yhtiön toimittamat tuotteet on valmistettu korkeimpien suorituskyky- ja turvallisuusstandardien mukaan. Osana filosofiaamme tarjoamme myös korkealuokkaisen asiakaspalvelun, jota tukee kokonaisvaltainen takuu.

Toivomme, että tuote palvelee teitä monia vuosia.

### TURVALLISUUSOHJEET



#### VAROITUS

*Lue nämä turvallisuusohjeet, lisävaroitukset ja ohjeet. Mikäli turvallisuusohjeita ja varoituksia ei noudateta, voise se johtaa sähköiskuihin, tulipaloon ja/tai vakavaan henkilövahinkoon. Säilytä turvallisuusohjeet ja varoitukset tulevia käyttökertoja varten.*

Seuraavat merkit esiintyvät käyttöoppaassa tai tuotteessa:



*Lue käyttöohjeet.*



*Henkilövahinkovaara.*



*Sähköiskuvaara.*



*Irrota pistoke välittömästi verkkovirtalähteestä, jos virtajohto on vaurioitunut tai puhdistuksen ja huollon aikana.*



*Käytä suojalaseja.  
Käytä kuulosuojaimia.*



*Käytä hengityssuojaa.*



*Huomio: Lasersäde! Älä katso suoraan lasersäteeseen. Älä suuntaa lasersädettä ihmisiä tai eläimiä kohti.*



*Sinkoilevien osien vaara. Pidä sivulliset henkilöt pois työalueelta.*



*Kaksinkertainen eristys.*



*Älä hävitä tuotetta sopimattomiin jäteastioihin.*



*Tuote täyttää soveltuvien EU-direktiivien turvallisuusstandardit.*

#### Seinäpistosahojen lisäturvallisuusohjeet

- Älä työstä asbestia sisältäviä materiaaleja. Asbesti on karsinogeeninen materiaali.
- Käytä suojalaseja, kuulosuojaimia ja tarvittaessa muita suojarusteita, kuten suojakäsineitä, suojajalkineita, jne.
- Ennen laitteen käyttöä on kaikki naulat ja muut metalliset osat poistettava seinästä.
- Huomaa piilossa olevat putket ja johdot tehdessäsi seiniin uria.
- Pitele konetta aina kaksin käsin.
- Älä käytä konetta ilman suojaa.
- Tarkista leikkuukiekot ennen jokaista käyttökertaa. Älä käytä leikkuukiekoja, jos niissä on taitumia, halkeamia tai muita vaurioita.
- Varmista, että leikkuukiekot on asennettu koneeseen oikein.
- Varmista, että leikkuukiekot pyörivät oikeaan suuntaan.
- Älä käytä konetta, jos leikkuukiekot osoittavat ylöspäin tai sivulle.
- Käytä ainoastaan leikkuukiekoja, jotka sopivat käytettäväksi koneen kanssa.
- Käytä ainoastaan oikean kokoisia leikkuukiekoja.
- Älä käytä koneessa muita lisävarusteita, ainoastaan leikkuukiekoja.
- Älä käytä konetta, jos vaadittu maksimisyvyys ylittää leikkuukiekojen piston maksimisyvyyden.
- Varmista, ettei kätesi osu pyöriiviin osiin.
- Käytä konetta aina oikeaan työstösuuntaan (katso pohjan merkinnät).
- Anna koneen käytä kuormittamattomana turvallisella alueella leikkuukiekojen asennuksen jälkeen. Jos kone tärisee voimakkaasti, sammuta kone välittömästi, irrota sen pistoke verkkovirtalähteestä ja ratkaise ongelma.
- Huomaa, että leikkuukiekot pyörivät edelleen lyhyen aikaa koneen sammutuksen jälkeen. Älä yritä pysäyttää leikkuukiekoja itse.
- Älä koskaan aseta konetta työtasolle tai -pöydälle, ennen kuin se on kytketty pois päältä.

## Takaisin isku

Takaisin isku on leikkuukiekkojen liike ylös- ja taaksepäin silloin, kun leikkuukiekot koskevat odottamattomasti johonkin esineeseen. Pitele konetta käytön aikana varmasti kaksin käsin. Keskeytä koneen käyttöön.

Takaisin isku johtuu yleensä seuraavista syistä:

- koneen pyörivät leikkuukiekot koskettavat kovia esineitä tai materiaaleja ilman ennakoitua;
- leikkuukiekot ovat tylsät;
- leikkuukiekot on asennettu virheellisesti;
- koneella pistetään aikaisempaan pistokohtaan;
- käytön aikana koneen käyttöön ei keskeytetä riittävästi;
- käyttöasento on epävaka.

## Laserien käyttöön liittyviä lisäturvallisuusohjeita

- Älä katso suoraan lasersäteeseen.
- Älä suuntaa lasersädettä ihmisiä tai eläimiä kohti.
- Älä suuntaa lasersädettä voimakkaasti heijastaviin materiaaleihin.
- Älä aseta kovia esineitä laserin optiikkaan.
- Puhdista laserin optiikka pehmeällä ja kuivalla harjalla.
- Laserin saa korjata ainoastaan pätevä teknikko.

## Sähköturvallisuus



*Tarkista aina, että verkkojännite vastaa koneen tyyppikilven merkintöjä.*

- Älä käytä konetta, jos sen virtajohto tai pistoke on vaurioitunut.
- Käytä ainoastaan jatkojohtoja, jotka sopivat koneen nimellistehoon ja joiden vähimmäispaksuus on 1,5 mm<sup>2</sup>. Jos käytät jatkojohdon kelaa, kelaa johto aina kokonaan vapaaksi.

## TEKNISET TIEDOT

WSM1008	
Verkkojännite	V~ 230
Verkkotaajuus	Hz 50
Ottoteho	W 1.600
Kuormittamaton nopeus	min <sup>-1</sup> 6.000
Pistoreiän leveys	mm 8 - 30
Pistoreiän syvyys	mm 8 - 40
Leikkuukiekko	
Halkaisija	mm 150
Pora	mm 22,2
Suojalasi	IP 20
Paino	kg 6,8

## MELU JA TÄRINÄ

WSM1008	
Äänipaine (Lpa)	dB(A) 98,8
Akustinen teho (Lwa)	dB(A) 109,8
Epävarmuus (K)	dB(A) 3
Tärinä (pääkahva)	m/s <sup>2</sup> 3,74
Tärinä (lisäkahva)	m/s <sup>2</sup> 3,50
Epävarmuus (K)	m/s <sup>2</sup> 1,5



*Käytä kuulosuojaimia.*

## Tärinätaso

Tämän ohjekirjan takana mainittu tärinäsäteilytaso on mitattu standardin EN 60745 mukaisen standarditestin mukaisesti; sitä voidaan käyttää verrattaessa yhtä laitetta toiseen sekä alustavana tärinälle altistumisen arviona käytettäessä laitetta manituissa käyttötarkoituksissa

- laitteen käyttö eri käyttötarkoituksiin tai erilaisten tai huonosti ylläpidettyjen lisälaitteiden kanssa voi lisätä merkittävästi altistumistasoa
- laitteen ollessa sammuksissa tai kun se on käynnissä, mutta sillä ei tehdä työtä, altistumistaso voi olla huomattavasti pienempi

Suojaudu tärinän vaikutuksilta ylläpitämällä laite ja sen lisävarusteet, pitämällä kädet lämpiminä ja järjestämällä työmenetelmät

## KUVAUS (KUVA A)

Seinäpistokoneesi on suunniteltu urien tekemiseksi muuriin. Kone sopii vain oikeakätiseen käyttöön.

1. Virtakytkin
2. Lukituksen poistopainike
3. Pistosyvyyden lukitusvipu
4. Urasyvyyden asteikko
5. Syvyyden pysäytin
6. Karan lukituspainike
7. Suoja
8. Laserin virtakytkin
9. Laser
10. Ylikuormituksen osoitin
11. Pohja
12. Pyörä (4x)
13. Pölynpoistoliittymä
14. Pääkahva
15. Lisäkahva
16. Harjanpidin

## ASENNUS



*Ennen asennusta kone on aina kytkettävä pois päältä ja sen pistoke on irrotettava verkkovirtalähteestä.*

### Leikkuukiekkojen vaihto (kuva B)

Kuluneet tai vaurioituneet leikkuukiekot on vaihdettava välittömästi.



- Käytä ainoastaan teräviä ja ehjiä leikkuukiekoja.
- Vaihda aina molemmat leikkuukiekot samanaikaisesti.
- Älä koskaan yritä poistaa suojaa.
- Lukitse kara (17) pitämällä karan lukituspainiketta (6) alhaalla.
- Löysää ulkoinen laippa (18) laippa-avaimella (19).
- Poista vanha leikkuulaippa (20), välikappaleet (21), vanha leikkuukieppo (22) ja sisäinen laippa (23). Käytä tarvittaessa halkaisukillaa (24) välikappaleiden (21) poistamiseen.
- Puhdista tarvittaessa laipat (18 & 23).
- Asenna sisäinen laippa (23), uusi leikkuukieppo (22), välikappaleet (21), ja uusi leikkuukieppo (20).
- Kiristä ulkoinen laippa (18) laippa-avaimella (19).
- Vapauta karan lukituspainike (6).

## KÄYTTÖ

### Uraleveyden asetus (kuva C)

Uran levyys voidaan asettaa välikappaleita käyttäen leikkuukiekkojen välissä. Välikappaleiden lukumäärä leikkuukiekkojen välissä määrittää uran leveyden.



- Älä aseta uran leveyttä käytön aikana.
- Asenna aina vähintään yksi välikappale leikkuukiekkojen väliin.
- Määritä uran leveys.
- Asenna vaadittu määrä välikappaleita (21) leikkuukiekkojen (20 & 22) väliin. Lue luku "Leikkuukiekkojen vaihto".

### Syvyyden rajoittimen asetus (kuva A & D)

Syvyyden rajoitin rajaa uran maksimisyvyyden käytön aikana niin, ettei kone tee liian syvää uraa seinään. Uran syvyys voidaan lukea asteikosta (4).



*Älä aseta uran syvyyden rajoitinta käytön aikana.*

- Nosta hiukan syvyyden rajoitinta (5) suojusta (7).
- Aseta syvyyden rajoitin (5) vaadittuun asentoon.
- Vapauta syvyyden rajoitin (5) sen lukitsemiseksi oikeaan asentoon.

### Uran syvyyden asetus (kuva A & E)

Uran syvyys vaihtelee arvojen 0-40 mm välillä. Uran syvyys voidaan lukea asteikosta (4).



*Älä aseta uran syvyyttä käytön aikana.*

- Löysää lukitusvipua (3).
- Kallista pohja (11) vaadittuun asentoon.
- Kiristä lukitusvipu (3).

### Päälle ja pois päältä kytkentä (kuva A)

- Kytke kone päälle pitämällä lukituksen poistopainiketta (2) painettuna ja painamalla samanaikaisesti virtakytkintä (1).
- Kytke kone pois päältä vapauttamalla virtakytkin (1).

### Laserin käyttö (kuva A)

Laserilla heijastetaan ura seinään.

- Kytke laser (9) päälle painamalla virtakytkintä (8).
- Kytke laser (9) pois päältä vapauttamalla virtakytkin (8).

## Ylikuormituksen osoitin (kuva A)

Ylikuormituksen osoitin (10) osoittaa koneen mahdollisen ylikuormituksen.

- Jos kone kytketään päälle, ylikuormituksen osoittimessa (10) vilkkuu vihreä valo 3 kertaa.
- Jos ylikuormituksen osoittimessa (10) vilkkuu vihreä valo, kone on ylikuormitettu. Koneita voidaan käyttää normaalista.
- Jos ylikuormituksen osoittimessa (10) vilkkuu punainen valo, kone on ylikuormitettu. Kohdista koneeseen vähemmän painetta.
- Jos ylikuormituksen osoittimessa (10) vilkkuu punainen valo, kone on ylikuormitettu. Kone sammuu.

## Pölyn poisto (kuva F)

Käytä konetta ainoastaan silloin, kun se on kytketty imuriin, joka on hyväksytty kivipölylle. Imurin on oltava sopiva työstömateriaaliin nähden. Käytä erityistä imuria työskennellessäsi myrkyllisten materiaalien kanssa tai silloin, kun työstöstä aiheutuu myrkyllistä pölyä.



- Älä koskaan käytä tavallista kotitalouksiin tarkoitettua imuria. Kotitalouksien imurin käyttö voi aiheuttaa terveyshaittoja ja vaurioittaa imuria.
- Käytä aina pölynpoistosovitinta.
- Varmista, että imurin letku on kiinnitetty tiukasti pölynpoistosovittimeen.
- Jos imuri vioittuu, keskeytä toimenpiteet välittömästi, sammuta kone, irrota pistoke verkkovirtalähteestä ja ratkaise ongelma.
- Aseta pölynpoistosovitin (25) pölynpoistoliittimeen (13).
- Kiristä pölynpoistosovitin (25) kääntämällä sitä myötäpäivään, kunnes se lukittuu paikoilleen.
- Liitä imurin letku pölynpoistosovittimeen (25).

## Vinkejä parhaimman tuloksen saamiseksi

- Piirrä viivat seinään määrittääksesi suunnan, johon leikkuukiekkoja ohjataan.
- Pitele konetta kaksin käsin.
- Aseta uran leveys.
- Aseta syvyyden rajoitin.
- Suorita jokin seuraavista toimenpiteistä:
  - Laske kone seinään ja aseta uran syvyys (suositeltavaa). Kone asetetaan seinää vasten ja leikkuukiekot laskeutuvat seinään niin, että uran syvyys asetetaan tarkemmin.
  - Aseta uran syvyys ja laske kone seinään.
  - Aseta kone pyöriä vasten seinään. Varmista, että leikkuukiekot kohdistuvat seinään piirrettyihin viivoihin.

- Aseta uran syvyys.
- Kytke kone päälle.
- Odota, kunnes kone on saavuttanut täyden nopeuden.
- Siirrä kone hitaasti esipiirrettyjä viivoja pitkin painamalla pyöriä tiukasti seinää vasten.
- Älä kohdista koneeseen liikaa painetta. Anna koneen tehdä työ.
- Kytke kone pois päältä ja odota, kunnes kone on pysähtynyt täysin ennen koneen asettamista alas.

## PUHDISTUS JA HUOLTO



*Ennen puhdistusta ja huoltoa kone on aina kytkettävä pois päältä ja sen pistoke on irrotettava verkkovirtalähteestä.*

- Puhdista koneen ulkokuori pehmeällä kankaalla.
- Älä anna pölyn ja lian tukkia tuuletusaukkoja. Puhdista tuuletusaukot pölystä ja liasta tarvittaessa pehmeällä ja kostealla pyyhkeellä.
- Puhdista leikkuukiekot säännöllisesti välttääksesi epätarkkuudet käytön aikana.

## Harjojen tarkistus ja vaihto (kuva A)

Harjat on tarkistettava säännöllisesti. Jos harjat ovat kuluneet, kone toimii epätasaisesti.



*Käytä aina oikeanlaista harjaa.*

- Poista harjanpidikkeet (16) ruuvimeisselillä.
- Puhdista harjat.
- Jos harjat ovat kuluneet, vaihda molemmat harjat samanaikaisesti.
- Asenna harjanpidikkeet (16) ruuvimeisselillä.
- Anna koneen käydä tyhjäkäynnillä 15 minuuttia usien harjojen asennuksen jälkeen.

## TAKUU

Lue takuu ehdot.

## YMPÄRISTÖ

### Hävitys



Tuote, lisävarusteet ja pakkaus on lajiteltava ympäristöystävällistä kierrätystä varten.

### Vain EC-maille

Älä hävitä sähkölaitteita kotitalousjätteen mukana. Sähkö- ja elektroniikkaromua koskevan EU-standardin 2002/96/EY ja vastaavien paikallisten lakien mukaisesti käytetyt sähkölaitteet on hävitettävä erilliskeräyksessä ympäristöystävällisesti.

Tuotteeseen ja käyttöoppaaseen voidaan tehdä muutoksia. Teknisiä tietoja voidaan muuttaa ilmoituksetta.

## VEGGSAG WSM1008

Takk for at du har kjøpt dette produktet fra Ferm. Du har nå et fremragende produkt fra en av Europas ledende leverandører.

Alle produkter fra Ferm produserer i samsvar med de høyeste standarder for ytelse og sikkerhet. Som en del av vår filosofi yter vi fremragende kundeservice og gir en omfattende garanti. Vi håper du vil ha glede av dette produktet i mange år.

## SIKKERHETSADVARSLER



### ADVARSEL

*Les de medfølgende sikkerhetsadvarslene, tilleggsadvarslene og instruksjonene.*

*Hvis du ikke følger sikkerhetsadvarslene og instruksjonene kan dette føre til elektriske støt, brann og/eller alvorlige skader.*

*Ta vare på sikkerhetsadvarslene og instruksjonene for fremtidige oppslag.*

Følgende symboler finnes i håndboken eller på produktet:



*Les brukerhåndboken.*



*Risiko for personskade.*



*Risiko for elektrisk støt.*



*Trekk øyeblikkelig støpslet ut av stikkontakten hvis ledningen skades og når du utfører rengjøring eller vedlikehold.*



*Bruk vernebriller. Bruk hørselsvern.*



*Bruk støvmaske.*



*Forsiktig: Laserstråle! Ikke se direkte inn i laserstrålen. Ikke pek laserstrålen mot mennesker eller dyr.*



*Risiko for flygende objekter. Hold tilskuere på avstand.*





Dobbeltisolert.



Ikke kast produktet på en upassende måte.



Produktet oppfyller gjeldende sikkerhetskrav i EU-direktivene.

### Utfyllende sikkerhetsadvarsler for veggsager

- Ikke arbeid med materialer som inneholder asbest. Asbest anses å være kreftfremkallende.
- Bruk vernebriller, hørselsvern og eventuelt annet verneutstyr som hansker, vernesko osv.
- Før sagen brukes må du fjerne alle spiker og andre metallobjekter fra veggen.
- Vær oppmerksom på skjulte rør og ledninger når du sager spor i vegger.
- Hold alltid maskinen med begge hender.
- Ikke bruk maskinen uten vernet.
- Inspiser kutteskivene før hver bruk. Ikke bruk kutteskiver som er bøyd, sprukket eller skadet på annen måte.
- Påse at kutteskivene er riktig montert.
- Påse at kutteskivene roterer riktig vei.
- Ikke bruk maskinen med kutteskiven pekende opp eller til siden.
- Bruk kun kutteskiver som egner seg til maskinen.
- Bruk kun kutteskiver med riktige dimensjoner.
- Ikke bruk annet tilbehør enn kutteskiver.
- Ikke bruk maskinen når maksimal spordybde som kreves er dypere enn hva kutteskiven kan lage.
- Pass på at hendene ikke berører roterende deler.
- Arbeid alltid i riktig arbeidsretning (se indikasjonen på foten).
- La maskinen gå uten belastning på et sikkert sted etter at du har montert kutteskiven. Hvis maskinen vibrerer for mye må du slå den av med en gang, trekke ut støpslet og forsøke å løse problemet.
- Husk at kutteskiven vil fortsette å rotere en stund etter at du slår av maskinen. Ikke forsøk å stanse kutteskiven manuelt.
- Legg aldri fra deg maskinen på et bord eller en benk før den er slått av.

### Tilbakeslag

Tilbakeslag er kutteskivens brå bevegelse oppover eller bakover når den uventet støter på et hardt objekt. Hold maskinen godt med begge hender. Følg nøye med på det du gjør.

Tilbakeslag forårsakes vanligvis av:

- uventet berøring av harde objekter eller materialer med en roterende kutteskive;
- sløve kutteskiver;
- kutteskiver som er feil montert;
- kutting i et tidligere kutt;
- mangel på oppmerksomhet;
- ustabil arbeidsstilling.

### Utfyllende sikkerhetsadvarsler for lasere

- Ikke se direkte inn i laserstrålen.
- Ikke pek laserstrålen mot mennesker eller dyr.
- Ikke pek laserstrålen mot et speilende materiale.
- Ikke støt harde objekter mot laseroptikken.
- Rengjør laseroptikken med en myk, tørr børste.
- Laseren må kun repareres av en kvalifisert tekniker.

### Elektrisk sikkerhet



Kontroller alltid at forsynt spenning stemmer overens med spenningen på typeskiltet.

- Ikke bruk maskinen hvis strømledningen eller støpslet er skadet.
- Bruk kun skjøteledninger som passer til maskinens nominelle effekt, med en minimumstykkelse på 1,5 mm<sup>2</sup>. Hvis du bruker en skjøteledningstrommel, må hele ledningen ruller ut.

### TEKNISKE DATA

#### WSM1008

Nettspenning	V~ 230
Nettfrekvens	Hz 50
Inngangseffekt	W 1.600
Hastighet uten belastning	min <sup>-1</sup> 6.000
Sporbredde	mm 8 - 30
Spordybde	mm 8 - 40
Kutteskive	
Diameter	mm 150
Boring	mm 22,2
Beskyttelsesklasse	IP 20
Vekt	kg 6,8

## STØY OG VIBRASJON

### WSM1008

Lydtrykk (Lpa)	dB(A)	98,8
Lydkraft (Lwa)	dB(A)	109,8
Usikkerhet (K)	dB(A)	3
Vibrasjon (hovedgrep)	m/s <sup>2</sup>	3,74
Vibrasjon (hjelpegrep)	m/s <sup>2</sup>	3,50
Usikkerhet (K)	m/s <sup>2</sup>	1,5



Bruk hørselsvern.

### Vibrasjonsnivå

Det avgitte vibrasjonsnivået som er angitt bak i denne bruksanvisningen er blitt målt i samsvar med en standardisert test som er angitt i EN 60745; den kan brukes til å sammenligne et verktøy med et annet, og som et foreløpig overslag over eksponering for vibrasjoner ved bruk av verktøyet til de oppgavene som er nevnt

- bruk av verktøyet til andre oppgaver, eller med annet eller mangelfullt vedlikeholdt utstyr, kan gi en vesentlig økning av eksponeringsnivået
- tidsrommene når verktøyet er avslått eller når det går men ikke arbeider, kan gi en vesentlig reduksjon av eksponeringsnivået

Beskytt deg selv mot virkningene av vibrasjoner ved å vedlikeholde verktøyet og utstyret, holde hendene varme og organisere arbeidsmåten din

## BESKRIVELSE (FIG. A)

Veggsagen er beregnet på å sage spor i mur og betong. Maskinen egner seg kun for høyrehendte.

1. På/av-bryter
2. Låseknapp
3. Låsespak for spordybde
4. Skala for spordybde
5. Dybdestopper
6. Spindellåseknapp
7. Vern
8. På/av-bryter for laser
9. Laser
10. Overlastsindikator
11. Fot
12. Hjul (4 stk)
13. Støvavsugkobling
14. Hovedgrep
15. Hjelpegrep
16. Kullbørsteholder

## MONTERING



Før montering må maskinen alltid slås av og støpslet må trekkes ut.

### Utskifting av kutteskiver (fig. B)

Slitte eller skadede kutteskiver må skiftes ut med en gang.



- Bruk kun skarpe og uskadede kutteskiver.
- Skift alltid ut begge kutteskivene samtidig.
- Forsøk aldri å fjerne vernet.
- Hold spindellåseknappen (6) inne for å låse spindelen (17).
- Løsne den ytre flensen (18) med flensenøkkelen (19).
- Fjern den gamle kutteskiven (20), avstandshylsene (21), den gamle kutteskiven (22) og den indre flensen (23). Om nødvendig bruker du kilen (24) til å fjerne avstandshylsene (21).
- Om nødvendig rengjøres flensene (18 & 23).
- Monter den indre flensen (23), den nye kutteskiven (22), avstandshylsene (21) og den nye kutteskiven (20).
- Stram den ytre flensen (18) med flensenøkkelen (19).
- Slipp spindellåseknappen (6).

## BRUK

### Innstilling av sporbredden (fig. C)

Sporbredden kan stilles inn med avstandshylsene mellom de to kutteskivene. Antall avstandshylser mellom kutteskivene bestemmer bredden på sporet.



- Ikke juster sporbredden under bruk.
- Det må alltid sitte minst en avstandshylse mellom kutteskivene.
- Bestem sporbredden.
- Sett på nødvendig antall avstandshylser (21) mellom kutteskivene (20 & 22).  
Se avsnittet "Utskifting av kutteskiver".

### Innstilling av dybdestopperen (fig. A & D)

Dybdestopperen begrenser maksimal spordybde under bruk for å hindre at maskinen sager for dypt i veggen. Spordybden kan leses av på skalaen (4).



*Ikke juster sporbredden under bruk.*

- Løft dybdestopperen (5) lett opp fra vernet (7).
- Sett dybdestopperen (5) i ønsket posisjon.
- Slipp dybdestopperen (5) for å låse den i ønsket posisjon.

### Innstilling av spordybde (fig. A & E)

Spordybden kan variere fra 0 til 40 mm.

Spordybden kan leses av på skalaen (4).



*Ikke juster spordybden under bruk.*

- Løsne på låsespaken (3).
- Tipp foten (11) til ønsket posisjon.
- Stram til låsespaken (3).

### Slå på og av (fig. A)

- For å slå på maskinen holder du låseknappen (2) inne og trykker samtidig på på/av-bryteren (1).
- For å slå av maskinen slipper du på/av-bryteren (1).

### Bruk av laseren (fig. A)

Laseren brukes til å vise kuttet på veggen.

- For å slå på laseren (9) trykker du på/av-bryteren (8).
- For å slå på laseren (9) slipper du på/av-bryteren (8).

### Overlastsindikator (fig. A)

Overlastsindikatoren (10) indikerer når maskinen overbelastes.

- Når maskinen slås på blinker overlastindikatoren (10) tre ganger.
- Hvis overlastsindikatoren (10) lyser grønt, betyr det at maskinen ikke er overbelastet. Maskinen kan brukes normalt.
- Hvis overlastsindikatoren (10) blinker rødt, betyr det at maskinen er overbelastet. Legg lett trykk på maskinen.
- Hvis overlastsindikatoren (10) lyser rødt, betyr det at maskinen er fullstendig overbelastet. Maskinen blir slått av.

### Støvsug (fig. F)

Bruk maskinen kun når den er koblet til en støvsuger som egner seg til steinstøv.

Støvsugeren må egne seg til materialet som du arbeider med. Bruk en spesialstøvsuger når du arbeider med giftige materialer eller når det skapes giftig støv.



- Bruk aldri en vanlig husholdningsstøvsuger. Bruken av en husholdningsstøvsuger kan lett skade både din helse og støvsugeren.
- Bruk alltid støvavsugsadapteren.
- Påse at støvsugerslangen sitter godt festet til støvavsugsadapteren.
- Hvis støvsugeren ikke virker må du slå av maskinen med en gang, trekke ut støpslet og forsøke å løse problemet.
- Sett adapteren (25) inn i støvavsugskoblingen (13).
- Stram til støvavsugsadapteren (25) ved å dreie den med klokken til den låses på plass.
- Koble støvsugerslangen til støvavsugsadapteren (25).

### Råd for optimalt resultat

- Tegn opp streker som du kan styre kutteskivene etter.
- Hold alltid maskinen med begge hender.
- Bestem sporbredden.
- Sett dybdestopperen.
- Gjør ett av følgende:
  - Senk maskinen inn i veggen og still in spordybden (anbefales). Maskinen plasseres mot veggen og kutteskivene senkes inn i veggen for å kunne sette spordybden mer nøyaktig.
  - Sett spordybden og senk maskinen inn i veggen.
- Plasser maskinen med hjulene på veggen. Påse at kutteskivene er på linje med de tegnede strekene på veggen.
- Sett spordybden.
- Slå på maskinen.
- Vent til maskinen har nådd full hastighet.
- Beveg maskinen sakte langs de opptegnede strekene mens du trykker hjulene fast inn mot veggen.
- Ikke legg for mye trykk på maskinen. La maskinen gjøre arbeidet.
- Slå av maskinen og vent til maskinen står helt stille før du setter maskinen ned.

## RENGJØRING OG VEDLIKEHOLD



*Før du rengjør eller vedlikeholder maskinen må du alltid slå den av og trekke ut støpslet.*

- Maskinhuset må rengjøres jevnlig med en klut.
- Hold ventilasjonsåpningene fri for støv og skitt. Om nødvendig bruker du en myk, fuktig klut til å fjerne støv fra ventilasjonsåpningene.
- Rengjør kutteskivene med jevne mellomrom for å unngå unøyaktigheter under bruk.

### Kontroll og utskifting av kullbørster (fig. A)

Kullbørstene må sjekkes jevnlig. Hvis kullbørstene er slitt, vil maskinen begynne å gå ujevnt.



*Bruk kun korrekt type kullbørster.*

- Ta ut kullbørsteholderne (16) med en skrutrekker.
- Rengjør kullbørstene.
- Ved slitasje må begge kullbørster skiftes samtidig.
- Monter kullbørsteholderne (16) med en skrutrekker.
- Etter at de nye kullbørstene er monter skal maskinen kjøres uten belastning i 15 minutter.

## GARANTI

Se vedlagte garantivilkår.

## MILJØ

### Kast



Produktet, tilbehøret og emballasjen bør sorteres ut for miljøvennlig resirkulering.

### Gjelder kun i EU-landene.

Elektriske verktøy må ikke kastes sammen med husholdningsavfall. I henhold til EU-direktiv 2002/96/EC for elektrisk og elektronisk avfall, samt implementering av direktivet i nasjonal lovgivning, skal elektriske verktøy som ikke lenger kan brukes kastes separat og på en miljøvennlig måte. Dette produktet og brukerhåndboken kan bli endret. Spesifikasjoner kan endres uten forvarsel.

## VÆGFRÆSER WSM1008

Tak for, at du har kjøbt dette Ferm produkt. Ved at gjøre dette står du nu med et fantastisk produkt, leveret af en af Europas førende leverandører.

Alle de produkter, som leveres til dig af Ferm, er fremstillet i overensstemmelse med de højeste standarder inden for præstation og sikkerhed. Som en del af vores filosofi tilbyder vi en fremragende kundeservice, som bakkes op af vores omfattende garanti. Vi håber, at du vil bruge dette produkt med glæde i mange år fremover.

## SIKKERHEDSADVARSLER



### ADVARSEL

*Læs de medfølgende sikkerhedsadvarsler, de supplerende sikkerhedsadvarsler og instruktionerne. Såfremt sikkerhedsadvarsler og instruktioner ikke følges, kan dette medføre elektriske stød, brand og/eller alvorlige ulykker. Gem alle sikkerhedsadvarsler og instruktioner til fremtidig reference.*

Følgende symboler anvendes i denne brugermanual eller på produktet:



*Læs brugermanualen.*



*Risiko for personskader.*



*Risiko for elektrisk stød.*



*Fjern straks stikket fra vægstikkontakten, hvis strømkablet bliver beskadiget samt under rengøring og vedligeholdelse.*



*Brug beskyttelsesbriller.  
Brug høreværn.*



*Bær en støvmaske.*



*Forsigtig: Laserstråle! Kig ikke direkte ind i laserstrålen. Vend ikke laserstrålen mod mennesker eller dyr.*



*Risiko for flyvende dele. Hold omkringstående på afstand af arbejdsområdet.*



*Dobbelt isolering.*



*Kassér ikke produktet i en forkert container.*



*Produktet overholder de gældende sikkerhedsstandarder i de europæiske direktiver.*

### Yderligere sikkerhedsadvarsler for vægfræsere

- Arbejd ikke med materialer, som indeholder asbest. Asbest anses for at være kræftfremkaldende.
- Anvend altid sikkerhedsbriller, høreværn og om nødvendigt andre beskyttelsesmidler såsom sikkerhedshandsker, sko etc.
- Fjern alle søm og andre metalgenstande fra væggen, før du begynder arbejdet.
- Vær opmærksom på skjulte rør og ledninger ved fræsning af riller i vægge.
- Hold altid maskinen med to hænder.
- Brug ikke maskinen uden beskyttelsesskjoldet.
- Undersøg skæreskiverne før hver anvendelse. Brug ikke bøjede, revnede eller på anden måde beskadigede skæreskiver.
- Sørg for, at skæreskiverne er korrekt monteret.
- Sørg for, at skæreskiverne roterer i den rigtige retning.
- Brug aldrig maskinen, mens skæreskiverne peger opad eller til siden.
- Brug kun skæreskiver, som er passende til brug med maskinen.
- Brug kun skæreskiver med de rigtige mål.
- Brug ikke andet tilbehør end skæreskiver.
- Brug ikke maskinen, når der kræves en maksimumdybde på rillerne, som overstiger den maksimale dybde på skæreskiverne.
- Pas på, at dine hænder ikke berører de roterende dele.
- Arbejd altid i den korrekte arbejdsretning (se indikeringen i bunden).
- Lad maskinen køre uden belastning på et sikkert sted efter montering af skæreskiverne. Hvis maskinen vibrerer stærkt, så sluk straks for den, fjern stikket fra stikkontakten og forsøg på at løse problemet.
- Vær opmærksom på, at skæreskiverne fortsætter med at rotere, i en kort periode efter at maskinen er slukket. Forsøg aldrig at bringe skæreskiverne til standsning selv.

- Sæt aldrig maskinen fra dig på et bord eller en arbejdsbænk, før den er slukket.

### Tilbageslag

Tilbageslag er skæreskivernes bevægelse op og tilbage, når skæreskiverne uventet berører et andet objekt. Hold fast i maskinen med begge hænder under anvendelse. Hold opmærksomheden fast på handlingen.

Tilbageslag forekommer normalt ved:

- utilsigtet berøring af hårde objekter eller andre materialer med de roterende skæreskiver;
- sløve skæreskiver;
- skæreskiver, som ikke er ordentligt monteret;
- skæring ned i en tidligere rende;
- manglende opmærksomhed på handlingen;
- en ustabil fodstilling.

### Yderligere sikkerhedsadvarsler for lasere

- Kig ikke direkte ind i laserstrålen.
- Vend ikke laserstrålen mod mennesker eller dyr.
- Laserstrålen må ikke peges mod stærkt reflekterende materialer.
- Sæt ikke hårde objekter ind i laseroptikken.
- Rengør laseroptikken med en blød tør børste.
- Få kun laseren repareret af en uddannet tekniker.

### Elektrisk sikkerhed



*Kontroller altid, at strømforsyningsens spænding svarer til spændingen på typeskiltet.*

- Brug ikke maskinen, hvis strømkablet eller stikket er beskadiget.
- Brug kun forlængerledninger, der passer til maskinens spænding og som har en minimumtykkelse på 1,5 mm<sup>2</sup>. Hvis du anvender en kabeltromle, skal kablet altid ruller helt ud.

**TEKNISKE DATA**

<b>WSM1008</b>	
Spænding (lysned)	V~ 230
Netfrekvens	Hz 50
Indgangseffekt	W 1.600
Omdrejningstal/min ubelastet	min <sup>-1</sup> 6.000
Spaltebredde	mm 8 - 30
Spaltetdybde	mm 8 - 40
Skæreskive	
Diameter	mm 150
Akselhul	mm 22,2
Beskyttelsesklasse	P 20
Vægt	kg 6,8

**STØJ OG VIBRATIONER**

<b>WSM1008</b>	
Lydtryk (Lpa)	dB(A) 98,8
Akustisk lydeffekt (Lwa)	dB(A) 109,8
Usikkerhed (K)	dB(A) 3
Vibration (hovedgreb)	m/s <sup>2</sup> 3,74
Vibration (hjælpegreb)	m/s <sup>2</sup> 3,50
Usikkerhed (K)	m/s <sup>2</sup> 1,5



Brug høreværn.

**Vibrationsniveau**

Det vibrationsniveau, der er anført bag på denne betjeningsvejledning er målt i henhold til den standardiserede test som anført i EN 60745; den kan benyttes til at sammenligne to stykker værktøj og som en foreløbig bedømmelse af udsættelsen for vibrationer, når værktøjet anvendes til de nævnte formål

- anvendes værktøjet til andre formål eller med andet eller dårligt vedligeholdt tilbehør, kan dette øge udsættelsesniveauet betydeligt
- de tidsrum, hvor værktøjet er slukket, eller hvor det kører uden reelt at udføre noget arbejde, kan reducere udsættelsesniveauet betydeligt

Beskyt dig selv imod virkningerne af vibrationer ved at vedligeholde værktøjet og dets tilbehør, ved at holde dine hænder varme og ved at organisere dine arbejdsmønstre

**BESKRIVELSE (FIG. A)**

Din vægfræser er designet til at lave furer i murværk. Maskinen er kun egnet til højrehåndede brugere.

1. Tænd/sluk-kontakt
2. Frigørelsesknap
3. Låsegreb til fureddybde
4. Skala for fureddybde
5. Dybdeanslag
6. Aksellåseknop
7. Beskyttelseselement
8. Tænd/sluk-kontakt til laser
9. Laser
10. Overbelastningsindikator
11. Bund
12. Hjul (4x)
13. Støvsugertilslutning
14. Hovedgreb
15. Hjælpegreb
16. Kulbørsteholder

**MONTERING**

Inden montering, skal maskinen altid slukkes, og netstikket skal tages ud af stikkontakten.

**Udskiftning af skæreskiverne (fig. B)**

Brugte eller beskadigede skæreskiver skal udskiftes med det samme.



- Brug udelukkende skarpe og ubeskadigede skæreskiver.
- Udskift altid begge skæreskiverne samtidig.
- Forsøg aldrig at fjerne beskyttelseselementet.
- Hold aksellåseknappen (6) presset ind for at låse akslen (17).
- Løsn den ydre flange (18) ved hjælp af nøglen (19).
- Fjern den gamle skæreskive (20), mellemstykkerne (21), den gamle skæreskive (22) og inderflangen (23). Brug om nødvendigt splitkilen (24) til at fjerne mellemstykkerne (21) med.
- Rengør om nødvendigt flangerne (18 & 23).
- Monter inderflangen (23), den nye skæreskive (22), mellemstykkerne (21) og den nye skæreskive (20).
- Stram den ydre flange (18) godt ved hjælp af nøglen (19).
- Slip aksellåseknappen (6).

## ANVENDELSE

### Indstilling af furebredden (fig. C)

Furebredden kan indstilles ved hjælp af mellemstykkerne mellem skæreskiverne. Antallet af mellemstykker mellem skæreskiverne bestemmer furebredden.



- Indstil ikke furebredden under brugen.
- Læg altid mindst et mellemstykke mellem skæreskiverne.
- Bestem furebredden.
- Monter det nødvendige antal mellemstykker (21) mellem skæreskiverne. Se kapitlet "Udskiftning af skæreskiverne".

### Indstilling af dybdestoppet (fig. A & D)

Dybdestoppet begrænser den maksimale furedybde, så du undgår, at maskinen skærer for langt ind i væggen. Furedybden kan læses på skalaen (4).



*Indstil ikke dybdestoppet under brugen.*

- Løft dybdestoppet (5) let fra beskyttelsesenheden (7).
- Indstil dybdestoppet (5) til den ønskede position.
- Slip dybdestoppet (5), så det låses i den korrekte position.

### Indstilling af furedybden (fig. A & E)

Furedybden kan varieres mellem 0 og 40 mm. Furedybden kan læses på skalaen (4).



*Indstil ikke furedybden under brugen.*

- Løsn låsehåndtaget (3).
- Drej bunden (11) til den ønskede position.
- Spænd låsehåndtaget (3).

### Tænding og slukning (fig. A)

- For at tænde for maskinen, hold frigørelsesknappen (2) nede og samtidig tryk på tænd-/sluk-kontakten (1).
- Løsn tænd/sluk-kontakten (1) for at slukke maskinen.

### Brug af laseren (fig. A)

Laserstrålen bruges til at projicere snittet på muren.

- Tryk på tænd-/sluk-kontakten (8) for at tænde for laseren (9).

- Slip tænd-/sluk-kontakten (8) for at slukke for laseren (9).

### Overbelastningsindikator (fig. A)

Overbelastningsindikatoren (10) viser, om maskinen er overbelastet.

- Hvis maskinen er tændt, blinker overbelastningsindikatoren (10) grønt 3 gange.
- Hvis overbelastningsindikatoren (10) lyser grønt, er maskinen ikke overbelastet. Maskinen kan så bruges normalt.
- Hvis overbelastningsindikatoren (10) blinker rødt, er maskinen overbelastet. Tryk mindre ned på maskinen.
- Hvis overbelastningsindikatoren (10) blinker rødt, er maskinen helt overbelastet. Maskinen vil blive slukket.

### Støvsugning (fig. F)

Brug kun maskinen, når den er tilsluttet en støvsuger, som er godkendt til stenstøv. Støvsugeren skal passe til det materiale, der arbejdes med. Brug en særlig støvsuger, når du arbejder med giftige materialer, eller hvor der produceres giftigt støv.



- Brug aldrig en almindelig husholdningsstøvsuger. Hvis du bruger en sådan, kan du let skade både dit eget helbred og støvsugeren.
- Brug altid støvsugeradapteren.
- Sørg for, at støvsugerens slange sidder godt fast på støvsugeradapteren.
- Hvis støvsugeren bryder sammen, så stop straks arbejdet, sluk for maskinen, fjern stikket fra stikkontakten og forsøg på at løse problemet.
- Sæt støvsugeradapteren (25) ind i støvsugeråbningen (13).
- Stram støvsugeradapteren (25) ved at dreje den med uret, indtil den låses på plads.
- Slut støvsugerens slange til støvsugeradapteren (25).

### Gode råd til optimalt brug

- Tegn linjer, som definerer den retning, du vil guide skæreskiverne i.
- Hold fast i maskinen med begge hænder.
- Indstil furebredden.
- Indstil dybdestoppet.

- Udfør et af følgende trin:
- Sænk maskinen ind mod væggen og indstil fureddybden (anbefales). Maskinen placeres mod væggen, og skæreskiverne sænkes ind i væggen, så fureddybden indstilles mere præcist.
- Indstil fureddybden og sænk maskinen ind i væggen.
- Anbring maskinen med hjulene på væggen. Sørg for, at skæreskiverne er på linje med de tegnede linjer på væggen.
- Indstil fureddybden.
- Tænd maskinen.
- Vent, indtil maskinen er nået op på fuld hastighed.
- Bevæg langsomt maskinen langs de tegnede linjer, mens du presser hjulene hårdt mod væggen.
- Læg ikke for meget pres på maskinen. Lad maskinen gøre arbejdet.
- Sluk for maskinen og vent, til den står helt stille, før maskinen sættes ned.

## RENGØRING OG VEDLIGEHOLDELSE



*Inden rengøring og vedligeholdelse skal maskinen altid slukkes, og netstikket skal tages ud af stikkontakten.*

- Rens regelmæssigt kabinettet med en blød klud.
- Hold ventilationsåbningerne fri for støv og snavs. Brug om nødvendigt en blød fugtig klud til at fjerne støv og snavs fra ventilationsåbningerne.
- Rengør jævnligt skæreskiverne for at undgå unøjagtigheder under brugen.

### Kontrol og udskiftning af kulbørster (fig. A)

Kulbørsterne skal kontrolleres jævnligt. Hvis kulbørsterne er slidt, vil maskinen begynde at køre ujævnt.



*Anvend altid den rigtige type af kulbørster.*

- Fjern kulbørsteholderne (16) ved hjælp af en skruetrækker.
- Rengør kulbørsterne.
- I tilfælde af slitage udskiftes begge kulbørster på samme tid.
- Monter kulbørsteholderne (16) ved hjælp af en skruetrækker.
- Når de nye kulbørster er monteret, skal maskinen køre ubelastet i 15 minutter.

## GARANTI

Se de medfølgende garantibetingelser.

## MILJØ

### Genbrug



Produktet, tilbehøret og emballagen skal sorteres for miljøvenligt genbrug.

### Kun for EU-lande

Smid ikke el-værktøjer ud sammen med almindeligt affald. I henhold til de europæiske direktiver 2002/96/EF for elektrisk og elektronisk udstyr og er implementeret i henhold til nationale rettigheder, el-værktøj som ikke længere er anvendelig skal indsamles separat og genbruges på en miljøvenlig måde.

Produktet og brugermanualen kan ændres. Specifikationerne kan ændres uden forudgående varsel.



## FALHORONYMARÓ WSM1008

Köszönjük, hogy ezen Ferm terméket választotta. Európa egyik vezető beszállítójának, kiváló termékét tartja a kezében.

A Ferm által szállított termékek a legmagasabb teljesítményi és biztonsági szabványok alapján kerülnek legyártásra. Filozófiánk részeként kiváló ügyfélszolgálatot, továbbá átfogó garanciát kínálunk termékeinkhez.

Reméljük, az elkövetkezendő években örömmel fogja használni a készüléket.

### BIZTONSÁGI FIGYELMEZTETÉSEK



#### FIGYELEM

*Olvassa el a csatolt biztonsági figyelmeztetéseket, a kiegészítő biztonsági figyelmeztetéseket és az utasításokat.*

*A biztonsági figyelmeztetések és utasítások be nem tartása áramütést, tüzet és/vagy komoly sérüléseket okozhat.*

*Tartsa meg a biztonsági figyelmeztetéseket és az utasításokat, a jövőben még szüksége lehet rá.*

A következő szimbólumok használatosak a kézikönyvben vagy a terméken:



*Olvassa el a felhasználói kézikönyvet.*



*Személyi sérülés kockázata.*



*Áramütés kockázata.*



*Azonnal húzza ki a kábelt az elektromos hálózathoz, ha a kábel megsérül, illetve tisztítás és karbantartás esetén.*



*Viseljen szemvédőt. Viseljen fülvédőt.*



*Viseljen légzésvédőt.*



*Vigyázz: Lézersugár! Ne nézzen közvetlenül a lézersugárba. A lézersugarat ne irányítsa emberekre vagy állatokra.*



*Repülő tárgyak kockázata. Tartsa távol a bárméskodókat a munkaterülettől.*



*Kétszeresen szigetelt.*



*A terméket ne tárolja nem megfelelő tárolóban.*



*A termék megfelel az európai biztonsági szabványoknak.*

### KIEGÉSZÍTŐ BIZTONSÁGI FIGYELMEZTETÉSEK A FALHORONYMARÓHOZ

- Ne dolgozzon azbeszttel tartalmazó anyagokkal. Az azbeszt egy rákkeltő anyag.
- Viseljen szemvédőt, fülvédőt és amennyiben szükséges egyéb védőfelszereléseket, mint például biztonsági kesztyűt, cipőt, stb.
- Használat előtt távolítsa el minden szöveget és egyéb fémtárgyakat a falból.
- Amikor vajatot vág a falba, figyeljen oda a rejtett csövekre és vezetékekre.
- A készüléket mindig két kézzel fogja.
- Ne használja a készüléket a védőburkolat nélkül.
- Minden használat előtt ellenőrizze a vágókorongokat. Ne használjon elgörbült, törött vagy egyéb módon sérült vágókorongokat.
- Bizonyosodjon meg róla, hogy a vágókorongok megfelelően vannak-e rögzítve.
- Bizonyosodjon meg róla, hogy a vágókorongok a megfelelő irányba forognak.
- Ne használja úgy a készüléket, hogy a vágókorongok felfelé vagy oldalra nézzenek.
- Csak a készülékhez használatához megfelelő vágókorongokat használjon.
- Csak megfelelő méretű vágókorongokat használjon.
- A vágókorongokon kívül ne használjon egyéb kiegészítőket.
- A készüléket ne használja olyan esetekben, amikor a kívánt vágásmélység mélyebb, mint a vágólemezek maximális mélysége.
- Biztosítsa, hogy a kezei ne érjenek a forgó alkatrészekhez.
- Mindig a megfelelő irányban használja a készüléket (a jelzést lásd az alján).
- A vágókorongok felszerelése után egy biztonságos helyen, terhelés nélkül járassa a készüléket. Amennyiben a készülék erősen rezeg, azonnal kapcsolja ki a készüléket, húzza ki a hálózathoz, és próbálja megoldani a problémát.

- Vigyázzon, a készülék kikapcsolása után a vágókorongok egy rövid ideig még tovább forognak. Soha ne kísérelje meg megállítani a vágókorongokat.
- Kikapcsolás előtt soha ne tegye le a készüléket asztalra vagy munkapadra.

### Visszarúgás

A visszarúgás azt a felfelé és lefelé irányuló mozgást jelenti, amikor a vágókorongok váratlanul egy tárgyal találkoznak. Használat közben mindkét kézzel erősen tartsa a készüléket. Használat közben folyamatosan a műveletre koncentráljon.

A visszarúgást általában a következők okozzák:

- a vágólemezek működés közben nem szándékosan kemény tárgyakkal vagy anyagokkal érintkeznek;
- élettelen vágókorongok;
- a vágókorongok nincsenek megfelelően rögzítve;
- egy korábbi vágatba történő vágás;
- nemodafigyelés;
- instabil helyzet.

### KIEGÉSZÍTŐ BIZTONSÁGI FIGYELMEZTETÉSEK A LÉZEREKKEL KAPCSOLATBAN

- Ne nézzon közvetlenül a lézersugárba.
- A lézersugarat ne irányítsa emberekre vagy állatokra.
- Ne irányítja a lézert erősen tükröződő felületekre.
- Ne helyezzen kemény tárgyakat a lézer optikájába.
- A lézer optikáját puha, száraz kefével tisztítsa.
- A lézert csak képzett műszerész javíthatja.

### ELEKTROMOS BIZTONSÁG



*Mindig ellenőrizze, hogy az áramforrás feszültsége megegyezik-e a géptörzslapon feltüntetett feszültséggel.*

- Soha nem használja a készüléket, ha a kábel vagy a csatlakozó sérült.
- Csak olyan hosszabbítót használjon, mely megfelel a készülék névleges teljesítményének, továbbá minimális vastagsága 1,5 mm<sup>2</sup>. Ha feltekerhető hosszabbítót használ, a kábelt mindig teljesen tekerje le.

### MŰSZAKI ADATOK

WSM1008	
Hálózati feszültség	V~ 230
Hálózati frekvencia	Hz 50
Teljesítményfelvétel	W 1.600
Terhelés nélküli sebesség	min <sup>-1</sup> 6.000
Vájatszélesség	mm 8 - 30
Vájtátmélység	mm 8 - 40
Vágókorong	
Átmérő	mm 150
Belső átmérő	mm 22,2
Védelmi osztály	IP 20
Tömeg	kg 6,8

### ZAJ ÉS REZGÉS

WSM1008	
Hangnyomás (Lpa)	dB(A) 98,8
Hangteljesítmény (Lwa)	dB(A) 109,8
Bizonytalanság (K)	dB(A) 3
Rezgés (fő markolat)	m/s <sup>2</sup> 3,74
Rezgés (segédmarkolat)	m/s <sup>2</sup> 3,50
Bizonytalanság (K)	m/s <sup>2</sup> 1,5



*Viseljen fülvédőt.*

### Rezgésszint

Az ezen felhasználói kézikönyv végén megadott rezgés-kibocsátási szint mérése az EN 60745 szabványban meghatározott szabványosított teszttel összhangban történt; ez egy eszköznek egy másik eszközzel történő összehasonlítására, illetve a rezgésnek való kitettség előzetes felmérésére használható fel az eszköznek az említett alkalmazásokra történő felhasználása során

- az eszköznek eltérő alkalmazásokra, vagy eltérő, illetve rosszul karbantartott tartozékokkal történő felhasználása jelentősen emelheti a kitettség szintjét
- az idő, amikor az eszköz ki van kapcsolva, vagy amikor ugyan működik, de ténylegesen nem végez munkát, jelentősen csökkentheti a kitettség szintjét

Az eszköz és tartozékai karbantartásával, kezének melegen tartásával, és munkavégzésének megszervezésével védje meg magát a rezgések hatásaitól

## LEÍRÁS (A. ÁBRA)

A falhoronymaró falazatokba történő vájatok készítésére lett tervezve. A készülék csak jobbkezes használathoz megfelelő.

1. Be/ki kapcsoló
2. Rögzítő gomb
3. Vájatmélység rögzítő kar
4. Vájatmélységi skála
5. Mélységütköző
6. Tengelyzáró gomb
7. Védőburkolat
8. Lézer be/ki kapcsoló
9. Lézer
10. Túlterhelésjelző
11. Alapzat
12. Kerék (4x)
13. Porleválasztó csatlakozása
14. Fő markolat
15. Segédmarkolat
16. Szénkefetartó

- A karima kulcs (19) segítségével erősen szorítsa meg a külső karimát (18).
- Engedje el a tengelyzáró gombot (6).

## HASZNÁLAT

### A vájatszélesség beállítása

#### (C. ábra)

A vájatszélesség a vágókorongok közt található távtartók segítségével állítható be.

A vágókorongok közti távtartók száma határozza meg a vájatszélességet.



- Használat közben ne módosítson a vájatszélességen.
- Legalább egy távtartó mindig legyen a vágókorongok közt.
- Határozza meg a vájatszélességet.
- Szerelje be a kívánt mennyiségű távtartót (21) a vágókorongok között (20 & 22). Olvassa el a "A vágókorongok cseréje" fejezetet.

### A mélységütköző beállítása

#### (A. & D. ábra)

A mélységütköző megakadályozza, hogy használat közben a készülék túl mélyre vágjon a falba. A vájatmélység a skáláról (4) olvasható le.



*Használat közben ne változtasson a mélységütközőn.*

- Kissé húzza el a mélységütközőt (5) a védőburkolattól (7).
- Állítsa be a mélységütközőt (5) a kívánt pozícióra.
- Engedje el a mélységütközőt (5), hogy a megfelelő pozícióban rögzülhessen.

### A vájatmélység beállítása

#### (A. & E. ábra)

A vájatmélység 0 és 40 mm közt változtatható. A vájatmélység a skáláról (4) olvasható le.



*Használat közben ne módosítson a vájatmélységen.*

- Engedje ki a rögzítő kart (3).
- Töltse meg a alapzatot (11) a kívánt pozícióba.
- Szorítsa meg a rögzítő kart (3).

### Be/ki kapcsolás (A. ábra)

- A készülék bekapcsolásához tartsa lenyomva a rögzítő gombot (2), és ezzel egy időben nyomja meg a be/ki kapcsolót (1).

## ÖSSZESZERELÉS



*Szerelés előtt mindig kapcsolja le a készüléket, és húzza ki a dugót a hálózathoz.*

### A vágókorongok cseréje (B. ábra)

A kopott vagy sérült vágókorongokat azonnal ki kell cserélni.



- Kizárólag éles és ép vágókorongokat használjon.
- A két vágókorongot mindig egy időben cserélje ki.
- Soha ne próbálja meg eltávolítani a védőburkolatot.
- Tartsa tengely (17) lezárásához tartsa lenyomva a tengelyzáró gombot (6).
- A karima (18) megglaztításához használja a karima kulcsot (19).
- Távolítsa el a régi vágókorongot (20), az távtartókat (21), a régi vágókorongot (22) és a belső karimát (23). Amennyiben szükséges, a távtartók (21) eltávolításához használja a hasítóéket (21).
- Amennyiben szükséges, tisztítsa meg a karimákat (18 & 23).
- Szerelje be a belső karimát (23), az új vágókorongot (22), a távtartókat (21) és az új vágókorongot (20).

- A készülék lekapcsolásához engedje ki a be/ki kapcsolót (1).

### Lézer használata (A. ábra)

A lézer a falon lévő vágás kivetítéséhez kell.

- A lézer (9) bekapcsolásához nyomja meg a be/ki kapcsolót (8).
- A lézer (9) kikapcsolásához engedje ki a be/ki kapcsolót (8).

### Túlterhelésjelző (A. ábra)

A túlterhelésjelző (10) azt jelzi, hogy a készülék túl van-e terhelve.

- Amennyiben a készülék be van kapcsolva, a túlterhelésjelző (10) háromszor zölden villan.
- Amennyiben a túlterhelésjelző (10) zölden világít, a készülék nincs túlterhelve. A készülék normálisan használható.
- Amennyiben a túlterhelésjelző (10) vörösen villog, a készülék túl van terhelve. Csökkentse a készülék nyomását.
- Amennyiben a túlterhelésjelző (10) vörösen világít, a készülék teljesen túl van terhelve. A készülék lekapcsol.

### Porleválasztás (F. ábra)

Csak akkor használja a készüléket, ha az kőporhoz jóváhagyott elszívóhoz van csatlakoztatva. Az elszívó berendezésnek megfelelőnek kell lennie a munkaanyaghoz. Mérgező anyagokkal történő munkavégzés esetén, vagy amikor mérgező por keletkezik használjon speciális elszívó berendezést.



- Soha ne használjon háztartási porszívót. Háztartási porszívó használata könnyen kárt tehet mind az ön egészségében, mind a porszívóban.
- Mindig használja a porleválasztó méretátalakítóját.
- Bizonyosodjon meg róla, hogy az elszívó berendezés tömlője megfelelően csatlakozzon a porleválasztó méretátalakítójához.
- Amennyiben az elszívó berendezés elromlik, azonnal fejezze be a munkát, kapcsolja ki a készüléket, húzza ki a csatlakozót a hálózathoz és próbálja meg megoldani a problémát.
- Csatlakoztassa a porleválasztó méretátalakítót (25) a porleválasztó csatlakozásához (13).
- Szorítsa meg a porleválasztó méretátalakítóját (25), úgy hogy addig tekeri jobbra, míg az be nem ugrik a helyére.

- Csatlakoztassa az elszívó berendezés tömlőjét a porleválasztó méretátalakítójához (25).

### Tanácsok az optimális használathoz

- Rajzoljon vonalakat, mellyel meghatározza, hogy merre vezesse a vágókorongokat.
- Mindkét kézzel tartsa a készüléket.
- Állítsa be meg a vágátszélességet.
- Állítsa meg a mélységütközőt.
- Válasszon egyet a következő lépések közül:
  - Vágjon bele a készülékkel a falba, és állítsa be a vajatmélységet (javasolt). A készüléket a fal elé helyezi, és a vágókorongok a vajatmélység pontosabb beállítása érdekében belevágnak a falba.
  - Állítsa be a vajatmélységet, majd vágjon bele a készülékkel a falba.
- A készüléket helyezze a fal elé, miközben rajta vannak a kerekerei. Bizonyosodjon meg róla, hogy a vágókorongok hozzáigazodnak a falra rajzolt vonalakhoz.
- Állítsa be meg a vajatmélységet.
- Kapcsolja be a készüléket.
- Várjon amíg a készülék elérni maximális sebességét.
- Lassan mozgassa a készüléket a korábban felrajzolt vonalak mentén, miközben határozottan nyomja a falhoz a kerekereket.
- Ne alkalmazzon túlzott nyomást a készüléken. Hagyja, hogy a készülék végezze el a feladatot.
- Kapcsolja le a készüléket, és várja meg, hogy teljesen leálljon, mielőtt letenné.

## TISZTÍTÁS ÉS KARBANTARTÁS



*Tisztítás és karbantartás előtt mindig kapcsolja le a készüléket, és húzza ki a dugót a hálózathoz.*

- Egy puha ruhával rendszeresen tisztítsa meg a küldő burkolatot.
- Ne hagyja, hogy por és piszok tömítse el a szellőzőlyukakat. Amennyiben szükséges, a szellőzőlyukakban található por és piszok eltávolításához használjon puha, nedves ruhát.
- A pontatlanság elkerülése érdekében gyakran tisztítsa meg a vágókorongokat.

## A szénkefék ellenőrzése és cseréje (A. ábra)

A szénkefeket rendszeresen kell ellenőrizni. Amennyiben a szénkefe elkopott, a készülék nem egyenletesen fog elindulni.



*Csak megfelelő típusú szénkefét használjon.*

- Egy csavarhúzó segítségével távolítsa el a szénkefetartókat (16).
- Tisztítsa meg a szénkefeket.
- Kopás esetén mindkét szénkefét cserélje ki.
- Egy csavarhúzó segítségével rögzítse a szénkefetartókat (16).
- Az új szénkefék beszerelése után, hagyja 15 percig üresjáraton működni a készüléket.

## GARANCIA

Tanulmányozza a garanciával kapcsolatos kifejezéseket.

## KÖRNYEZET

### Selejtezés



A terméket, a kiegészítőket és a csomagolást környezetbarát újrahasznosításhoz kell szétválogatni.

### Csak az Európai Közösség országaiban

Az elektromos eszközöket ne dobja a háztartási hulladékok közé. Az 2002/96/EK Európai Irányelv - Elektromos és elektronikus berendezések hulladékai - és ennek nemzeti szabályozása alapján, azokat az elektromos eszközöket, melyek többé már nem használhatóak, külön kell összegyűjteni, és környezetbarát módon kell megszabadulni tőlük.

A termék és a felhasználói kézikönyv bármikor megváltoztatható. A módosítások további értesítés nélkül végrehajthatók.

## STĚNOVÁ DRÁŽKOVACĀKA WSM1008

Děkujeme Vám za zakoupení produktu firmy Ferm.

Zakoupením jste získali jedinečný výrobek, který dodává jeden z hlavních evropských dodavatelů. Všechny produkty, které dodává firma Ferm, se vyrábí podle nejvyšších výkonostních a bezpečnostních standardů. Součástí naší filozofie je i poskytování prvotřídního zákaznického servisu, který je zajištěn naší komplexní zárukou.

Doufáme, že budete moci používat tento výrobek během mnoha příštích let.

## BEZPEČNOSTNÍ VÝSTRAHY



### VAROVÁNÍ

*Přečtěte si příložená bezpečnostní varování, doplňkové bezpečnostní pokyny a pokyny k obsluze. Nedodržení bezpečnostních varování a pokynů může způsobit elektrický šok, požár, nebo těžké poranění. Ušchovejte si bezpečnostní výstrahy a pokyny pro příští potřebu.*

Následující symboly byly použity v návodě k obsluze nebo na produktu:



*Přečtěte si návod k obsluze.*



*Riziko poranění.*



*Nebezpečí elektrického šoku.*



*Okamžitě vyberte napájecí zástrčku ze sítě, jestli se napájecí kabel poškodil a stejně tak během čištění a údržby.*



*Noste ochranné brýle. Noste pomůcky pro ochranu sluchu.*



*Nasadte si ochrannou masku.*



*Výstraha: Laserový paprsek! Nedívejte se přímo do laserového paprsku. Nemířte laserovým paprskem na lidi nebo zvířata.*



*Nebezpečí odlétávajících předmětů.  
Dbejte, aby se v pracovním prostoru  
nenacházeli kolemstojící osoby.*



*Dvojnásobná izolace.*



*Výrobek nezhazujte do nevhodných  
kontejnerů.*



*Výrobek je v souladu s příslušnými  
bezpečnostními standardy evropských  
směrnic.*

## DOPLŇJÍCÍ BEZPEČNOSTNÍ UPOZORNĚNÍ PRO STĚNOVÉ DRÁŽKOVAČKY

- Nepracujte s materiály, které obsahují azbest. Azbest se považuje za karcinogenní látku.
- Používejte ochranné brýle, chrániče sluchu a v případě potřeby další ochranné pomůcky, jako jsou pracovní rukavice, bezpečnostní obuv atd.
- Před prací odstraňte ze stěny všechny hřebíky a jiné kovové předměty.
- Při vyřezávání drážek do zdí dejte pozor na skrytá potrubí a kabeláž.
- Vždy držte přístroj oběma rukama.
- Nepoužívejte stroj bez chrániče.
- Řezné kotouče zkontrolujte před každým použitím. Nepoužívejte řezné kotouče, které jsou ohnuté, prasklé nebo jinak poškozené.
- Dejte pozor na správné namontování řezných kotoučů.
- Dejte pozor na správný směr otáčení řezných kotoučů.
- Nepoužívejte stroj s řeznými kotouči obrácenými nahoru nebo do strany.
- Používejte pouze řezné kotouče, které jsou vhodné pro použití s tímto strojem.
- Používejte pouze řezné kotouče správných rozměrů.
- Nepoužívejte jiné příslušenství než řezné kotouče.
- Stroj nepoužívejte, pokud se požaduje větší hloubka drážek než je maximální hloubka drážky řezných kotoučů.
- Pozor, aby se vaše ruce nedotýkaly rotujících částí.
- Vždy pracujte ve správném pracovním směru (viz symbol na základně).
- Po namontování řezných kotoučů nechte chvíli stroj běžet na volnoběh v bezpečném prostředí. Když stroj silně vibruje, ihned ho vypněte, vytáhněte zástrčku z napájení a pokuste se problém vyřešit.

- Upozorňujeme, že po vypnutí stroje se řezné kotouče ještě chvíli otáčejí. Nikdy se nepokoušejte zastavit řezné kotouče násilím.
- Nikdy neodkládejte stroj na stůl nebo pracovní lavici, když není vypnutý.

## Zpětný ráz

Zpětný ráz je pohyb řezných kotoučů směrem vpřed a vzad v momentu, kdy se nečekaně dotknou nějakého předmětu. Stroj během práce pevně držte oběma rukama. Soustředte se na vykonávanou činnost.

Zpětný ráz je obvykle zapříčiněn:

- neúmyslným narazením řezných kotoučů na tvrdé předměty nebo materiály;
- tupými řeznými kotouči;
- nesprávně namontovanými řeznými kotouči;
- řezáním do původního zářezu;
- nedostatkem pozornosti při práci;
- nestabilním postojem.

## DOPLŇJÍCÍ BEZPEČNOSTNÍ POKYNY PRO LASERY

- Nedívejte se přímo do laserového paprsku.
- Nemiřte laserovým paprskem na lidi nebo zvířata.
- Nemiřte laserový paprsek na silně reflexní materiál.
- Do laserové optiky nestrkejte tvrdé předměty.
- Laserovou optiku čistěte měkkým a suchým kartáčkem.
- Laser smí opravovat pouze kvalifikovaný technik.

## OCHRANA PŘED ELEKTRICKÝM PROUDEM



*Vždy se přesvědčte, zda-li zdroj  
elektrického napětí odpovídá napětí na  
štítku.*

- Stroj nepoužívejte, pokud je poškozený napájecí kabel nebo zástrčka.
- Používejte jenom prodlužovací kabely vhodné pro jmenovitý výkon stroje s maximální tloušťkou 1,5 mm<sup>2</sup>. Pokud používáte prodlužovací cívku, kabel vždy odvíhete.

## TECHNICKÉ ÚDAJE

WSM1008	
Vstupní napětí	V~ 230
Vstupní kmitočet	Hz 50
Příkon	W 1.600
Otáčky naprázdno	min <sup>-1</sup> 6.000
Šířka drážky	mm 8 - 30
Hloubka drážky	mm 8 - 40
Řezný kotouč	
Průměr	mm 150
Vrtání	mm 22,2
Třída krytí	IP 20
Váha	kg 6,8

## HLUK A VIBRACE

WSM1008	
Akustický tlak (Lpa)	dB(A) 98,8
Akustický výkon (Lwa)	dB(A) 109,8
Nepřesnost (K)	dB(A) 3
Vibrace (hlavní rukojeť)	m/s <sup>2</sup> 3,74
Vibrace (pomocné držadlo)	m/s <sup>2</sup> 3,50
Nepřesnost (K)	m/s <sup>2</sup> 1,5



*Noste pomůcky pro ochranu sluchu.*

### Úroveň vibrací

Úroveň vibrací uvedená na zadní straně tohoto manuálu s pokyny byla měřena v souladu se standardizovaným testem podle EN 60745; je možné ji použít ke srovnání jednoho přístroje s druhým a jako předběžné posouzení vystavování se vibracím při používání přístroje k uvedeným aplikacím

- používání přístroje k jiným aplikacím nebo s jiným či špatně udržovaným příslušenstvím může zásadně zvýšit úroveň vystavení se vibracím
- doba, kdy je přístroj vypnutý nebo kdy běží, ale ve skutečnosti není využíván, může zásadně snížit úroveň vystavení se vibracím

Chraňte se před následky vibrací tak, že budete dbát na údržbu přístroje a příslušenství, budete si udržovat teplé ruce a uspořádáte si své pracovní postupy

## POPIS (OBR. A)

Vaše stěnová drážkovačka je určena k řezání drážek do zdiva. Stroj je vhodný pouze pro používání pravou rukou.

1. Vypínač
2. Pojistný knoflík
3. Jisticí páčka pro hloubku drážky
4. Stupnice hloubky drážky
5. Omezovač hloubky
6. Zajišťovací tlačítko vřetena
7. Chráníč
8. Vypínač laseru
9. Laser
10. Kontrolka přetížení
11. Základna
12. Kolečko (4x)
13. Přípojka odsávání prachu
14. Hlavní rukojeť
15. Pomocné držadlo
16. Držák uhlíkových kartáčků

## KOMPLETACE



*Před zmontováním stroj vždy vypněte a vytáhněte zástrčku z elektrické sítě.*

### Výměna řezných kotoučů (obr. B)

Opotřebované nebo poškozené řezné kotouče se musí ihned vyměnit.



- Používejte pouze ostré a nepoškozené řezné kotouče.
- Vyměňujte naraz oba řezné kotouče.
- Nikdy nezkoušejte odstranit chráníč.
- Pro zajištění vřetena (17) zmáčkněte tlačítko aretace vřetena (6).
- Uvolněte vnější přírubu (18) pomocí přírubového klíče (19).
- Vyjměte starý řezný kotouč (20), rozpěry (21), starý řezný kotouč (22) a vnitřní přírubu (23). V případě potřeby použijte klín (24) pro demontáž rozpěr (21).
- V případě potřeby vyčistěte přírubu (18 & 23).
- Namontujte vnitřní přírubu (23), nový řezný kotouč (22), rozpěry (21) a nový řezný kotouč (20).
- Pevně utáhněte vnější přírubu (18) přírubovým klíčem (19).
- Uvolněte tlačítko aretace vřetena (6).

## POUŽITÍ

### Nastavení šířky drážky (obr. C)

Šířka drážky se nastavuje pomocí rozpěr mezi řeznými kotouči. Počet rozpěr mezi řeznými kotouči vymezuje šířku drážky.



- Během používání nenastavujte šířku drážky.
- Mezi řezné kotouče vždy namontujte aspoň jednu rozpěru.
- Změřte šířku drážky.
- Namontujte potřebný počet rozpěr (21) mezi řezné kotouče (20 & 22). Viz kapitola "Výměna řezných kotoučů".

### Nastavení omezovače hloubky (obr. A & D)

Omezovač hloubky nastavuje maximální hloubku zarážky během práce, aby nedošlo k příliš hlubokému zaboření stroje do zdi. Hloubku drážky lze odečítat ze stupnice (4).



*Během práce nenastavujte omezovač hloubky.*

- Zlehka nadzvedněte omezovač hloubky (5) z chrániče (7).
- Nastavte omezovač hloubky (5) do požadované polohy.
- Pusťte omezovač hloubky (5) tak, aby zapadnul do správné polohy.

### Nastavení hloubky drážky (obr. A & E)

Hloubku drážky lze nastavit v rozmezí 0 až 40 mm. Hloubku drážky lze odečítat na stupnici (4).



*Během práce nenastavujte hloubku drážky.*

- Povolte pojistnou páčku (3).
- Nakloňte základnu (11) do požadované polohy.
- Utáhněte pojistnou páčku (3).

### Zapínání a vypínání (obr. A)

- Během zapínání stroje mějte zmáčknuté pojistné tlačítko (2) a současně zatlačte vypínač (1).
- Přístroj vypněte uvolněním vypínače (1).

### Použití laseru (obr. A)

Laserový paprsek se používá k projekci řezu na zeď.

- Laser (9) zapněte stlačením vypínače (8).
- Laser (9) se vypíná stlačením vypínače (8).

### Kontrolka přetížení (obr. A)

Kontrolka přetížení (10) upozorňuje na přetížení stroje.

- Když se stroj zapne, kontrolka přetížení (10) 3 krát zeleně blikne.
- Když je kontrolka přetížení (10) zelená, stroj není přetížen. Stroj lze normálně užívat.
- Pokud kontrolka přetížení (10) bliká červeně, stroj je přetížený. Působte na stroj menší silou.
- Pokud kontrolka přetížení (10) svítí červeně, stroj je zcela přetížený. Stroj se vypne.

### Odsávání prachu (obr. F)

Stroj používejte pouze s připojeným odsávačem prachu uzpůsobeným na kamenný prach.

Odsávač prachu musí být vhodný pro materiál, který bude odsávat. Pokud pracujete s toxickým materiálem nebo když dochází ke vzniku toxického prachu, použijte speciální odsávač prachu.



- Nikdy nepoužívejte domácí vysavač. Pokud použijete domácí vysavač může velmi jednoduše dojít k poškození vašeho zdraví a zároveň vysavače.
  - Vždy používejte adaptér na odsávání prachu.
  - Ujistěte se, zda je hadice odsávače prachu pevně uchycena na jeho adaptér.
  - Pokud odsávač prachu přestane fungovat, ihned přerušete práci, vypněte stroj, vytáhněte zástrčku z elektrické sítě a pokuste se problém vyřešit.
  - Do přípojky odsávání prachu (13) zasuňte adaptér odsávače prachu (25).
  - Upevněte adaptér odsávače prachu (25) jeho pootočením ve směru hodinových ručiček, až dokud nezaklapne na své místo.
  - Na adaptér odsávače prachu (25) připojte hadici odsávače prachu.
- ### Užitečné rady pro práci s nářadím
- Nakreslete si čáry za účelem vymezení směru, kterým je nutno vést kotouče.
  - Stroj držte oběma rukama.
  - Nastavte šířku drážky.
  - Nastavte omezovač hloubky.
  - Proveďte jeden z následujících úkonů:
    - Přiložte stroj ke zdi a nastavte hloubku zarážky (doporučované). Stroj se přiloží ke zdi a řezné kotouče se zapustí do zdi za účelem přesnějšího zaměření hloubky zarážky.
    - Nastavte hloubku zarážky a přiložte stroj ke zdi.



- Přiložte stroj s kotouči ke zdi. Zkontrolujte zarovnání řezných kotoučů s čarami narysovanými na zdi.
- Nastavte hloubku drážky.
- Zapněte stroj.
- Vyčkejte, dokud stroj nedosáhne plnou provozní rychlost.
- Pomalu posouvejte stroj podél předkreslených čar s pevným přitlakem na kotouče proti zdi.
- Nevyvíjejte nadměrný tlak na stroj. Nechejte, aby stroj sám vykonal práci.
- Stroj vypněte a čekejte, až se zcela zastaví. Poté ho můžete odložit.

## OCHRANA ŽIVOTNÍHO PROSTŘEDÍ

### Likvidace



Výrobek, příslušenství a obal se musí separovat za účelem recyklace chránící životní prostředí.

### Pouze pro krajiny ES

Elektricky napájené zařízení neodhazujte do domovního odpadu. Ve smyslu evropské směrnice 2002/96/ES o elektrickém a elektronickém odpadu a její implementace od národního práva, se musí elektrické nástroje, které se již déle nepoužívají, shromažďovat odděleně a likvidovat pouze způsobem, jenž nepoškozuje životní prostředí.

Výrobek a návod k obsluze podléhají změnám. Technické údaje je možné změnit bez předchozího upozornění.

## ČISTĚNÍ A ÚDRŽBA



*Před čištěním a údržbou stroj vždy vypněte a vytáhněte zástrčku z elektrické sítě.*

- Povrch stroje pravidelně čistěte měkkou tkaninou.
- Ventilační otvory udržujte čisté bez prachu a nečistot. V případě potřeby použijte měkkou, navlhčenou tkaninu k odstranění prachu a nečistot z ventilačních otvorů.
- Pravidelně čistěte řezné kotouče, aby nedocházelo k nepřesnostem během používání.

### Kontrola a výměna uhlíkových kartáčů (obr. A)

Uhlíkové kartáče se musí pravidelně kontrolovat. Když se uhlíkové kartáče opotřebují, stroj začne nepravidelně pracovat.



*Používejte výhradně uhlíkové kartáče správného typu.*

- Složte držáky uhlíkových kartáčků (16) pomocí šroubováku.
- Vyčistěte uhlíkové kartáče.
- V případě opotřebení vyměňte oba uhlíkové kartáče současně.
- Namontujte držáky uhlíkových kartáčků (16) pomocí šroubováku.
- Po namontování nových uhlíkových kartáčků nechte stroj běžet asi 15 minut bez zátěže.

## ZÁRUKA

Prostudujte si přiložené záruční podmínky.

## STENOVÁ DRÁŽKOVÁČKA WSM1008

Ďakujeme Vám za zakúpenie výrobku firmy Ferm. Zakúpením ste získali jedinečný výrobok, ktorý dodáva jeden z hlavných európskych dodávateľov.

Všetky výrobky, ktoré dodáva firma Ferm, sa vyrábajú podľa najvyšších výkonnostných a bezpečnostných štandardov. Súčasťou našej filozofie je takisto poskytovanie vynikajúceho zákaznickeho servisu, ktorý je zaistený našou komplexnou zárukou.

Dúfame, že budete môcť využívať tento výrobok počas mnohých nasledujúcich rokov.

### BEZPEČNOSTNÉ VAROVANIA



#### VAROVANIE

Prečítajte si priložené bezpečnostné varovania, doplnkové bezpečnostné pokyny a pokyny na obsluhu. Nedodržanie bezpečnostných varovaní a pokynov môže spôsobiť elektrický šok, požiar, prípadne ťažké poranenie. Odložte si bezpečnostné varovania a pokyny pre budúcu potrebu.

Nasledujúce symboly boli použité v návode na obsluhu alebo na výrobku.



Prečítajte si návod na obsluhu.



Riziko poranenia.



Riziko elektrického šoku.



Ihneď vyberte napájaciu zástrčku zo siete, ak sa napájací kábel poškodil a takisto počas čistenia a údržby.



Nasadzte si ochranné okuliare. Používajte ochranu sluchu.



Nasadzte si ochrannú masku proti prachu.



Upozornenie: Laserový lúč! Nepozerajte priamo do laserového lúča. Nemierte laserovým lúčom na ľudí alebo zvieratá.



Nebezpečenstvo odletujúcich predmetov. Dbajte na to, aby sa v pracovnom priestore nenachádzali okolostojace osoby.



Dvojité izolácia.



Výrobok zahodte do vhodného kontajnera.



Výrobok je v súlade s príslušnými bezpečnostnými štandardmi európskych smerníc.

### DODATOČNÉ BEZPEČNOSTNÉ VAROVANIA PRE STENOVÉ DRÁŽKOVÁČKY

- Nevrtajte do materiálov obsahujúcich azbest. Azbest sa považuje za karcinogén.
- Používajte bezpečnostné okuliare, ochranu sluchu a ak je potrebné aj iné ochranné pomôcky, ako sú pracovné rukavice, bezpečnostnú obuv atď.
- Pred použitím odstráňte zo steny všetky klince a iné kovové objekty.
- Pri rezaní drážok do stien dajte pozor na skryté potrubia a kabeláž.
- Prístroj držte vždy oboma rukami.
- Nepoužívajte stroj bez chrániča.
- Rezný kotúč skontrolujte pred každým použitím. Nepoužívajte rezné kotúče, ktoré sú ohnuté, popraskané alebo inak poškodené.
- Dajte pozor na správne namontovanie rezných kotúčov.
- Dajte pozor na správny smer otáčania rezných kotúčov.
- Nepoužívajte stroj s reznými kotúčmi obrátenými nahor alebo nabok.
- Používajte len rezné kotúče, ktoré sú vhodné na použitie s týmto strojom.
- Používajte iba rezné kotúče správnych rozmerov.
- Nepoužívajte iné príslušenstvo ako rezné kotúče.
- Nepoužívajte prístroj, ak sa požaduje väčšia hĺbka drážok ako je maximálna hĺbka drážky rezných kotúčov.
- Pozor, aby sa vaše ruky nedotýkali rotujúcich častí.
- Vždy pracujte v správnom pracovnom smere (pozrite symbol na základni).
- Po namontovaní rezných kotúčov nechajte stroj bežať na voľnobeh v bezpečnom prostredí. Ak stroj silne vibruje, ihneď ho vypnite, vytiahnite zástrčku z napájania a pokúste sa vyriešiť problém.

- Upozorňujeme, že po vypnutí stroja sa rezné kotúče ešte chvíľu otáčajú. Nikdy sa nepokúšajte zastaviť rezné kotúče nasilu.
- Nikdy nedávajte stroj dolu na stôl alebo na pracovnú lavicu, ak nebol vypnutý.

### Spätný ráz

Spätný ráz je pohyb rezných kotúčov smerom vpred a vzad v momente, keď sa neočakávane dotknú predmetu. Prístroj počas používania pevne držte obomi rukami. Sústreďte sa na vykonávanú činnosť.

Spätný ráz je zvyčajne zapríčinený:

- neumýšleným narazením rezných kotúčov na tvrdé predmety alebo materiály;
- tupými reznými kotúčmi;
- nesprávne namontovanými reznými kotúčmi;
- rezaním do pôvodného zárezu;
- nedostatkom pozornosti pri práci;
- nestabilným postojom;

### DOPLNKOVÉ BEZPEČNOSTNÉ VAROVANIA PRE LASERY

- Nepozerajte priamo do laserového lúča.
- Nemierite laserovým lúčom na ľudí alebo zvieratá.
- Nemierite laserový lúč na silne reflexný materiál.
- Do laserovej optiky nestrkajte tvrdé predmety.
- Laserovú optiku čistite mäkkou, suchou kefkou.
- Laser smie opravovať len kvalifikovaný technik.

### OCHRANA PRED ELEKTRICKÝM PRÚDOM



Vždy sa presvedčte, či zdroj elektrického napätia zodpovedá napätiu na štítiku.

- Stroj nepoužívajte, ak je poškodený napájací kábel alebo zástrčka.
- Používajte iba predĺžovacie káble, ktoré sú vhodné na menovitý výkon stroja s maximálnym prierezom 1,5 mm<sup>2</sup>. Ak používate predĺžovaciu cievku, vždy odviňte kábel.

### TECHNICKÉ ÚDAJE

WSM1008	
Napätie	V~ 230
Frekvencia	Hz 50
Príkon	W 1.600
Otáčky naprázdno	min <sup>-1</sup> 6.000
Šírka drážky	mm 8 - 30
Hĺbka drážky	mm 8 - 40
Rezný kotúč	
Priemer	mm 150
Vrt	mm 22,2
Trieda ochrany	IP 20
Hmotnosť	kg 6,8

### HLUK A VIBRÁCIE

WSM1008	
Akustický tlak (Lpa)	dB(A) 98,8
Akustický výkon (Lwa)	dB(A) 109,8
Nepresnosť (K)	dB(A) 3
Vibrácie (hlavná rukoväť)	m/s <sup>2</sup> 3,74
Vibrácie (pomocné držadlo)	m/s <sup>2</sup> 3,50
Nepresnosť (K)	m/s <sup>2</sup> 1,5



Používajte ochranu sluchu.

### Hladina vibrácií

Hladina emisií od vibrácií uvedená na zadnej strane tohto návodu na obsluhu bola nameraná v súlade s normalizovaným testom uvedeným v norme EN 60745; môže sa používať na vzájomné porovnávanie náradí a na predbežné posúdenie vystavenia účinkom vibrácií pri používaní náradia pre uvedené aplikácie

- používanie náradia na rôzne aplikácie, alebo v spojení s rôznymi alebo nedostatočne udržiavanými doplnkami môže značne zvýšiť úroveň vystavenia
- časové doby počas ktorých je je náradie vypnuté alebo počas ktorých náradie beží ale v skutočnosti nevykonáva prácu môžu značne znížiť úroveň vystavenia

Chráňte sa pred účinkami vibrácií tak, že budete náradie a jeho príslušenstvo správne udržiavať, tak že nebudete pracovať so studenými rukami a tak že si svoje pracovné postupy správne zorganizujete

## POPIS (OBR. A)

Vaša stenová drážkovačka je určená na rezanie drážok do muríva. Prístroj je určený na použitie len pre pravákov.

1. Sieťový vypínač
2. Poistné tlačidlo
3. Zaisťovacia páka pre hĺbku drážky
4. Stupnica pre hĺbku drážky
5. Hĺbková zarážka
6. Uzatvárací gombík vretena
7. Chránič
8. Vypínač lasera
9. Laser
10. Indikátor preťaženia
11. Základňa
12. Koliesko (4x)
13. Pripojenie odsávania prachu
14. Hlavná rukoväť
15. Pomocné držadlo
16. Držiak uhlíkových kief

## ZLOŽENIE



*Pred zložením vždy stroj vypnite a vytiahnite zástrčku z elektrickej siete.*

### Výmena rezných kotúčov (obr. B)

Opotrebované alebo poškodené rezné kotúče sa musia okamžite vymeniť.



- Používajte iba ostré a nepoškodené rezné kotúče.
- Vymieňajte naraz obidva rezné kotúče.
- Nikdy sa nepokúšajte odstrániť chránič.
- Na zaistenie vretena (17) stlačte zaisťovacie tlačidlo (6).
- Uvoľnite vonkajšiu prírubu (18) pomocou prírubového kľúča (19).
- Vyberte starý rezný kotúč (20), rozperry (21), starý rezný kotúč (22) a vnútornú prírubu (23). V prípade potreby použite klin (24) na demontáž rozpier (21).
- V prípade potreby vyčistite prírubu (18 & 23).
- Namontujte vnútornú prírubu (23), nový rezný kotúč (22), rozperry (21) a nový rezný kotúč (20).
- Pevne dotiahnite vonkajšiu prírubu (18) pomocou prírubového kľúča (19).
- Uvoľnite zaisťovacie tlačidlo vretena (6).

## POUŽITIE

### Nastavenie šírky drážky (obr. C)

Šírka drážky sa nastavuje pomocou rozpier medzi reznými kotúčmi. Počet rozpier medzi reznými kotúčmi určuje šírku drážky.



- Počas používania nenastavujte šírku drážky.
- Medzi rezné kotúče vždy namontujte aspoň jednu rozperu.
- Odmerajte šírku drážky.
- Namontujte potrebný počet rozpier (21) medzi reznými kotúčmi (20 & 22). Pozrite si kapitolu "Výmena rezných kotúčov".

### Nastavovanie hĺbkovej zarážky (obr. A & D)

Hĺbková zarážka obmedzuje maximálnu hĺbku zarážky počas používania, aby nedošlo k príliš hlbokému zaboreniu stroja do steny. Hĺbku drážky je možné odčítať zo stupnice (4).



*Počas používania nenastavujte hĺbkovú zarážku.*

- Ľahko nadvihnite hĺbkovú zarážku (5) na chrániči (7).
- Nastavte hĺbkovú zarážku (5) do požadovanej polohy.
- Pustite hĺbkovú zarážku (5) tak, aby zapadla do správnej polohy.

### Nastavenie hĺbky drážky (obr. A & E)

Hĺbku drážky je možné nastaviť v rozmedzí 0 až 40 mm. Hĺbku drážky je možné odčítať zo stupnice (4).



*Počas používania nenastavujte hĺbku drážky.*

- Povoľte zaisťovaciu páčku (3).
- Nakloňte základňu (11) do požadovanej polohy.
- Zatiahnite zaisťovaciu páčku (3).

### Zapnutie a vypnutie (obr. A)

- Pri zapínaní stroja majte stlačené poistné tlačidlo (2) a zároveň stlačte vypínač (1).
- Prístroj vypnite uvoľnením vypínača (1).

### Použitie lasera (obr. A)

Laserový lúč sa používa na projekciu rezu na stenu.

- Laser (9) zapnete stlačením vypínača (8).
- Laser (9) vypnete stlačením vypínača (8).

## Indikátor preťaženia (obr. A)

Indikátor preťaženia (10) upozorňuje na preťaženie stroja.

- Ak sa stroj zapne, indikátor preťaženia (10) 3 krát zelene blikne.
- Ak je indikátor preťaženia (10) zelený, stroj nie je preťažený. Stroj je možné normálne používať.
- Ak indikátor preťaženia (10) červene bliká, stroj je preťažený. Na stroj vyvíjajte menší tlak.
- Ak indikátor preťaženia (10) červene svieti, stroj je úplne preťažený. Stroj sa vypne.

## Odsávanie prachu (obr. F)

Stroj používajte, len ak je pripojený na odsávač prachu upravený na kamenný prach. Odsávač prachu musí byť vhodný na materiál, ktorý bude odsávať. Ak pracujete s toxickým materiálom alebo ak dochádza ku vzniku toxického prachu, použite špeciálny odsávač prachu.



- Nikdy nepoužívajte domáci vysávač. Ak použijete domáci vysávač môže veľmi ľahko dôjsť ku poškodeniu vášho zdravia a zároveň vysávača.
- Vždy používajte násadu na odsávanie prachu.
- Ubezpečte sa, či je hadica odsávača prachu pevne pripojená na jeho násadu.
- Ak odsávač prachu prestane fungovať, ihneď prerušte prácu, vypnite stroj, vyťahnite zástrčku z elektrickej siete a pokúste sa problém odstrániť.
- Do prípojky na odsávanie prachu (13) zasuňte násadu odsávača prachu (25).
- Upevnite násadu odsávača prachu (25) jej pootočením v smere hodinových ručičiek, pokiaľ nezaklapne na svoje miesto.
- Na násadu odsávača prachu (25) pripojte hadicu odsávača prachu.

## Užitočné rady pre prácu s náradím

- Nakreslite si čiary za účelom vymedzenia smeru, ktorým je potrebné kotúče viesť.
- Prístroj držte oboma rukami.
- Nastavte šírku drážky.
- Nastavte hĺbkovú zarážku.
- Vykonajte jeden z nasledujúcich krokov:
  - Priložte stroj ku stene a nastavte hĺbkovú zarážku (odporúčane). Stroj je položený na stenu a rezné kotúče sa zapustia do steny za účelom presnejšieho zamerania hĺbkovú zarážku.

- Nastavte hĺbkovú zarážku a priložte stroj na stenu.
- Položte stroj s kotúčmi na stenu. Skontrolujte zarovnanie rezných kotúčov s čiarami narysovanými na stene.
- Nastavte hĺbkovú drážku.
- Zapnite stroj.
- Počkajte, pokiaľ stroj nedosiahne plnú rýchlosť.
- Pomaly posúvajte stroj pozdĺž predkreslených čiar pevne pridržiavajúc kotúče oproti stene.
- Nevyšivajte nadmerný tlak na stroj. Nechajte, aby stroj sám vykonával prácu.
- Stroj vypnite a počkajte, kým sa celkom nezastaví. Až potom ho odložte.

## ČISTENIE A ÚDRŽBA



*Pred čistením a údržbou stroj vždy vypnite a vyťahnite zástrčku z elektrickej siete.*

- Povrch stroja pravidelne čistite mäkkou tkaninou.
- Ventiláčny otvor udržiavajte čistý bez prachu a nečistôt. V prípade potreby použite mäkkú, navlhčenú tkaninu na odstránenie prachu a nečistôt z ventiláčnych otvorov.
- Pravidelne čistite rezné kotúče, aby nedochádzalo k nepresnostiam počas používania.

## Kontrola a výmena uhlíkových kefiek (obr. A)

Uhlíkové kefky sa musia pravidelne kontrolovať. Ak sa uhlíkové kefky opotrebojú, stroj začne nepravidelne pracovať.



*Používajte výhradne uhlíkové kefky správneho typu.*

- Zložte držiaky uhlíkových kefiek (16) pomocou skrutkovača.
- Vyčistite uhlíkové kefky.
- V prípade opotrebovania vymeňte oba uhlíky súčasne.
- Namontujte držiaky uhlíkových kefiek (16) pomocou skrutkovača.
- Po namontovaní nových uhlíkových kefiek nechajte stroj bežať asi 15 minút bez záťaže.

## ZÁRUKA

Pozrite si priložené záručné podmienky.

## ZIVOTNE PROSTREDIE

### Likvidacija



Výrobok, príslušenstvo a obal sa musia separovať za účelom recyklácie chrániacej životné prostredie.

### Len pre štáty ES

Elektricky napájané zariadenia neodhadzujte do domového odpadu. Podľa európskej smernice 2002/96/ES o elektrickom a elektronickom odpade a jej implementácie do národného práva, elektrické nástroje, ktoré sa už ďalej nepoužívajú, sa musí zhromažďovať samostatne a likvidovať iba ekologicky prijateľným spôsobom.

Výrobok a návod na obsluhu podliehajú zmenám. Technické údaje sa môžu zmeniť bez predchádzajúceho upozornenia.

## REZKALNIK ZIDNIH UTOROV WSM1008

Hvala, ker ste kupili ta Fermov izdelek. S tem ste si zagotovili odličien izdelek, ki vam ga je dobavil eden vodilnih evropskih dobaviteljev.

Vsi izdelki, ki vam jih dobavi Ferm, so izdelani po najvišjih standardih varnosti in učinkovitosti. Del naše filozofije je tudi odlična podpora strankam, ki se odraža tudi v naši obsežni garanciji.

Upamo, da vam bo ta izdelek odlično služil še dolgo vrsto let.

## VARNOSTNA OPOZORILA



### OPOZORILO

*Preberite priložena varnostna opozorila, dodatna varnostna opozorila in navodila. Če ne sledite varnostnim opozorilom ali navodilom, to lahko privede do električnega udara, požara in/ali hudih poškodb.*

*Varnostna opozorila in navodila si shranite tudi za v prihodnje.*

Sledeči simboli so v rabi v navodilih in na izdelku:



*Preberite navodila za uporabnika.*



*Tveganje telesnih poškodb.*



*Tveganje električnega udara.*



*Takoj izklopite napajanje iz električne napeljave, če se napeljava poškoduje in med čiščenjem in vzdrževanjem.*



*Nosite zaščito za oči. Nosite zaščito za ušesa.*



*Nosite masko za prah.*



*Pozor: Laserski žarek! Ne glejte naravnost v laserski žarek. Ne usmerite laserskega žarka v ljudi ali živali.*



*Nevarnost letečih delcev. Ljudje naj se ne zadržujejo v delovnem območju.*



*Dvojno izoliran.*



*Tega izdelka ne vrzite stran v neprimerne posode za smeti.*



*Ta izdelek je v skladu s primernimi varnostnimi standardi Evropskih direktiv.*

## **DODATNA VARNOSTNA OPOZORILA ZA REZKALNIK ZIDNIH UTOROV**

- Ne obdelujte materialov, ki vsebujejo azbest. Azbest povzroča raka.
- Nosite zaščito za oči, ušesa in po potrebi tudi drugi zaščitno opremo, kot so zaščitne rokavice, čevlji in podobno.
- Pred uporabo odstranite vse žeblje in druge kovinske predmete iz stene.
- Zavedajte se, kje so skrite cevi in žice, preden začnete rezati v stene.
- Vedno držite stroj z obema rokama.
- Ne uporabljajte stroja brez ščitnika.
- Pred vsako uporabo pregledajte rezalna diska. Ne uporabljajte rezalnih diskov, če sta upognjena, počena ali drugače poškodovana.
- Prepričajte se, da sta rezalna diska pravilno nameščena.
- Prepričajte se, da se rezalna diska vrtita v pravo smer.
- Ne uporabljajte stroja, če sta rezalna diska usmerjena navzgor ali v stran.
- Uporabite samo tiste rezalne diske, ki so primerni za ta stroj.
- Uporabite samo prav velike rezalne diske.
- Ne uporabljajte drugih pripomočkov razen rezalnih diskov.
- Ne uporabljajte stroja, če želite imeti večjo globino reza, kot je največja možna globina reza rezalnih diskov.
- Zagotovo se ne dotikajte premikajočih se delov.
- Vedno delajte v pravo smer dela (glejte oznako na bazi stroja).
- Naj stroj teče brez obremenitve na varnem mestu, potem ko ste namestili rezalna diska. Če stroj močno vibrira, ga takoj ugasnite, izklopite napajanje in skušajte odpraviti problem.
- Zavedajte se, da se, potem ko ste ugasnili stroj, rezalna diska še nekaj časa vrtita. Ne skušajte sami ustaviti rezalnih diskov.
- Nikoli ne položite stroja na mizo ali klop, če je še prižgan.

## **Povratni sunek**

Povratni sunek je premik rezalnih diskov gor in nazaj, ko rezalna diska nepričakovano zadaneta ob kak predmet. Med delom čvrsto držite stroj z obema rokama. Vedno imejte pozornost usmerjeno na delo.

Povratne sunke ponavadi povzročijo:

- nenameren stik s trdimi predmeti ali materiali z vrtečima se rezalnima diskoma;
- topa rezalna diska;
- nepravilno nameščena rezalna diska;
- rezanje v že odrezano mesto;
- nepazljivost med delom;
- nepravilna stojaja.

## **DODATNA VARNOSTNA OPOZORILA ZA LASERJE**

- Ne glejte naravnost v laserski žarek.
- Ne usmerite laserskega žarka v ljudi ali živali.
- Ne usmerite laserskega žarka v močno odsevne materiale.
- Ne vtikajte trdih predmetov v lasersko optiko.
- Čistite lasersko optiko z mehko, suho krtačo.
- Laser naj popravljajo samo usposobljeni tehniki.

## **ELEKTRIČNA VARNOST**



*Vedno zagotovite, da je napetost napajanja enaki napetosti na ploščici s tehničnimi podatki o stroju.*

- Ne uporabljajte stroja, če sta poškodovana kabel ali vtič za napajanje.
- Uporabite samo podaljške, ki so primerni za napetost stroja in imajo debelino najmanj 1,5 mm<sup>2</sup>. Če uporabite kolut s podaljškom, vedno čisto odvijte kabel.

**TEHNIČNI PODATKI****WSM1008**

Napetost napajanja	V~	230
Frekvenca napajanja	Hz	50
Poraba moči	W	1.600
Hitrost brez obremenitve	min <sup>-1</sup>	6.000
Širina utora	mm	8 - 30
Globina utora	mm	8 - 40
Rezalni disk		
Premer	mm	150
Kaliber	mm	22,2
Razred zaščite	IP	20
Teža	kg	6,8

**GLASNOST IN VIBRACIJA****WSM1008**

Pritisk zvoka (Lpa)	dB(A)	98,8
Akustična moč (Lwa)	dB(A)	109,8
Odstopanje (K)	dB(A)	3
Vibracija (glavni prijem)	m/s <sup>2</sup>	3,74
Vibracija (pomožni prijem)	m/s <sup>2</sup>	3,50
Odstopanje (K)	m/s <sup>2</sup>	1,5



Nosite zaščito za ušesa.

**Raven vibracij**

Raven oddajanja vibracij, navedena na zadnji strani teh navodil za uporabo je bila izmerjena v skladu s standardiziranimi testi, navedenimi v EN 60745; uporabiti jo je mogoče za primerjavo različnih orodij med seboj in za predhodno primerjavo izpostavljenosti vibracijam pri uporabi orodja za namene, ki so omenjeni

- uporaba orodja za drugačne namene ali uporaba skupaj z drugimi, slabo vzdrževanimi nastavki lahko znatno poveča raven izpostavljenosti
- čas, ko je orodje izklopljeno ali ko teče, vendar z njim ne delamo, lahko znatno zmanjša raven izpostavljenosti

Pred posledicami vibracij se zaščitite z vzdrževanjem orodja in pripadajočih nastavkov, ter tako, da so vaše roke tople, vaši delovni vzorci pa organizirani

**OPIS (SL. A)**

Vaš rezalnik zidnih utorov je namenjen rezanju utorov v zidovje. Stroj je primeren samo za upravljanje z desno roko.

1. Stikalo za vklop/izklop
2. Gumb za zaklep
3. Ročica za nastavitev globine utora
4. Merilo za nastavitev globine utora
5. Blokada globine
6. Gumb za zaklep vretena
7. Ščitnik
8. Stikalo za vklop/izklop laserja
9. Laser
10. Kazalnik preobremenitve
11. Baza
12. Kolesce (4x)
13. Povezava za odstranjevanje prahu
14. Glavni prijem
15. Pomožni prijem
16. Držalo za karbonsko ščetko

**SESTAVA**

Pred sestavljanjem vedno ugasnite stroj in izklopite napajanje iz vtičnice.

**Menjava rezalnih diskov (sl. B)**

Obrabljene ali poškodovane rezalne diske je potrebno takoj zamenjati.



- Uporabljajte samo ostre in nepoškodovane rezalne diske.
- Vedno zamenjajte oba rezalna diska hkrati.
- Nikoli ne skušajte odstraniti ščitnika
- Držite gumb za zaklep vretena (6), da zaklenete vreteno (17).
- Razrahljajte zunanjo prirobnico (18) z orodjem za prirobnice (19).
- Odstranite stari rezalni disk (20), distančnike (21), stari rezalni disk (22) in notranjo prirobnico (23). Če je potrebno, uporabite klin (24) za odstranitev distančnikov (21).
- Če je potrebno, očistite prirobnici (18 & 23).
- Namestite notranjo prirobnico (23), novi rezalni disk (22), distančnike (21) in novi rezalni disk (20).
- Dobro privijte zunanjo prirobnico (18) z orodjem za prirobnice (19).
- Sprostite gumb za zaklep vretena (6).



## UPORABA

### Nastavljanje širine utora (sl. C)

Širino utora lahko nastavite z distančniki med rezalnima diskoma. Števila distančnikov med rezalnima diskoma določa širino utora.



- Ne nastavlajte širine utora med delom.
- Med rezalnima diskoma naj bo vedno vsaj en distančnik.
- Ugotovite širino utora.
- Namestite potrebno število distančnikov (21) med rezalnima diskoma (20 & 22). Preberite si poglavje "Menjava rezalnih diskov".

### Nastavljanje blokade globine

#### (sl. A & D)

Blokada globine omeji največjo globino utora med delom, kar prepreči, da bi stroj zarezal pregloboko v steno. Globino utora lahko preberete z merila (4).



*Ne nastavlajte blokade globine med delom.*

- Rahlo dvignite blokado globine (5) od ščitnika (7).
- Nastavite blokado globine (5) na zeleni položaj.
- Spustite blokado globine (5), da se namesti na zeleni položaj.

### Nastavljanje globine utora

#### (sl. A & E)

Globino utora lahko nastavite med 0 in 40 mm. Globino utora lahko preberete z merila (4).



*Ne nastavlajte globine utora med delom.*

- Razrahljajte ročico za nastavev globine utora (3).
- Nagnite bazo (11) na zeleni položaj.
- Pričvrstite ročico za nastavev globine utora (3).

### Vklapljanje in izklapljanje (sl. A)

- Za vklop stroja držite gumb za zaklep (2) in hkrati pritisnite stikalo za vklop/izklop (1).
- Za izklop stroja, spustite stikalo za vklop/izklop (1).

### Uporaba laserja (sl. A)

Laser se uporablja za projekcijo reza na steno.

- Za vklop laserja (9) pritisnite stikalo za vklop/izklop (8).
- Za izklop laserja (9) pritisnite stikalo za vklop/izklop (8).

### Kazalnik preobremenitve (sl. A)

Kazalnik preobremenitve (10) pokaže, če je stroj preobremenjen.

- Če stroj vklopite, kazalnik preobremenitve (10) trikrat zeleno utripne.
- Kazalnik preobremenitve (10) sveti zeleno, če stroj ni preobremenjen. Stroj lahko uporabljate normalno.
- Če kazalnik preobremenitve (10) utripa rdeče, je stroj preobremenjen. Zmanjšajte pritisk na stroj.
- Če kazalnik preobremenitve (10) gori rdeče, je stroj čisto preobremenjen. Stroj se bo izključil.

### Odstranjevanje prahu (sl. F)

Stroj uporabite samo, ko je povezan na sesalno napravo, ki je primerna za kamnit prah. Sesalna naprava mora biti primerna za material, na katerem boste delali. Uporabite posebno sesalno napravo, ko delate s strupenimi materiali, ali ko nastaja strupen prah.



- Nikoli ne uporabite navadnega domačega sesalca. Uporaba navadnega sesalca lahko poškoduje tako vaše zdravje kot sesalec.
- Vedno uporabite adapter za odstranjevanje prahu.
- Zagotovite naj bo cev sesalne naprave dobro povezana z adapterjem za odstranjevanje prahu.
- Če se sesalna naprava pokvari, takoj prenehajte z delom, izklopite stroj, odstranite napajanje iz vtičnice in poskusite odpraviti problem.
- Vstavite adapter za odstranjevanje prahu (25) v povezavo za odstranjevanje prahu (13).
- Pričvrstite adapter za odstranjevanje prahu (25) tako, da ga vrtite v smeri urinega kazalca, dokler se ne pričvrsti na mesto.
- Povežite cev sesalne naprave z adapterjem za odstranjevanje prahu (25).

### Namigi za najboljše delo

- Narišite črte za označitev smeri, v katero je potrebno voditi rezalna diska.
- Držite stroj z obema rokama.

- Nastavite širino utora.
- Nastavite blokado globine.
- Izvedite enega od sledečih postopkov:
  - Nastavite stroj na steno in nastavite globino utora (priporočeno). Stroj postavite ob steno in rezalna diska spustite na steno zato, da lahko bolj natančno nastavite globino utora.
  - Nastavite globino utora in nastavite stroj na steno.
- Nastavite stroj s kolesci na steno. Prepričajte se, da se rezalna diska uravnata z narisanimi črtami na steni.
- Nastavite globino utora.
- Vklopite stroj.
- Počakajte, da stroj doseže polno hitrost.
- Počasi premikajte stroj po vnaprej narisanih črtah in dobro pritiskajte kolesca na steno.
- Ne pritiskajte preveč na stroj. Naj stroj opravlja delo.
- Izklopite stroj in počakajte, da se čisto ustavi, preden ga položite na tla.

## ČIŠČENJE IN VZDRŽEVANJE



*Pred čiščenjem in vzdrževanjem vedno ugasnite stroj in izklopite napajanje iz vtičnice.*

- Redno čistite ohišje z mehko krpo.
- Iz rež za zračenje čistite prah in nesnago. Po potrebi odstranjujte prah in nesnago iz rež za zračenje z mehko, vlažno krpo.
- Redno čistite rezalne diske, da ne pride do netočnosti med uporabo.

### Preverjanje in menjava karbonskih ščetk (sl. A)

Karbonski ščetki morate redno pregledovati. Če sta karbonski ščetki obrabljeni, bo stroj začel delati neenakomerno.



*Uporabite samo pravilne karbonske ščetke.*

- Odstranite držala karbonskih ščetk (16) z izvijačem.
- Očistite karbonski ščetki.
- Če sta obrabljeni, zamenjajte obe karbonski ščetki hkrati.
- Namestite držala karbonskih ščetk (16) z izvijačem.
- Po namestitvi novih karbonskih ščetk naj stroj 15 minut teče brez obremenitve.

## GARANCIJA

Posvetujte se s priloženimi pogoji garancije.

## OKOLJE

### Odstranjevanje



Izdelke, dodatke in embalažo razvrstite za okolju prijazno recikliranje.

### Samo za države ES

Električnih orodij ne vrzite stran v domače za smeti. Po Evropski smernici 2002/96/ES za WEEE (Odpadna električna in elektronska oprema) in njeno širitev v narodno pravo, je potrebno električna orodja, ki niso več uporabna, zbrati posebej in se jih znebiti na okolju prijazen način.

Ta izdelek in ta navodila se lahko spremenijo. Specifikacije se lahko spremenijo brez opozorila.

## BRUZDOWNICA WSM1008

Dziękujemy za zakup urządzenia firmy Ferm. W ten sposób nabyli Państwo znakomity produkt, opracowany przez jednego z czołowych dostawców w Europie.

Wszystkie produkty sprzedawane przez firmę Ferm są produkowane zgodnie z najwyższymi standardami wydajności i bezpieczeństwa. W ramach naszej filozofii oferujemy również znakomity serwis klienta, oparty na wszechstronnej gwarancji. Mamy nadzieję, że urządzenie będzie Państwu doskonale służyć przez wiele lat.



*Uwaga: Promień lasera! Nie patrzeć bezpośrednio na promień lasera. Nie kierować promienia lasera w stronę ludzi i zwierząt.*



*Ryzyko odprysków. Nie dopuszczać innych osób do stanowiska pracy.*



*Podwójna izolacja.*



*Nie wyrzucać urządzenia do nieodpowiednich pojemników.*



*Urządzenie jest zgodne z odpowiednimi normami bezpieczeństwa zawartymi w dyrektywach europejskich.*

## OSTRZEŻENIA DOTYCZĄCE BEZPIECZEŃSTWA



### OSTRZEŻENIE

*Należy zapoznać się z ostrzeżeniami dotyczącymi bezpieczeństwa, dodatkowymi ostrzeżeniami i instrukcjami.*

*Niestosowanie się do ostrzeżeń dotyczących bezpieczeństwa może zakończyć się porażeniem przez prąd, pożarem i/lub poważnymi obrażeniami ciała.*

*Ostrzeżenia dotyczące bezpieczeństwa oraz instrukcję należy przechowywać w dostępnym miejscu.*

W podręczniku użytkownika urządzenia lub na urządzeniu umieszczono następujące symbole:



*Przeczytać podręcznik użytkownika.*



*Ryzyko obrażeń ciała.*



*Ryzyko porażenia prądem.*



*Należy natychmiast odłączyć wtyczkę od zasilania, jeśli przewód zasilający zostanie uszkodzony oraz podczas czyszczenia i konserwacji.*



*Używać gogli ochronnych. Stosować osłonę dla uszu.*



*Nosić maskę przeciwpyłową.*

## DODATKOWE OSTRZEŻENIA DOTYCZĄCE BEZPIECZEŃSTWA DLA BRUZDOWNIC

- Nie wolno pracować na materiałach zawierających azbest. Azbest jest produktem rakotwórczym.
- Zakładać gogle ochronne, ochronę uszu, a w razie konieczności inne środki ochronne, takie jak rękawice, buty, itd.
- Przed użyciem usunąć ze ściany wszystkie gwoździe i inne materiały.
- Przed przystąpieniem do wycinania bruzd należy pamiętać o rurach i przewodach elektrycznych w ścianie.
- Zawsze trzymać urządzenie oburącz.
- Nie używać urządzenia bez osłony.
- Przed każdym użyciem skontrolować tarcze tnące. Nie używać tarcz tnących, które są wygięte, złamane lub w inny sposób uszkodzone.
- Upewnić się, że tarcze tnące są prawidłowo zamontowane.
- Upewnić się, że tarcze tnące obracają się w właściwym kierunku.
- Nie używać urządzenia z tarczami tnącymi skierowanym w górę lub na bok.
- Używać tylko tarcz tnących, które są przystosowane do pracy z urządzeniem.
- Używać tylko tarcz tnących o odpowiednich wymiarach.
- Nie używać innych akcesoriów, niż tarcz tnących.
- Nie używać urządzenia, kiedy wymagana głębokość bruzdy przekracza maksymalną głębokość możliwą do uzyskania przy użyciu tarcz tnących.
- Upewnić się, że ręce nie dotykają części obrotowych.

- Zawsze przesuwając urządzenie w odpowiednim kierunku (patrz wskazanie na podstawie).
- Po zamontowaniu tarcz tnących pozwolić urządzeniu popracować bez obciążenia w bezpiecznym obszarze. Jeśli urządzenie silnie wibruje, natychmiast je wyłączyć, odłączyć od zasilania i spróbować rozwiązać problem.
- Należy pamiętać, że tarcze tnące obracają się przez pewien czas po wyłączeniu urządzenia. Nie próbować samodzielnie zatrzymywać obracających się tarcz tnących.
- Nigdy nie kłaść urządzenia na stole czy pulpicie przed jego wyłączeniem.

### Odrzut

Odrzut do ruch tarcz tnących w górę i do tyłu, kiedy niespodziewanie natrafiają na jakiś obiekt. Podczas używania mocno trzymać urządzenie oburącz. Podczas używania urządzenia należy skupić się na pracy.

Odrzut jest zwykle powodowany przez:

- przypadkowe dotknięcie twardych obiektów lub materiałów obracającymi się tarczami tnącymi;
- tępe tarcze tnące;
- nieprawidłowo zamontowane tarcze tnące;
- cięcie w miejscu poprzedniego cięcia;
- brak uwagi podczas pracy;
- niestabilna postawa.

### DODATKOWE OSTRZEŻENIA DOTYCZĄCE BEZPIECZEŃSTWA DLA LASERÓW

- Nie patrzeć bezpośrednio na promień lasera.
- Nie kierować promienia lasera w stronę ludzi i zwierząt.
- Nie kierować promienia lasera na silnie odbłaskowe materiały.
- Nie wkładać twardych przedmiotów w optykę lasera.
- Czyścić optykę lasera za pomocą miękkiej, suchej szmatki.
- Laser może naprawiać wyłącznie wykwalifikowany technik.

### BEZPIECZEŃSTWO ELEKTRYCZNE



Zawsze sprawdzać, czy napięcie w sieci odpowiada napięciu na tabliczce znamionowej urządzenia.

- Nie używać urządzenia, jeśli przewód zasilający lub wtyczka jest uszkodzona.

- Używać wyłącznie takich przedłużaczy, które są odpowiednie dla mocy znamionowej urządzenia, o średnicy minimum 1,5 mm<sup>2</sup>. W przypadku używania przedłużacza na szpuli, całkowicie rozwinąć przewód.

### DANE TECHNICZNE

WSM1008	
Napięcie w sieci	V~ 230
Częstotliwość w sieci	Hz 50
Moc wejściowa	W 1.600
Prędkość bez obciążenia	min <sup>-1</sup> 6.000
Szerokość bruzdy	mm 8 - 30
Głębokość bruzdy	mm 8 - 40
Tarcza tnąca	
Średnica	mm 150
Otwórm	22,2
Klasa ochronna	IP 20
Ciężar	kg 6,8

### HAŁAS I WIBRACJE

WSM1008	
Cisnienie dźwięku (L <sub>pa</sub> )	dB(A) 98,8
Moc akustyczna (L <sub>wa</sub> )	dB(A) 109,8
Niepewność (K)	dB(A) 3
Wibracje (główny uchwyt)	m/s <sup>2</sup> 3,74
Wibracje (uchwyt dodatkowy)	m/s <sup>2</sup> 3,50
Niepewność (K)	m/s <sup>2</sup> 1,5



Stosować osłonę dla uszu.

### Poziom wibracji

Poziom emisji wibracji podany na końcu tej instrukcji został zmierzony zgodnie z testem standaryzowanym podanym w EN 60745; może służyć do porównania jednego narzędzia z innym i jako ocena wstępna narażenia na wibracje w trakcie używania narzędzia do wymienionych zadań

- używanie narzędzia do innych zadań, lub z innymi albo źle utrzymanymi akcesoriami, może znacząco zwiększyć poziom narażenia
- przypadki, kiedy narzędzie jest wyłączone lub jest czynne, ale aktualnie nie wykonuje zadania, mogą znacząco zmniejszyć poziom narażenia

Należy chronić się przed skutkami wibracji przez konserwację narzędzia i jego akcesoriów, zakładanie rękawic i właściwą organizację pracy

## OPIS (RYS. A)

Bruzdownica została zaprojektowana do wycinania bruzd w murze. Urządzenie przeznaczone jest tylko dla osób praworęcznych.

1. Przełącznik wł./wył.
2. Przycisk blokady
3. Dźwignia blokująca dla głębokości bruzdy
4. Skala głębokości bruzdy
5. Ogranicznik głębokości
6. Przycisk blokady wału
7. Osłona
8. Przycisk wł./wył. lasera
9. Laser
10. Wskaźnik przeciążenia
11. Podstawa
12. Kółko (4x)
13. Podłączenie odbiornika pyłu
14. Główny uchwyt
15. Uchwyt dodatkowy
16. Pojemnik na szczotkę węglową

## MONTAŻ



*Przed montażem należy zawsze wyłączyć urządzenie i odłączyć od sieci zasilającej.*

### Wymiana tarcz tnących (rys. B)

Zużyte lub uszkodzone tarcze tnące należy wymieniać bezzwłocznie.



- Należy używać wyłącznie ostrych i nie uszkodzonych tarcz tnących.
- Zawsze należy wymieniać jednocześnie obie tarcze tnące.
- Nie należy podejmować próby zdejmowania osłony.
- Przycisnąć przycisk blokady wału (6), aby zablokować wał (17).
- Poluzować zewnętrzny kołnierz (18) za pomocą klucza (19).
- Zdjąć stare tarcze tnące (20), separatory (21), starą tarczę tnącą (22) i kołnierz wewnętrzny (23). W razie konieczności użyć klina rozdzielającego (24) w celu usunięcia separatorów (21).
- Jeśli to konieczne, wyczyścić kołnierze (18 & 23).

- Zamontować wewnętrzny kołnierz (23), nową tarczę tnącą (22), separatory (21) oraz nową tarczę tnącą (20).
- Mocno dokręcić zewnętrzny kołnierz (18) za pomocą klucza (19).
- Zwolnić przycisk blokady wału (6).

## UŻYWANIE URZĄDZENIA

### Regulacja szerokości bruzdy (rys. C)

Szerokość bruzdy można ustawić za pomocą separatorów między tarczami tnącymi. Liczba separatorów między tarczami tnącymi określa szerokość bruzdy.



- Nie należy ustawiać szerokości bruzdy podczas używania urządzenia.
- Między tarczami tnącymi musi znajdować się przynajmniej jeden separator.
- Określanie szerokości bruzdy.
- Zamontować wymaganą liczbę separatorów (21) między tarczami tnącymi (20 & 22). Patrz punkt „Wymiana tarcz tnących”.

### Ustawianie ogranicznika głębokości (rys. A & D)

Ogranicznik głębokości reguluje maksymalną głębokość bruzdy podczas cięcia, dzięki czemu urządzenie nie zagłębia się zbyt mocno w murze. Głębokość bruzdy można odczytać ze skali (4).



*Nie należy ustawiać głębokości bruzdy podczas używania urządzenia.*

- Odsunąć lekko ogranicznik głębokości (5) od osłony (7).
- Ustawić ogranicznik (5) w pożądanym położeniu.
- Zwolnić ogranicznik (5) i zablokować w odpowiednim położeniu.

### Ustawianie głębokości bruzdy (rys. A & E)

Głębokość bruzdy wynosi od 0 do 40 mm. Można ją odczytać ze skali (4).



*Nie należy ustawiać głębokości bruzdy podczas używania urządzenia.*

- Poluzować dźwignię blokady (3).
- Przetawić podstawę (11) na wymaganą pozycję.
- Docisnąć dźwignię blokady (3).

### Włączanie i wyłączenie (rys. A)

- Aby włączyć urządzenie, należy wcisnąć przycisk blokady (2) i jednocześnie nacisnąć przełącznik wł./wył. (1).
- Aby wyłączyć urządzenie, zwolnić przełącznik wł./wył. (1).

### Korzystanie z lasera (rys. A)

Laser służy do określania ścieżki nacięcia w murze.

- Aby włączyć laser (9), należy nacisnąć przełącznik wł./wył. (8).
- Aby wyłączyć laser (9), należy zwolnić przełącznik wł./wył. (8).

### Wskaźnik przeciążenia (rys. A)

Wskaźnik przeciążenia (10) informuje, czy urządzenie jest przeciążone.

- Jeśli urządzenie jest włączone, wskaźnik przeciążenia (10) błysnie 3-krotnie na zielono.
- Jeśli wskaźnik (10) świeci się na zielono, urządzenie nie jest przeciążone. Z urządzenia można korzystać normalnie.
- Jeśli wskaźnik (10) błyska na czerwono, urządzenie jest przeciążone. Należy zastosować mniejszy nacisk.
- Jeśli wskaźnik (10) świeci się na czerwono, urządzenie jest całkowicie przeciążone. Urządzenie zostanie wyłączone.

### Usuwanie pyłu (rys. F)

Urządzenia należy używać tylko po podłączeniu do urządzenia próżniowego przystosowanego do odbierania pyłu. Urządzenie próżniowe musi pasować do materiału, który będzie cięty. W przypadku pracy z materiałami toksycznymi lub kiedy powstaje toksyczny pył, należy użyć specjalnego urządzenia próżniowego.



- Nigdy nie należy używać do tego celu domowego odkurzacza. Użycie odkurzacza może doprowadzić do utraty zdrowia operatora oraz uszkodzenia odkurzacza.
- Zawsze należy korzystać z adaptera do usuwania pyłu.
- Należy się upewnić, że wąż urządzenia próżniowego jest dobrze przymocowany do adaptera usuwania pyłu.
- Jeśli urządzenie próżniowe przestanie działać, należy natychmiast przerwać pracę, wyłączyć bruzdownicę, odłączyć zasilanie od sieci i spróbować rozwiązać problem.
- Wsunąć adapter usuwania pyłu (25) do złącza usuwania pyłu (13).

- Zamocować adapter (25), przekręcając go w prawo, aż zaskoczy na miejsce.
- Podłączyć wąż urządzenia próżniowego do adaptera (25).

### Wskazówki dla optymalnej pracy

- Rysować linie określające kierunek ruchu tarcz tnących.
- Trzymać urządzenie oburącz.
- Określić szerokość bruzdy.
- Ustawić ogranicznik głębokości.
- Wykonać jeden z poniższych kroków:
  - Opuścić urządzenie na mur i ustawić głębokość bruzdy (zalecane). Urządzenie jest oparte o mur i tarcze tnące opuszczają się w celu dokładniejszego ustawienia głębokości bruzdy.
  - Ustawić głębokość bruzdy i opuścić urządzenie na ścianę.
- Umieścić urządzenie kółkami na ścianie. Upewnić się, że tarcze tnące znajdują się na liniach wykreślonych na murze.
- Określenie głębokości bruzdy.
- Włączyć urządzenie.
- Odczekać, aż nabierze ono pełnej prędkości.
- Powoli przesunąć urządzenie wzdłuż narysowanych linii, mocno dociskając kółka do muru.
- Nie stosować nadmiernej siły na urządzenie. Wykonać nacięcie.
- Wyłączyć urządzenie i zaczekać do jego pełnego zatrzymania przed odłożeniem na bok.

## CZYSZCZENIE I KONSERWACJA



*Przed czyszczeniem i konserwacją należy zawsze wyłączyć urządzenie i odłączyć od sieci zasilającej.*

- Regularnie czyścić obudowę miękką szmatką.
- Usuwać pył i zanieczyszczenia z otworów wentylacyjnych. W razie konieczności użyć miękkiej, wilgotnej szmatki do usunięcia pyłu i zanieczyszczeń z otworów wentylacyjnych.
- Regularnie czyścić tarcze tnące, aby unikać niedokładności podczas pracy.

### Sprawdzanie i wymiana szczotek węglowych (rys. A)

Szczotki węglowe muszą być regularnie sprawdzane. Jeśli dojdzie do ich zużycia, urządzenie będzie pracować nierównomiernie.



Należy używać wyłącznie odpowiedniego typu szczotek węglowych.

- Usunąć uchwyty szczotek węglowych (16) za pomocą śrubokręta.
- Wyczyścić szczotki węglowe.
- W razie zużycia, wymienić obie szczotki równocześnie.
- Zamontować uchwyty szczotek węglowych (16) za pomocą śrubokręta.
- Po zamontowaniu nowych szczotek pozostawić włączone urządzenie bez obciążenia na 15 minut.

## SIENINIS ANGŲ PJOVIMO ĮRENGINYS WSM1008

Dėkojame, kad įsigijote šį „Ferm“ produktą. Tai yra puikus produktas, kurį teikia Europoje pirmaujantys tiekėjai. Visi pristatomi „Ferm“ produktai gaminami pagal aukščiausius našumo ir saugumo standartus. Laikydami savo principų, taip pat klientams teikiame puikias paslaugas, kurioms suteikiame visišką garantiją. Tikimės, kad mėgausitės naudodami šį produktą daugelį metų.

## GWARANCJA

Należy zapoznać się z dołączonymi warunkami gwarancji.

## ŚRODOWISKO

### Utylizacja



Produkt, akcesoria i opakowanie należy przekazać do przyjaznego środowisku recyklingu.

### Tylko dla krajów Komisji Europejskiej

Nie wolno wyrzucać elektronarzędzi do domowych śmietników. Zgodnie z Dyrektywą Europejską nr 2002/96/WE dotyczącą Utylizacji Wyposażenia Elektrycznego i Elektronicznego i jej wdrożeniem w krajowe prawo, nieużywane elektronarzędzia należy gromadzić oddzielnie i utylizować w sposób przyjazny dla środowiska.

Produkt i podręcznik użytkownika może ulec zmianom. Dane techniczne mogą ulec zmianie bez obowiązku powiadamiania użytkownika.

## SAUGOS ĮSPĖJIMAI



### ĮSPĖJIMAS

Perskaitykite pridėtus saugos įspėjimus, papildomus įspėjimus ir instrukcijas. Nesilaikant saugos įspėjimų ir instrukcijų gali kilti elektros smūgis, gaisras ir / arba galima rimtai susižeisti. Išsaugokite šiuos saugos įspėjimus ir instrukcijas ateičiai.

Toliau pateikiami simboliai naudojami naudotojo vadove arba ant produkto:



Perskaitykite naudotojo vadovą.



Galima susižeisti.



Gali kilti elektros smūgis.



Jei valymo ir priežiūros metu pažeidžiamas maitinimo kabelis, nedelsdami ištraukite kištuką iš maitinimo lizdo.



Dėvėkite apsauginius akinius. Dėvėkite klausos apsaugas.



Dėvėkite nuo dulkių apsaugančią kaukę.



Perspėjimas: Lazerio spindulys! Nežiūrėkite tiesiai į lazerio spindulį. Nenukreipkite lazerio spindulio į žmones ar gyvūnus.



Gali kilti pavojus dėl atšokusių dalelių. Stebėtojai turi būti atokiau nuo darbo zonos.



*Dvigubai izoliuotas.*



*Neišmeskite produkto į netinkamą konteinerį.*



*Produktas atitinka Europos direktyvų taikomus saugos standartus.*

**PAPILDOMI SAUGOS ĮSPĖJIMAI DĖL SIENINIO ANGŲ PJOVIMO ĮRENGINIO**

- Nenaudokite asbesto turinčių medžiagų. Asbestas yra kancerogeninė medžiaga.
- Dėvėkite apsauginius akinius, klausos apsaugas ir, jei reikia, kitas saugos priemones, pvz., saugos pirštines, batus ir t. t.
- Prieš naudodami, pašalinkite nuo sienos visus vinis ir kitus metalinius elementus.
- Pjaudami sienoje angas, saugokitės paslėptų vamzdžių ir elektros laidų.
- Visada laikykite įrenginį dviem rankom.
- Nenaudokite įrenginio be apsaugų.
- Prieš kiekvieną naudojimą, visada patikrinkite pjovimo diskus. Nenaudokite sulenktų, įlūžusių ar kitaip sugadintų pjovimo diskų.
- Įsitinkinkite, kad pjovimo diskai tinkamai pritvirtinti.
- Įsitinkinkite, kad pjovimo diskai sukasi tinkama kryptimi.
- Nenaudokite įrenginio, jei pjovimo diskai nukreipti į viršų arba į šoną.
- Naudokite tik šiam įrenginiui tinkamus pjovimo diskus.
- Naudokite tik tinkamų matmenų pjovimo diskus.
- Vietoje pjovimo diskų nenaudokite kitų priedų.
- Nenaudokite įrenginio, jei reikalingas maksimalus angos pjovimo gylis yra didesnis, nei maksimalus pjovimo disko gylis.
- Įsitinkinkite, kad neliečiate rankomis sukamųjų dalių.
- Visada dirbkite tinkama kryptimi (žr. žymę ant pagrindo).
- Pritvirtinę pjovimo diskus, išbandykite įrenginį erdvioje bei saugioje vietoje. Jei įrenginys stipriai vibruos, nedelsdami išjunkite jį, ištraukite kištuką iš maitinimo lizdo ir pabandykite išspręsti problemą.
- Būkite atsargūs, nes išjungus įrenginį, pjovimo diskai trumpai suksis toliau. Nebandykite sustabdyti pjovimo diskų rankomis.
- Nedėkite įrenginio ant stalo ar darbaltalio, prieš tai jo neišjungę.

**Apsauga nuo atatrancos**

Apsauga nuo atatrancos yra pjovimo diskų judėjimas į viršų ir atgal, kai jie netikėtai paliečia objektą. Naudodami, laikykite įrenginį abiem rankom. Naudodami įrenginį nebūkite išsiblaškęs.

Apsauga nuo atatrancos dažniausiai naudojama:

- jei sukamais pjovimo diskais netyčia priliesite kietus objektus arba medžiagas;
- jei pjovimo diskai atšipę;
- jei pjovimo diskai netinkamai įmontuoti;
- jei pjaunama toje pačioje vietoje;
- jei naudojama išsiblaškęs;
- jei padėtis nestabili.

**PAPILDOMI LAZERIŲ SAUGOS ĮSPĖJIMAI**

- Nežiūrėkite tiesiai į lazerio spindulį.
- Nenukreipkite lazerio spindulio į žmones ar gyvūnus.
- Nenukreipkite lazerio spindulio į stipriai atspindinčią medžiagą.
- Nekiškite į lazerio optiką pašalinių daiktų.
- Valykite lazerio optiką minkšta ir sausa šluoste.
- Lazerį gali taisyti tik kvalifikuotas specialistas.

**APSAUGA NUO ELEKTROS**



*Visada patikrinkite, ar elektros įtampa atitinka duomenų lentelėje pateiktus įtampas duomenis.*

- Nenaudokite įrenginio, jei maitinimo kabelis arba kištukas yra sugadintas.
- Naudokite tik tuos ilgintuvus, kurie atitinka įrenginio elektros galią su minimaliu 1,5 mm<sup>2</sup> storium. Jei naudosite ilgintuvo ritę, visada visiškai išvyniokite kabelį.

**TECHNINIAI DUOMENYS**

<b>WSM1008</b>	
Elektros įtampa	V~ 230
Elektros dažnis	Hz 50
Įėjimo dalia	W 1.600
Greitis be apkrovos	min <sup>-1</sup> 6.000
Angos plotis	mm 8 - 30
Angos gylis	mm 8 - 40
Pjovimo diskas	
Skersmuo	mm 150
Kalibras	mm 22,2
Apsaugos klasė	IP 20
Svoris	kg 6,8



**WSM1008**

Garso slėgis (Lpa)	dB(A)	98,8
Akustikos galia (Lwa)	dB(A)	109,8
Netikslumas (K)	dB(A)	3
Vibracija (pagrindinė rankena)	m/s <sup>2</sup>	3,74
Vibracija (papildoma rankena)	m/s <sup>2</sup>	3,50
Netikslumas (K)	m/s <sup>2</sup>	1,5



*Dėvėkite klausos apsaugas.*

**Vibracijos lygis**

Vibracijos sklaidos lygis, nurodytas ant šio instrukcijų vadovo užpakalinio viršelio, išmatuotas pagal standarte EN 60745 išdėstytus standartizuoto bandymo reikalavimus; ši vertė gali būti naudojama vienam įrankiui palyginti su kitu bei išankstiniams vibracijos poveikiui įvertinti, kai įrankis naudojamas paminėtais būdais

- naudojant įrankį kitokiais būdais arba su kitokiais bei netinkamai prižiūrimais priedais, gali žymiai padidėti poveikio lygis
- aiktarpiais, kai įrankis išjungtas arba yra jungtas, tačiau juo nedirbama, gali žymiai sumažėti poveikio lygis

Apsisaugokite nuo vibracijos poveikio prižiūradami įrankį ir jo priedus, laikydami rankas šiltai ir derindami darbo ciklus su pertraukėlėmis

**APRAŠYMAS (A PAV.)**

Sieninis angų pjovimo įrenginys skirtas angoms pjauti mūrinėse sienose. Įrenginys skirtas dešiniarankiams naudoti.

1. Įjungimo/išjungimo jungiklis
2. Fiksavimo mygtukas
3. Angos gylio fiksavimo svirtis
4. Angos gylio skalė
5. Gylio ribotuvas
6. Veleno fiksatoriaus mygtukas
7. Apsauga
8. Lazerio įjungimo/išjungimo jungiklis
9. Lazeris
10. Perkrovos indikatorius
11. Pagrindas
12. Ratas (4x)
13. Dulkių ištraukimo jungtis
14. Pagrindinė rankena
15. Papildoma rankena
16. Anglinių šepečių laikiklis



*Prieš surinkdami, visada išjunkite įrenginį ir ištraukite kištuką iš maitinimo lizdo.*

**Pjovimo diskų keitimas (B pav.)**

Panaudoti arba sugadinti pjovimo diskai turi būti nedelsiant pakeisti.



- Naudokite tik aštirus ir nesugadintus pjovimo diskus.
- Visada keiskite abu pjovimo diskus vienu metu.
- Nebandykite išimti apsaugų.
- Jei norite užfiksuoti veleną (17), paspauskite ir palaikykite nuspaustą veleno fiksatoriaus mygtuką.
- Atlaisvinkite išorinę jungę (18) naudodami jungės raktą (19).
- Išimkite seną pjovimo diską (20), skyriklius (21), seną pjovimo diską (22) ir vidinę jungę (23). Jei reikia, naudokite skaldymo pleišta (24), kad išimtumėte skyriklius (21).
- Jei reikia, išvalykite junges (18 & 23).
- Įmontuokite vidinę jungę (23), naują pjovimo diską (22), skyriklius (21) ir naują pjovimo diską (20).
- Stipriai pritvirtinkite išorinę jungę (18) naudodami jungės raktą (19).
- Atleiskite veleno fiksatoriaus mygtuką (6).

**NAUDOJIMAS**

**Angos pločio nustatymas (C pav.)**

Angos plotis gali būti nustatomas, naudojant skyriklius tarp pjovimo diskų. Skyriklių skaičius tarp pjovimo diskų nurodo angos plotį.



- Nenustatykite angos pločio naudojimo metu.
- Visada įmontuokite mažiausiai vieną skyriklių tarp pjovimo diskų.
- Nurodykite angos plotį.
- Įmontuokite reikalingą skyriklių (21) kiekį tarp pjovimo diskų (20 & 22). Vadovaukitės skyriumi „Pjovimo diskų keitimas“.

## Gylio ribotuvo nustatymas

### (A & D pav.)

Naudojimo metu gylio ribotuvą apriboja maksimalų angos gylį, kad įrenginys būtų apsaugotas nuo per gilaus pjovimo sienoje. Angos gylį galima nustatyti pagal skalę (4).



*Nenustatykite gylio ribotuvo naudojimo metu.*

- Šiek tiek pakelkite gylio ribotuvą (5) nuo apsaugų (7).
- Nustatykite gylio ribotuvą (5) į pageidaujamą padėtį.
- Atleiskite gylio ribotuvą (5), kad užfiksuotumėte jį tinkamoje padėtyje.

## Angos gylio nustatymas

### (A & E pav.)

Angos gylis gali siekti tarp 0 ir 40 mm. Angos gylį galima nustatyti pagal skalę (4).



*Nenustatykite angos gylio naudojimo metu.*

- Atleiskite fiksavimo svirtį (3).
- Palenkite pagrindą (11) į pageidaujamą padėtį.
- Pritvirtinkite fiksavimo svirtį (3).

## Jungimas ir išjungimas (A pav.)

- Jei norite įjungti įrenginį, paspauskite ir palaikykite nuspaustą fiksavimo mygtuką (2) ir tuo pačiu metu paspauskite įjungimo/išjungimo jungiklį (1).
- Jei norite išjungti įrenginį, atleiskite įjungimo/išjungimo jungiklį (1).

## Lazerio naudojimas (A pav.)

Lazeris naudojamas angos pjovimo sienoje projekcijai nustatyti.

- Jei norite įjungti lazerį (9), paspauskite įjungimo/išjungimo jungiklį (8).
- Jei norite išjungti lazerį (9), atleiskite įjungimo/išjungimo jungiklį (8).

## Perkrovos indikatorius (A pav.)

Perkrovos indikatorius (10) nurodo, ar įrenginys yra perkrautas.

- Jei įrenginys yra įjungtas, žalias perkrovos indikatorius (10) mirksi 3 kartus.
- Jei šviečia žalias perkrovos indikatorius (10) – įrenginys nėra perkrautas. Įrenginys gali būti naudojamas įprastu būdu.
- Jei mirksi raudonas perkrovos indikatorius (10) – įrenginys yra perkrautas. Naudokite mažiau įrenginio slėgio.

- Jei šviečia raudonas perkrovos indikatorius (10) – įrenginys yra visiškai perkrautas. Įrenginys bus išjungtas.

## Dulkių ištraukimas (F pav.)

Naudokite įrenginį tik tada, kai jis prijungtas prie vakuuminio prietaiso, kuris taikomas akmens dulkiams ištraukti. Vakuuminis prietaisas turi būti tinkamas naudoti su atitinkamomis medžiagomis. Naudokite specialų vakuuminį prietaisą, kai dirbate su nuodingomis medžiagomis arba tose vietose, kur kyla nuodingos dulės.



- Niekada nenaudokite buitinio dulkių siurblio. Jei naudosite buitinį dulkių siurbli, taip galėsite pakenkti savo sveikatai ir dulkių siurbliui.
- Visada naudokite dulkių ištraukimo adapterį.
- Įsitikinkite, kad vakuuminio prietaiso žarna yra tinkamai pritvirtinta prie dulkių ištraukimo adapterio.
- Jei vakuuminis prietaisas suges, nedelsdami jį išjunkite; išjunkite įrenginį, ištraukite kištuką iš maitinimo lizdo ir pabandykite išspręsti problemą.
- Įkiškite dulkių išleidimo adapterį (25) į dulkių išleidimo jungtį (13).
- Pritvirtinkite dulkių ištraukimo adapterį (25) pasukdami jį prieš laikrodžio rodyklę, kol užsifiksuos.
- Prijunkite vakuuminio prietaiso žarną prie dulkių ištraukimo adapterio (25).

## Optimalios eksploatacijos patarimai

- Nubrėžkite linijas, kad nurodytumėte kryptį, kuria nukreipiami pjovimo diskai.
- Laikykite įrenginį abiem rankom.
- Nustatykite angos plotį.
- Nustatykite gylio ribotuvą.
- Atlikite vieną iš šių veiksmų:
  - Atremkite įrenginį į sieną ir nustatykite angos plotį (rekomenduojama). Įrenginys laikomas prieš sieną, o pjovimo diskai įremti į sieną, kad galima būtų tiksliau nustatyti angos gylį.
  - Nustatykite angos gylį ir atremkite įrenginį į sieną.
- Atremkite įrenginį su ratais į sieną. Įsitikinkite, kad pjovimo diskai atitinka ant sienos nubrėžtas linijas.
- Nustatykite angos gylį.
- Įjunkite įrenginį.
- Palaukite kol įrenginys pasieks didžiausią greitį.

- Lėtai stumkite įrenginį palei iš anksto nubrėžtas linijas, tvirtai prispausdami ratus prie sienos.
- Nespauskite įrenginio per stipriai. Leiskite įrenginiui atlikti savo darbą.
- Išjunkite įrenginį ir prieš padėdami, palaukite, kol įrenginys visiškai sustos.

### Skirta tik EB šalims

Neišmeskite elektros įrankių į buitinių atliekų kontenerius. Remiantis Europos elektros ir elektroninės įrangos atliekų gairių direktyva 2002/96/EB ir jos realizavimu tarptautinėje teisėje, ilgiau nenaudojami elektros įrankiai turi būti surenkami atskirai ir išmetami nežalingu aplinkai būdu.

Produktas ir naudotojo instrukcijos gali būti pakeistos. Specifikacijos gali būti keičiamos be įspėjimo.

## VALYMAS IR PRIEŽIŪRA



*Prieš valydami ir atlikdami priežiūros darbus, visada išjunkite įrenginį ir ištraukite kištuką iš maitinimo lizdo.*

- Reguliariai valykite korpusą minkšta šluoste.
- Neleiskite, kad ventiliacijos angos būtų apdulkėjusios ir purvinos. Jei reikia, išvalykite dulkes ir purvą nuo ventiliacijos angų minkšta ir drėgna šluoste.
- Reguliariai valykite pjovimo diskus, kad jie būtų naudojami tinkamai.

### Anglinių šepėčių tikrinimas ir keitimas (A pav.)

Anglinius šepėčius reikia tikrinti reguliariai. Jei angliniai šepėčiai panaudoti, įrenginys veiks nevienodai.



*Naudokite tik tinkamus anglinius šepėčius.*

- Nuimkite anglinių šepėčių laikiklius (16), naudodami atsuktuvą.
- Išvalykite anglinius šepėčius.
- Jei šepėčiai panaudoti – pakeiskite juos iš karto.
- Pritvirtinkite anglinių šepėčių laikiklius (16), naudodami atsuktuvą.
- Pritvirtinę naujus anglinius šepėčius, naudokite įrenginį be apkrovos 15 min.

## GARANTIJA

Atsižvelkite į pridėtos garantijos terminus.

## APLINKA

### Šalinimas



Produktus, priedus ir pakuotes reikia surūšiuoti nežalingam aplinkai perdirbimui.

## MŪRA GROPU FRĒZE WSM1008

Paldies, ka iegādājāties šo Ferm izstrādājumu!  
Tagad jums ir izcils izstrādājums, ko piegādājis viens no Eiropas vadošajiem piegādātājiem.

Visi jums piegādātie Ferm izstrādājumi ir ražoti saskaņā ar augstākajiem kvalitātes un drošības standartiem. Daļa no mūsu filozofijas ir nodrošināt izcilu klientu apkalpošanu, pateicoties mūsu visaptverošai garantijai.

Ceram, ka ar prieku izmantosiet šo izstrādājumu vēl daudzus gadus.

### DROŠĪBAS BRĪDINĀJUMI



#### BRĪDINĀJUMS

Izlasiet pievienotos drošības brīdinājumus, papildu drošības brīdinājumus un instrukcijas. Drošības brīdinājumu un instrukciju neievērošana var izraisīt elektrošoku, ugunsgrēku un/vai nopietnas traumas. Saglabājiet drošības brīdinājumus un instrukcijas, lai varētu nepieciešamības gadījumā tajos ielūkoties.

Turpmāk minētie simboli tiek izmantoti lietotāja rokasgrāmatā vai uz izstrādājuma:



Izlasiet lietotāja rokasgrāmatu.



Personīgu traumu risks.



Elektrošoka risks.



Nekavējoties izraujiet kontaktdakšu no elektrotīkla, ja elektrobarošanas kabelis ir bojāts, kā arī tīrīšanas un tehniskās apkopes laikā.



Lietojiet aizsargbrilles. Lietojiet dzirdes aizsargus.



Lietojiet putekļu masku.



Piesardzību: Lāzera stars! Neskatieties tieši virsū lāzera staram. Nevērsiet lāzera staru uz cilvēkiem un dzīvniekiem.



Lidojošu priekšmetu risks. Neļaujiet skatītājiem iekļūt darba laukumā.



Dubultizolācija.



Neatbrīvojieties no izstrādājuma, iemetot to nepiemērotā konteinerā.



Izstrādājums atbilst piemērojamiem Eiropas direktīvu drošības standartiem.

### PAPILDU DROŠĪBAS BRĪDINĀJUMI MŪRA GROPU FRĒŽĒM

- Nelietojiet azbestu saturošu materiālu apstrādei. Azbests tiek uzskatīts par kancerogēnu.
- Lietojiet aizsargbrilles, dzirdes aizsargus un, ja nepieciešams, citus aizsarglīdzekļus, kā, piemēram, drošības cimdi, drošības apavi u.c.
- Pirms lietošanas no sienas izvelciet naglas un citus metāla priekšmetus.
- Veidojot sienā gropes, jums jāzina, kur atrodas paslēptas caurules un elektroinstalācija.
- Mašīnu vienmēr turiet ar abām rokām.
- Neizmantojiet mašīnu bez aizsarga.
- Pirms katras lietošanas reizes pārbaudiet griešanas diskus. Neizmantojiet saliektus, iepļīsušus vai citādi bojātus griešanas diskus.
- Pārliedzieties, vai griešanas diski ir pareizi uzstādīti.
- Pārliedzieties, vai griešanas diski griežas pareizajā virzienā.
- Neizmantojiet mašīnu, ja griešanas diski atrodas ar aso malu uz augšu vai uz sāniem.
- Izmantojiet tikai tādus griešanas diskus, kas ir piemēroti lietošanai ar šo mašīnu.
- Izmantojiet tikai pareizā izmēra griešanas diskus.
- Neizmantojiet citus piederumus, izņemot griešanas diskus.
- Neizmantojiet mašīnu, ja nepieciešamais maksimālais gropes dziļums pārsniedz griešanas disku maksimālo gropes dziļumu.
- Pārliedzieties, ka jūsu rokas nepieskaras rotējošām detaļām.
- Vienmēr strādājiet pareizajā darba virzienā (skatīt uz pamatnes esošo norādījumu).
- Pēc griešanas disku uzstādīšanas ļaujiet mašīnai darboties tukšgaitā drošā vietā. Ja mašīna spēcīgi vibrē, nekavējoties izslēdziet to, izraujiet kontaktdakšu no elektrotīkla un mēģiniet atrisināt šo problēmu.
- Uzmanieties, jo griešanas diski īsu brīdi pēc mašīnas izslēgšanas turpina griezties. Nemēģiniet pats apturēt griešanas diskus.

- Nekad nelieciet mašīnu uz galda vai ēvelsola, pirms tā ir izslēgta.

## TEHNISKIE DATI

### Atsitiens

Atsitiens ir griešanas disku kustība uz augšu un atpakaļ, kad griešanas diski pēkšņi pieskaras priekšmetam. Lietošanas laikā stingri turiet mašīnu ar abām rokām. Koncentrējiet uzmanību uz darbību.

Atsitienu parasti izraisa:

- nejauša cietu priekšmetu vai materiālu aizskaršana ar rotējošiem griešanas diskiem;
- neasi griešanas diski;
- nepareizi uzstādīti griešanas diski;
- griešana jau iepriekš izveidotā gropē;
- par maz uzmanības darbībai;
- nestabils stāvoklis.

### PAPILDU DROŠĪBAS BRĪDINĀJUMI LĀZERIEM

- Neskatieties tieši virsū lāzera staram.
- Nevērsiet lāzera staru uz cilvēkiem un dzīvniekiem.
- Nevērsiet lāzera staru uz spēcīgi atstarojoša materiāla.
- Neievietojiet cietus priekšmetus lāzera optikā.
- Tīriet lāzera optiku ar mīkstu, sausu suku.
- Lāzera remontu uzticiet tikai kvalificētam speciālistam.

### ELEKTRISKĀ DROŠĪBA



*Vienmēr pārbaudiet, vai elektrības padeves voltāža atbilst uz tehnisko pamatdatu plāksnes norādītajai voltāžai.*

- Nelietojiet mašīnu, ja elektrobarošanas kabelis vai kontaktdakša ir bojāta.
- Izmantojiet tikai tādus pagarinājuma kabelus, kas ir piemēroti mašīnas nominālai jaudai, ar minimālo biezumu 1,5 mm<sup>2</sup>. Ja izmantojat pagarinājuma kabeļa rulli, vienmēr pilnībā atrīniet kabeli.

### WSM1008

Elektrotīkla voltāža	V~ 230
Elektrotīkla frekvence	Hz 50
Jaudas izlietojums	W 1.600
Tukšgaitas ātrums	min <sup>-1</sup> 6.000
Gropes platums	mm 8 - 30
Gropes dziļums	mm 8 - 40
Griešanas disks	
Diametrs	mm 150
Atvērums	mm 22,2
Aizsardzības kategorija	IP 20
Svars	kg 6,8

### TROKSNIS UN VIBRĀCIJA

#### WSM1008

Skaņas spiediens (Lpa)	dB(A) 98,8
Akustiskā jauda (Lwa)	dB(A) 109,8
Neprecizitāte (K)	dB(A) 3
Vibrācija (galvenais rokturis)	m/s <sup>2</sup> 3,74
Vibrācija (palīgrokturis)	m/s <sup>2</sup> 3,50
Neprecizitāte (K)	m/s <sup>2</sup> 1,5



*Lietojiet dzirdes aizsargus.*

#### Vibrācijas līmenis

Šīs rokasgrāmatas aizmugurē ar zvaigznīti norādītais vibrācijas emisiju līmenis mērīts, izmantojot standartā EN 60745 paredzēto testu; to var izmantot, lai salīdzinātu instrumentus un provizoriski izvērtētu vibrācijas iedarbību, lietojot instrumentu minētajiem mērķiem

- instrumenta izmantošana citiem mērķiem vai ar citiem vai nepietiekami koptiem piederumiem var ievērojami palielināt iedarbības līmeni
- laika periodi, kad instruments ir izslēgts vai arī ir ieslēgts, taču ar to neestrādā, var ievērojami samazināt iedarbības līmeni

Pasargājiet sevi no vibrācijas ietekmes, veicot instrumenta un tā piederumu tehnisko apkopi, gādājot, lai rokas ir siltas, un organizējot darba gaitu

## APRAKSTS (A ATT.)

Jūsu mūra gropju frēze ir paredzēta gropju veidošanai mūrējumā. Mašīna ir piemērota tikai lietošanai ar labo roku.

1. Ieslēgšanas/izslēgšanas slēdzis
2. Bloķēšanas poga
3. Bloķēšanas svira gropes dziļumam
4. Skala gropes dziļumam
5. Dziļuma aizturis
6. Vārpstas bloķēšanas poga
7. Aizsargs
8. Lāzera ieslēgšanas/izslēgšanas slēdzis
9. Lāzers
10. Pārslodzes indikators
11. Pamatne
12. Ritenītis (4x)
13. Putekļu atsūces kanāls
14. Galvenais rokturis
15. Palīgrokturis
16. Ogleš suku turētājs

## MONTĀŽA



*Pirms montāžas vienmēr izslēdziet mašīnu un izraujiet kontaktdakšu no elektrotīkla.*

### Griešanas disku nomaiņa (B att.)

Nolietoti vai bojāti griešanas diski nekavējoties jānomaina.



- Izmantojiet tikai asus un nebojātus griešanas diskus.
- Vienmēr nomainiet abus griešanas diskus vienlaicīgi.
- Nekad nemēģiniet noņemt aizsargu.
- Lai bloķētu vārpstu (17), turiet nospiestu vārpstas bloķēšanas pogu (6).
- Izmantojot izliekto atslēgu (19), palaidiet vajīgāk ārējo atloku (18).
- Noņemiet veco griešanas disku (20), starplikas (21), veco griešanas disku (22) un iekšējo atloku (23). Ja nepieciešams, izmantojiet skaldīšanas ķīli (24), lai noņemtu starplikas (21).
- Ja nepieciešams, notīriet atlokus (18 & 23).
- Uzstādiet iekšējo atloku (23), jauno griešanas disku (22), starplikas (21) un jauno griešanas disku (20).
- Izmantojot izliekto atslēgu (19), cieši pievelciet ārējo atloku (18).
- Atlaidiet vārpstas bloķēšanas pogu (6).

## IZMANTOŠANA

### Gropes platuma iestatīšana (C att.)

Gropes platumu var iestatīt, izmantojot starplikas starp griešanas diskus. Starpliku skaits starp griešanas diskus nosaka gropes platumu.



- Neiestatiet gropes platumu lietošanas laikā.
- Vienmēr uzstādiet vismaz vienu starpliku starp griešanas diskus.
- Nosakiet gropes platumu.
- Uzstādiet nepieciešamo starpliku (21) daudzumu starp griešanas diskus (20 & 22). Skatiet sadaļu "Griešanas disku nomaiņa".

### Dziļuma aiztura iestatīšana

#### (A & D att.)

Dziļuma aizturis ierobežo maksimālo gropes dziļumu lietošanas laikā, lai novērstu to, ka mašīna iegriež pārāk dziļi sienā. Gropes dziļumu var nolasīt no skalas (4).



*Neiestatiet gropes dziļumu lietošanas laikā.*

- Nedaudz paceliet dziļuma aizturi (5) no aizsarga (7).
- Iestatiet dziļuma aizturi (5) nepieciešamajā pozīcijā.
- Ataidiet dziļuma aizturi (5), lai to nofiksētu pareizā pozīcijā.

### Gropes dziļuma iestatīšana

#### (A & E att.)

Gropes dziļumu var mainīt starp 0 un 40 mm. Gropes dziļumu var nolasīt no skalas (4).



*Neiestatiet gropes dziļumu lietošanas laikā.*

- Palaidiet vajīgāk bloķēšanas sviru (3).
- Nolieciet pamatni (11) nepieciešamajā pozīcijā.
- Pievelciet ciešāk bloķēšanas sviru (3).

### Ieslēgšana un izslēgšana (A att.)

- Lai ieslēgtu mašīnu, turiet nospiestu bloķēšanas pogu (2) un vienlaicīgi nospiediet ieslēgšanas/izslēgšanas slēdzi (1).
- Lai izslēgtu mašīnu, atlaidiet ieslēgšanas/izslēgšanas slēdzi (1).

### Lāzera izmantošana (A att.)

Lāzers tiek izmantots griezuma projekcijai uz sienas.

- Lai ieslēgtu lāzeru (9), nospiediet ieslēgšanas/izslēgšanas slēdzi (8).
- Lai izslēgtu lāzeru (9), atlaidiet ieslēgšanas/izslēgšanas slēdzi (8).

### Pārslodzes indikators (A att.)

Pārslodzes indikators (10) norāda, vai mašīna ir pārslogota.

- Ja mašīna ir ieslēgta, pārslodzes indikators (10) iemirgojas zaļā krāsā 3 reizes.
- Ja pārslodzes indikators (10) iedegas zaļā krāsā, mašīna nav pārslogota. Mašīnu var izmantot kā ierasts.
- Ja pārslodzes indikators (10) iemirgojas sarkanā krāsā, mašīna ir pārslogota. Izmantojiet mazāku spiedienu uz mašīnu.
- Ja pārslodzes indikators (10) iedegas sarkanā krāsā, mašīna ir pilnībā pārslogota. Mašīna tiks izslēgta.

### Putekļu nosūkšana (F att.)

Izmantojiet mašīnu tikai tad, kad tā ir pievienota vakuuma iekārtai, ko drīkst lietot ar minerālpulveri. Vakuuma iekārtai jābūt piemērotai apstrādājamajam materiālam. Izmantojiet speciālu vakuuma iekārtu, strādājot ar toksiskiem materiāliem vai arī vietās, kur tiek radīti toksiski putekļi.



- Nekad neizmantojiet māsaimniecības putekļsūcēju. Māsaimniecības putekļsūcēja izmantošana var viegli sabojāt gan jūsu veselību, gan putekļsūcēju.
- Vienmēr izmantojiet putekļu nosūkšanas adapteru.
- Pārliedzinieties, vai vakuuma iekārtas šļūtene ir droši pievienota putekļu nosūkšanas adapteram.
- Ja vakuuma iekārta salūzt, nekavējoties pārtrauciet darbu, izslēdziet mašīnu, izraujiet kontaktdakšu no elektrotīkla un mēģiniet atrisināt šo problēmu.
- Ievietojiet putekļu nosūkšanas adapteru (25) putekļu nosūkšanas savienojumā (13).
- Pievelciet putekļu nosūkšanas adapteru (25), pagriežot to pulksteņrādītāja kustības virzienā, līdz tas nofiksējas vietā.
- Pievienojiet vakuuma iekārtas šļūteni putekļu nosūkšanas adapteram (25).

### Optimālas izmantošanas ieteikumi

- Uzzīmējiet līnijas, lai noteiktu virzienu, kurā virzīt griešanas diskus.
- Turiet mašīnu ar abām rokām.
- Iestatiet gropes platumu.
- Iestatiet dziļuma aizturi.
- Veiciet vienu no turpmāk minētajām darbībām:
  - Virziet mašīnu dziļāk sienā un iestatiet gropes dziļumu (vēlamo). Mašīna ir novietota pret sienu, un griešanas diski tiek virzīti sienā, lai iestatītu gropes dziļumu precīzāk.
  - Iestatiet gropes dziļumu un virziet mašīnu dziļāk sienā.
- Novietojiet mašīnu ar ritenīšiem pret sienu. Pārliedzinieties, vai griešanas diski sakrīt ar uz sienas uzzīmētajām līnijām.
- Iestatiet gropes dziļumu.
- Ieslēdziet mašīnu.
- Pagaidiet, līdz mašīna sasniedz pilnu ātrumu.
- Lēni virziet mašīnu pa iepriekš uzzīmētajām līnijām, stingri spiežot ritenīšus pret sienu.
- Neizmantojiet pārāk lielu spiedienu uz mašīnu. Ļaujiet mašīnai veikt darbu.
- Izslēdziet mašīnu un gaidiet, līdz tā pilnībā apstājas, pirms to noliekat.

## TĪRĪŠANA UN TEHNISKĀ APKOPE



*Pirms tīrīšanas un tehniskās apkopes vienmēr izslēdziet mašīnu un izraujiet kontaktdakšu no elektrotīkla.*

- Regulāri tīriet korpusu ar mīkstu drānu.
- Uzturiet ventilācijas caurumus tīrus no putekļiem un netīrumiem. Ja nepieciešams, izmantojiet mīkstu, mitru drānu, lai notīrītu putekļus un netīrumus no ventilācijas caurumiem.
- Regulāri tīriet griešanas diskus, lai izvairītos no neprecizitātēm lietošanas laikā.

### Ogles suku pārbaude un nomainīšana (A att.)

Ogles suku pārbauda regulāri. Ja ogles suku nepieciešams, mašīna sāks darboties nevienmērīgi.



*Izmantojiet tikai pareizo ogles suku veidu.*

- Noņemiet ogles suku turētājus (16), izmantojot skrūvgriezi.
- Notīriet ogles suku.
- Nolieciet jaunu ogles suku, nomainot abas ogles suku vienlaicīgi.

- Uzstādiet ogles suku turētājus (16), izmantojot skrūvgriezi.
- Pēc jauno ogles suku uzstādīšanas ļaujiet mašīnai darboties tukšgaitā 15 minūtes.

## GARANTĪJA

Ievērojiet pievienotos garantijas noteikumus.

## VIDE

### Atbrīvošanās



Izstrādājums, piederumi un iepakojums jāšķiro, lai tiktu veikta videi draudzīga pārstrāde.

### Tikai EK valstīm

Neatbrīvojieties no elektriskiem instrumentiem, izmetot tos mājturības atkritumos. Saskaņā ar Eiropas direktīvu 2002/96/EK par elektrisko un elektronisko iekārtu atkritumiem un tās piemērošanu nacionālajās tiesībās, elektriskos instrumentus, kuri vairs nav izmantojami, ir jāsavāc atsevišķi un no tiem jāatbrīvojas videi draudzīgā veidā.

Izstrādājums un lietotāja rokasgrāmata var mainīties. Tehniskos datus var mainīt bez iepriekšēja brīdinājuma.

## SOONEFREES WSM1008

Tānāme, et ostsite selle Fermi toote.

Olete teinud hea ostu ning nüüd on teil suurepärane toode ühelt Euroopa juhtivalt elektritööriistade tarnijalt.

Kõik Fermi tarnitud tooted on valmistatud vastavuses rangeimate toimimis- ja ohutusnõuetega. Lisaks sellele oleme me seadnud endale eesmärgiks pakkuda suurepäraselt klienditeenindust ja igakülget garantiid.

Me loodame, et tunnete sellest tootest rõõmu ka aastate pärast.

## OHUTUSTEAVE



### HOIATUS

*Lugege tootega kaasas olevat ohutusteavet, täiendavat ohutusteavet ja juhiseid.*

*Ohutusteabe ja juhiste mittejärgimise tagajärjeks võib olla elektrilööök, tulekahju ja/või tõsine vigastus.*

*Hoidke ohutusteave ja juhised alati käepärast.*

Kasutusjuhendis või tootel kasutatakse järgmisi sümboleid:



*Lugege kasutusjuhendit.*



*Tervisekahjustuse oht.*



*Elektrilöögioht.*



*Eemaldage seade vooluvõrgust, kui toitejuhe saab kahjustada või kui puhastate ja hooldate seadet.*



*Kasutage kaitseprille. Kasutage kuulmiskaitsevahendeid.*



*Kasutage tolumaski.*



*Ettevaatust: Laserikiir! Ärge suunake laserikiirt otse silma. Ärge suunake laserikiirt inimestele või loomadele.*



*Lenduva prahi oht. Hoidke kõrvalised isikud tööalast eemal.*





*Kaitseisolatsiooniga.*



*Ärge hoidke toodet selleks ebasobivas kohas.*



*Toode on vastavuses Euroopa Liidu direktiivides sätestatud asjakohaste ohutusnõuetega.*

## **TÄIENDAV OHUTUSTEAVE SOONEFREESI KASUTAMISE KOHTA**

- Ärge lõigake materjale, mis sisaldavad asbesti. Asbest võib põhjustada pahaloomulisi kasvajaid.
- Kasutage kaitseprille, kuulmiskaitsevahendeid ning vajadusel ka muid kaitsevahendeid, näiteks kaitsekindaid, kaitsejalatseid jms.
- Enne freesi kasutamist eemaldage seinast naelad ja muud metallist esemed.
- Soonte lõikamisel vältige seintes olevate torude ja juhtmete kahjustamist.
- Hoidke freesi alati kahe käega.
- Ärge kasutage freesi ilma kaitsekatteta.
- Kontrollige lõikekettaid enne iga kasutuskorda. Ärge kasutage kõverdunud, pragunenud või muul moel kahjustatud lõikekettaid.
- Veenduge, et lõikekettad on korralikult kinnitatud.
- Veenduge, et lõikekettad pöörlevad õiges suunas.
- Ärge kasutage freesi asendis, mille korral lõikekettad on suunatud teie poole või küljele.
- Kasutage ainult sellele freesile sobivaid lõikekettaid.
- Kasutage ainult õige suurusega lõikekettaid.
- Ärge kasutage peale lõikeketaste muid tarvikuid.
- Ärge kasutage freesi juhul, kui teil on vaja lõigata sügavam soon, kui seda võimaldavad lõikekettad.
- Ärge puudutage kätega freesi pöörlevaid osi.
- Alati kasutage freesi õiges asendis (vt alusraamil olevat tähistust).
- Pärast lõikeketaste paigaldamist laske freesil ohutus kohas tühijooksul töötada. Kui frees vibreerib tugevalt, lülitage see kohe välja, eemaldage toitejuhe vooluvõrgust ning proovige probleemi lahendada.
- Olge ettevaatlik, sest lõikekettad pöörlevad veel mõnda aega pärast freesi väljalülitamist. Ärge üritage pöörlevaid lõikekettaid ise peatada.
- Ärge kunagi asetage töötavat freesi lauale või tööpingile.

## **Tagasilöök**

Tagasilöök on lõikeketaste liikumine üles- ja tahapoole, kui need puutuvad ootamatult mõnda eset. Kasutamisel hoidke freesi mõlema käega kindlalt kinni. Freesiga töötamisel keskenduge ainult sellele.

Tagasilööki põhjustab tavaliselt:

- kõvade esemete või materjalide puudutamine pöörlevate lõikeketastega;
- nürid lõikekettad;
- valesti paigaldatud lõikekettad;
- lõikeketta sattumine eelnevalt lõigatud süvendisse;
- tähelepanu hajumine freesiga töötamisel;
- ebastabiilne kehaasend.

## **TÄIENDAV OHUTUSTEAVE LASERI KASUTAMISE KOHTA**

- Ärge suunake laserikiirt otse silma.
- Ärge suunake laserikiirt inimestele või loomadele.
- Ärge suunake laserikiirt hästipeegeldavatele materjalidele.
- Ärge puudutage laseri läätse kõvade esemetega.
- Puhastage laseri läätse pehme kuiva harjaga.
- Laseri parandamiseks kasutage ainult kvalifitseeritud tehniku abi.

## **ELEKTRIOHUTUS**



*Alati veenduge, et toiteallika pinge vastaks freesi andmesildil toodud pingele.*

- Ärge kasutage freesi, kui selle toitejuhe või pistik on kahjustatud.
- Kasutage ainult pikendusjuhtmeid, mis vastavad seadme võimsusklassile ning mille ristlõikepindala on vähemalt 1,5 mm<sup>2</sup>. Kui te kasutate rullile keritud pikendusjuhet, kerige juhe alati täielikult lahti.

## TEHNILISED ANDMED

WSM1008	
Võrgupinge	V~ 230
Võrgusagedus	Hz 50
Sisendvõimsus	W 1.600
Tühijooksukiirus	min <sup>-1</sup> 6.000
Soone laius	mm 8 - 30
Soone sügavus	mm 8 - 40
Lõikeketas	
Läbimõõt	mm 150
Ava läbimõõt	mm 22,2
Kaitseklass	IP20
Kaal	kg 6,8

## MÜRA JA VIBRATSIOON

WSM1008	
Helirõhk (Lpa)	dB(A) 98,8
Helivõimsus (Lpa)	dB(A) 109,8
Mõõtemääramatus (K)	dB(A) 3
Vibratsioon (põhikäepide)	m/s <sup>2</sup> 3,74
Vibratsioon (lisakäepide)	m/s <sup>2</sup> 3,50
Mõõtemääramatus (K)	m/s <sup>2</sup> 1,5



*Kasutage kuulmiskaitsevahendeid.*

## Vibratsioonitase

Käesoleva juhendi tagakaanel nimetatud tekkiva vibratsiooni tase on mõõdetud vastavalt standardis EN 60745 kirjeldatud standarditud testile; seda võib kasutada ühe tööriista võrdlemiseks teise ja vibratsiooni mõju esialgseks hindamiseks märgitud rakenduste jaoks kasutatavate tööriistade käitamisel

- tööriista kasutamine muudeks rakendusteks või teiste/halvasti hooldatud tarvikute kasutamisel võib ekspositsioonitase märkimisväärselt suurene da
- ajal, kui tööriist on väljalülitatud või on küll sisselülitatud, kuid tegelikult seda ei kasutata, võib ekspositsioonitase märkimisväärselt väheneda

Kaitske ennast vibratsiooni toime eest, hooldades tööriista ja selle tarvikuid, hoides oma käed soojad ja organiseerides hästi oma töövõtteid

## KIRJELDUS (JOON. A)

Teie soonefrees on mõeldud soonte lõikamiseks müüritisse. Frees sobib ainult paremakäeliseks kasutamiseks.

1. Toitelüliti
2. Käivituskaitse nupp
3. Lukustushoob soone sügavuse täppisreguleerimiseks
4. Soone sügavuse skaala
5. Sügavuspiirik soone sügavuse astmeliseks reguleerimiseks
6. Võlliilukustusnupp
7. Kaitsekate
8. Laseri toitelüliti
9. Laser
10. Ülekoormuse märgutuli
11. Alusraam
12. Ratas (4x)
13. Tolmueemaldustoru
14. Põhikäepide
15. Lisakäepide
16. Sõe harja hoidik

## OSADE VAHETAMINE



*Enne osade vahetamist lülitage frees alati välja ning eemaldage toitejuhe vooluvõrgust.*

## Lõikeketaste vahetamine (joon. B)

Kulunud või kahjustatud lõikekettad tuleb otsekohe välja vahetada.



- Kasutage ainult teravaid ja kahjustamata lõikeketaid.
- Alati vahetage välja mõlemad lõikekettad.
- Ärge üritage kaitsekate eemaldada.
- Võlli (17) lukustamiseks vajutage võlliilukustusnupp (6) alla.
- Kasutage välimise äärikmutri (18) lahtikeeramiseks äärikmutrivõtiti (19).
- Eemaldage vana lõikeketas (20), vaherõngad (21), vana lõikeketas (22) ning sisemine äärikmutter (23). Vajadusel kasutage vaherõngaste (21) eemaldamiseks kiilu (24).
- Vajadusel puhastage äärikmutreid (18 & 23).
- Paigaldage sisemine äärikmutter (23), uus lõikeketas (22), vaherõngad (21) ning uus lõikeketas (20).

- Keerake välimine äärikmutter (18) äärikmutrivõtme (19) abil tugevalt kinni.
- Vabastage võllilukustusnupp (6).

- Laseri (9) sisselülitamiseks vajutage toitelüliti (8).
- Laseri (9) väljalülitamiseks vabastage toitelüliti (8).

## KASUTAMINE

### Soone laiuse reguleerimine

#### (joon. C)

Soone laiust saab reguleerida lõikeketaste vahel olevate vaherõngaste abil. Soone laiuse määrab ära lõikeketaste vahel olevate vaherõngaste arv.



- Ärge reguleerige soone laiust, kui frees töötab.
- Lõikeketaste vahele peab alati jääma vähemalt üks vaherõngas.
- Määrake soone laius.
- Paigaldage lõikeketaste (20 & 22) vahele vastav arv vaherõngaid (21). Vaadake peatükki "Lõikeketaste vahetamine".

### Sügavuspiiriku reguleerimine (joon. A & D)

Sügavuspiirik takistab lõikamist kindlaksmääratud sügavusest sügavamale. Soone sügavust võib näha skaalalt (4).



*Ärge reguleerige sügavuspiirikut sel ajal, kui frees töötab.*

- Tõmmake sügavuspiirik (5) kaitsekattest (7) pisut eemale.
- Seadke sügavuspiirik (5) soovitud asendisse.
- Vabastage sügavuspiirik (5), et see siis soovitud asendisse lukustada.

### Soone sügavuse reguleerimine (joon. A & E)

Soone sügavuseks on võimalik valida 0 kuni 40 mm. Soone sügavust võib näha skaalalt (4).



*Ärge reguleerige soone sügavust sel ajal, kui frees töötab.*

- Lõdvendage lukustushooba (3).
- Liigutage alusraam (11) soovitud asendisse.
- Pingutage lukustushooba (3).

### Sisse- ja väljalülitamine (joon. A)

- Freesi sisselülitamiseks vajutage käivituskaitsenupp (2) ning toitelüliti (1) korruga alla.
- Freesi väljalülitamiseks vabastage toitelüliti (1).

### Laseri kasutamine (joon. A)

Laser on mõeldud lõikejoone projitseerimiseks seinale.

### Ülekoormuse märgutuli (joon. A)

Ülekoormuse märgutuli (10) näitab, kas frees on ülekoormatud või mitte.

- Freesi sisselülitamisel vilgub ülekoormuse märgutuli (10) 3 korda roheliselt.
- Kui ülekoormuse märgutuli (10) põleb roheliselt, pole frees ülekoormatud. Freesi saab sel juhul tavapäraselt kasutada.
- Kui ülekoormuse märgutuli (10) vilgub punaselt, on frees ülekoormatud. Vähendage freesile avaldatavat survet.
- Kui ülekoormuse märgutuli (10) põleb punaselt, on frees täielikult ülekoormatud. Sel juhul lülitub frees välja.

### Tolmu eemaldamine (joon. F)

Kasutage soonefreesi ainult siis, kui see on ühendatud kivitolmu eemaldamiseks mõeldud imiseadmega. Kasutatav imiseade peab vastama töödeldavale materjalile. Mürgiste materjalidega töötamisel või kui tekkida võib mürgist tolmu, kasutage spetsiaalset imiseadet.



- Ärge kunagi kasutage tavatolmuimejat. Tavatolmuimeja kasutamisel võite kahjustada nii oma tervist kui ka tolmuimeajat.
- Kasutage alati tolmuveemaldusliitmikku.
- Veenduge, et imiseadme voolik on tolmueemaldusliitmikuga kindlalt ühendatud.
- Kui imiseade peaks katki minema, lõpetage kohe töötamine, lülitage frees välja, eemaldage toitejuhe vooluvõrgust ning proovige probleemi lahendada.
- Paigaldage tolmueemaldusliitmik (25) tolmueemaldustorusse (13).
- Tolmueemaldusliitmiku (25) lukustamiseks pöörake seda päripäeva.
- Ühendage imiseadme voolik tolmueemaldusliitmikuga (25).

### Nõuanded parima töötulemuse saavutamiseks

- Märkige pliitsiga jooned, mis abistavad teid lõikeketaste suunamisel.
- Hoidke freesi mõlema käega.
- Seadistage soone laius.
- Määrake sügavuspiirikuga ära soone piirsügavus.

- Tehke ühte järgmistest toimingutest:
- Asetage frees vastu seina ning seadistage soone sügavust (soovitav). Asetage frees ja lõikekettad vastu seina ning reguleerige soone sügavust veelgi täpsemalt.
- Seadistage soone sügavus ning asetage frees vastu seina.
- Asetage frees ratastega vastu seina. Veenduge, et lõikekettad ühtivad seinale märgitud joontega.
- Seadistage soone sügavus.
- Lülitage frees sisse.
- Oodake, kuni frees on saavutanud täiskiruse.
- Rattaid tugevalt vastu seina surudes liikuge freesiga aeglaselt mööda eelnevalt märgitud jooni.
- Ärge avaldage freesile liiga suurt survet. Võimaldage freesil vabalt töötada.
- Lülitage frees välja ning enne selle käestpanekut oodake, kuni see on täielikult seiskunud.

## PUHASTAMINE JA HOOLDAMINE



*Enne puhastamist ja hooldamist lülitage frees alati välja ning eemaldage toitejuhe vooluvõrgust.*

- Puhastage freesi pehme kuiva lapiga.
- Hoolitsege selle eest, õhusavadesse ei satuks tolmu ja mustust. Vajadusel kasutage tolmu ja mustuse eemaldamiseks õhusavadest pehmet niisket lappi.
- Ebatäpsuste vältimiseks freesi kasutamisel, puhastage lõikekettaid regulaarselt.

### Sõeharjade kontrollimine ja vahetamine (joon. A)

Sõeharju tuleb regulaarselt kontrollida. Kui sõeharjad on kulunud, hakkab frees ebaühtlaselt töötama.



*Kasutage alati ainult selle freesiga sobivaid sõeharju.*

- Eemaldage sõeharjade hoidikud (16) kruvikeeraja abil.
- Puhastage sõeharju.
- Kui sõeharjad on kulunud, vahetage alati välja mõlemad sõeharjad.
- Kinnitage sõeharjade hoidikud (16) kruvikeeraja abil.
- Pärast uute sõeharjade paigaldamist laske freesil 15 minutit tühijooksul töötada.

## GARANTII

Tutvuge seadmega kaasas olevate garantiitingimustega.

## KESKKOND

### Kasutusest kõrvaldamine



Toode, selle tarvikud ning pakend tuleb sorteerida, et tagada nende keskkonnasõbralik ringlussevõtt.

### Euroopa Ühenduse riigid

Ärge visake elektritööriistu olmeprügi hulka. Vastavalt Euroopa Parlamendi ja nõukogu direktiivile 2002/96/EÜ elektri- ja elektroonikaseadmete jäätmete kohta ning vastavalt seda direktiivi rakendavatele riiklikele õigusaktidele tuleb kasutuskõlbmatud elektritööriistad koguda teistest jäätmetest eraldi ning kõrvaldada kasutusest keskkonnasõbralikul viisil.

Toodet ja kasutusjuhendit võidakse muuta. Spetsifikatsioone võidakse muuta ilma eelneva etteteatamiseta.

## MAȘINĂ DE MORTEZAT PENTRU PEREȚI WSM1008

Vă mulțumim pentru cumpărarea acestui produs Ferm.

Ați achiziționat un produs excelent, fabricat de unul dintre principalii producători din Europa.

Toate produsele livrate de Ferm sunt fabricate respectând cele mai înalte standarde de funcționare și de siguranță. De asemenea, asigurăm servicii de asistență excelente și o garanție cuprinzătoare.

Sperăm să utilizați cu plăcere acest produs în anii ce urmează.

### AVERTIZĂRI DE SIGURANȚĂ



#### AVERTIZARE

*Citiți avertizările de siguranță, avertizările de siguranță suplimentare și instrucțiunile. Nerespectarea avertizărilor de siguranță poate cauza producerea de electrocutări, incendii și/sau răniri grave. Păstrați avertizările de siguranță și instrucțiunile pentru consultări ulterioare.*

În manualul de utilizare sau pe produs se utilizează următoarele simboluri:



*Citiți manualul de utilizare.*



*Pericol de rănire personală.*



*Pericol de electrocutare.*



*În cazul în care cablul de alimentare se deteriorează și în timpul procedurilor de curățare și de întreținere deconectați imediat fișa de la priza de rețea.*



*Purtați ochelari de protecție.  
Purtați protecții antifonice.*



*Purtați o mască antipraf.*



*Atenție: Fascicul laser! Nu priviți direct spre fasciculul laser.  
Nu îndreptați fasciculul laser către persoane sau animale.*



*Pericol de obiecte zburătoare.  
Nu permiteți accesul altor persoane în zona de lucru.*



*Izolație dublă.*



*Nu scoateți din uz produsul în containere neadecvate.*



*Produsul este în conformitate cu standardele de siguranță aplicabile din directivele europene.*

### AVERTIZĂRI DE SIGURANȚĂ SUPLIMENTARE PENTRU MAȘINI DE MORTEZAT PENTRU PEREȚI

- Nu prelucrați materiale care conțin azbest. Azbestul este considerat o substanță cancerigenă.
- Purtați ochelari de protecție, protecții antifonice și, dacă este necesar, alte mijloace de protecție, de exemplu mănuși de protecție, încălțăminte de protecție etc.
- Înainte de utilizare îndepărtați de pe perete toate cuiele și alte obiecte metalice.
- Atunci când tăiați canale în pereți țineți cont că în acestea pot exista țevi și circuite electrice.
- Țineți întotdeauna mașina cu ambele mâini.
- Nu utilizați mașina fără apărătoare.
- Inspectați discurile tăietoare înainte de fiecare utilizare. Nu utilizați discuri tăietoare îndoite, crăpate sau deteriorate în alt fel.
- Asigurați-vă că discurile tăietoare sunt montate corect.
- Asigurați-vă că discurile tăietoare se rotesc în sensul corect.
- Nu utilizați mașina cu discurile tăietoare îndreptate în sus sau lateral.
- Utilizați numai discuri tăietoare adecvate utilizării cu acest tip de mașină.
- Utilizați numai discuri tăietoare cu dimensiuni corecte.
- Nu utilizați alte accesorii decât discurile tăietoare.
- Nu utilizați mașina atunci când adâncimea maximă necesară de tăiere depășește adâncimea maximă de mortezare a discurilor tăietoare.
- Asigurați-vă că mâinile dvs. nu ating componentele rotative.
- Lucrați întotdeauna în direcția de lucru corectă (a se vedea indicația de pe baza mașinii).

- După montarea discurilor tăietoare, lăsați mașina să funcționeze în gol într-o zonă sigură. Dacă mașina vibrează puternic, opriți imediat alimentarea electrică a mașinii, deconectați fișa cablului de alimentare de la priza de rețea și încercați să rezolvați problema.
- Rețineți că discurile tăietoare continuă să se rotească un interval scurt de timp după oprirea alimentării electrice a mașinii. Nu încercați să opriți rotația discurilor tăietoare.
- Nu așezați niciodată mașina pe o masă sau pe un banc de lucru înainte de a opri alimentarea electrică.

### Reculul

Reculul este mișcarea în sus și înapoi a discurilor tăietoare atunci când acestea ating neașteptat un obiect. Atunci când o utilizați, țineți întotdeauna mașina ferm cu ambele mâini. Fiți concentrați numai asupra operației pe care o efectuați.

De obicei, reculul este cauzat de:

- atingerea neintenționată cu discurile tăietoare în mișcare de rotație a unor obiecte sau materiale dure;
- discuri tăietoare tocite;
- discuri tăietoare montate incorect;
- tăierea într-o tăietură anterioară;
- lipsa de atenție la operația efectuată;
- utilizarea mașinii dintr-o poziție instabilă.

### AVERTIZĂRI DE SIGURANȚĂ SUPLIMENTARE PENTRU FASCICULELE LASER

- Nu priviți direct spre fasciculul laser.
- Nu îndreptați fasciculul laser către persoane sau animale.
- Nu îndreptați fasciculul laser către materiale puternic reflectante.
- Nu introduceți obiecte dure în sistemul optic pentru fasciculul laser.
- Curățați sistemul optic pentru fasciculul laser cu o cârpă moale și uscată.
- Repararea sistemului optic pentru fasciculul laser trebuie efectuată numai de către un tehnician calificat.

### INSTRUCȚIUNI DE SIGURANȚĂ PRIVIND ALIMENTAREA ELECTRICĂ



Verificați întotdeauna că tensiunea rețelei electrice de alimentare corespunde tensiunii de pe plăcuța indicatoare a caracteristicilor tehnice.

- Nu utilizați mașina în cazul în care cablul de alimentare și/sau fișa acestuia sunt deteriorate.
- Utilizați numai cabluri prelungitoare corespunzătoare puterii nominale a mașinii și cu o grosime minimă de 1,5 mm<sup>2</sup>. Dacă utilizați un cablu prelungitor înfășurat pe un tambur, desfășurați complet cablul.

### DATE TEHNICE

WSM1008	
Tensiune rețea	V~ 230
Frecvență rețea	Hz 50
Putere de alimentare	W 1.600
Viteză la funcționare în gol	min <sup>-1</sup> 6.000
Lățime de tăiere	mm 8 - 30
Adâncime de tăiere	mm 8 - 40
Disc tăietor	
Diametru	mm 150
Alezaj	mm 22,2
Clasă de protecție	IP 20
Greutate	kg 6,8

### ZGOMOT ȘI VIBRAȚII

WSM1008	
Presiune sonoră (Lpa)	dB(A) 98,8
Putere acustică (Lwa)	dB(A) 109,8
Incertitudine (K)	dB(A) 3
Vibrații (mâner principal)	m/s <sup>2</sup> 3,74
Vibrații (mâner auxiliar)	m/s <sup>2</sup> 3,50
Incertitudine (K)	m/s <sup>2</sup> 1,5



*Purtați protecții antifonice.*

### Nivelul vibrațiilor

Nivelul emisiilor de vibrații menționat pe spatele acestui manual de instrucțiuni a fost măsurat în conformitate cu un test standardizat precizat în EN 60745; poate fi folosit pentru a compara o sculă cu alta și ca evaluare preliminară a expunerii la vibrații atunci când folosiți scula pentru aplicațiile menționate

- utilizarea sculei pentru aplicații diferite sau cu accesorii diferite și prost întreținute poate crește semnificativ nivelul de expunere

- momentele în care scula este oprită sau când funcționează dar nu execută nicio lucrare, pot reduce semnificativ nivelul de expunere

Protejați-vă împotriva efectelor vibrațiilor prin întreținerea sculei și a accesoriilor sale, păstrând mâinile calde și organizând procesele de lucru

## DESCRIERE (FIG. A)

Această mașină de mortezat pentru pereți este destinată efectuării de șanțuri în zidărie. Mașina este destinată exclusiv utilizării cu mâna dreaptă.

1. Întrerupător pornit/oprit
2. Buton deblocare
3. Manetă de blocare pentru adâncimea de tăiere
4. Scală pentru adâncimea de tăiere
5. Oprit adâncime
6. Buton blocare ax
7. Apărătoare
8. Întrerupător pornit/oprit pentru laser
9. Laser
10. Indicator suprasarcină
11. Bază
12. Roată (4x)
13. Racord evacuare praf
14. Mâner principal
15. Mâner auxiliar
16. Suport perii de cărbune

## ASAMBLARE



*Înainte de asamblare, opriți alimentarea electrică a mașinii și deconectați fișa cablului de alimentare de la priza de rețea.*

### Înlocuirea discurilor tăietoare (fig. B)

Discurile uzate sau deteriorate trebuie înlocuite imediat.



- Utilizați numai discuri ascuțite și nedeteriorate.
- Înlocuiți întotdeauna ambele discuri tăietoare.
- Nu încercați niciodată să scoateți apărătoarea.
- Țineți butonul de blocare a axului (6) apăsat pentru a bloca axul (17).
- Slăbiți flanșa exterioră (18) cu cheia pentru flanșe (19).

- Scoateți discul tăietor vechi (20), distanțierele (21), discul tăietor vechi (22) și flanșa interioară (23), dacă este necesar, utilizați pana de despicat (24) pentru a scoate distanțierele (21).
- Dacă este necesar, curățați flanșele (18 & 23).
- Montați flanșa interioară (23), discul tăietor nou (22), distanțierele (21) și discul tăietor nou (20).
- Strângeți ferm flanșa exterioră (18) cu cheia pentru flanșe (19).
- Eliberați butonul de blocare a axului (6).

## UTILIZARE

### Stabilirea lățimii de tăiere (fig. C)

Lățimea de tăiere se poate stabili cu ajutorul distanțierelor dintre discurile tăietoare. Numărul de distanțiere dintre discurile tăietoare stabilește lățimea de tăiere.



- Nu stabiliți lățimea de tăiere în timpul utilizării mașinii.
- Montați întotdeauna cel puțin un distanțier între discurile tăietoare.
- Stabiliți lățimea de tăiere.
- Montați numărul necesar de distanțiere (21) între discurile tăietoare (20 & 22). Consultați secțiunea „Înlocuirea discurilor tăietoare”.

### Setarea opritorului de adâncime (fig. A & D)

Opritorul de adâncime restricționează adâncimea maximă de tăiere în timpul utilizării pentru a împiedica mașina să taie prea adânc în perete. Adâncimea șanțului se poate citi pe scala (4).



*Nu setați opritorul de adâncime în timpul utilizării mașinii.*

- Ridicați ușor opritorul de adâncime (5) din apărătoare (7).
- Puneți opritorul de adâncime (5) în poziția necesară.
- Eliberați opritorul de adâncime (5) pentru a îl bloca în poziția corectă.

### Stabilirea adâncimii de tăiere (fig. A & E)

Adâncimea de tăiere poate varia între 0 și 40 mm și se poate citi pe scala (4).



*Nu stabiliți adâncimea de tăiere în timpul utilizării mașinii.*

- Slăbiți maneta de blocare (3).
- Înclinați baza (11) în poziția necesară.
- Strângeți maneta de blocare (3).

#### **Pornirea/oprirea mașinii (fig. A)**

- Pentru a porni mașina, țineți apăsat butonul de deblocare (2) și, în același timp, apăsați pe întrerupătorul pornit/oprit (1).
- Pentru a opri mașina, eliberați întrerupătorul pornit/oprit (1).

#### **Utilizarea laserului (fig. A)**

Laserul se utilizează pentru proiectarea tăieturii pe perete.

- Pentru a porni laserul (9), apăsați pe întrerupătorul pornit/oprit (8).
- Pentru a opri laserul (9), eliberați întrerupătorul pornit/oprit (8).

#### **Indicatorul de suprasarcină (fig. A)**

Indicatorul de suprasarcină (10) arată dacă mașina este suprasolicitată.

- Dacă mașina este pornită, indicatorul de suprasarcină (10) se aprinde intermitent de 3 ori (verde).
- Dacă indicatorul de suprasarcină (10) luminează cu verde, mașina nu este suprasolicitată. Mașina se poate utiliza normal.
- Dacă indicatorul de suprasarcină (10) se aprinde intermitent (roșu), mașina este suprasolicitată. Aplicați o presiune mai mică asupra mașinii.
- Dacă indicatorul de suprasarcină (10) luminează cu roșu, mașina este complet suprasolicitată. Mașina se va opri.

#### **Evacuarea prafului (fig. F)**

Utilizați mașina numai dacă este conectată la un dispozitiv de aspirare aprobat pentru praf de piatră. Dispozitivul de aspirare trebuie să fie adecvat pentru materialul de tăiat.

Atunci când lucrați cu materiale toxice sau se produce praf toxic, utilizați un dispozitiv de aspirare special.



- Nu utilizați niciodată un aspirator de praf de ut casnic. Dacă utilizați un aspirator de praf de ut casnic, vă puneți sănătatea în pericol și mașina se poate defecta.
- Utilizați întotdeauna adaptorul de evacuare a prafului.

- Asigurați-vă că furtunul dispozitivului de aspirare este racordat corect la adaptorul de evacuare a prafului.
- Dacă dispozitivul de aspirare se defectează, opriți imediat lucrul, opriți alimentarea electrică a mașinii, deconectați fișa cablului de alimentare de la priza de rețea și încercați să rezolvați problema.
- Introduceți adaptorul de evacuare a prafului (25) în racordul de evacuare a prafului (13).
- Strângeți adaptorul de evacuare a prafului (25) rotindu-l în sensul acelor de ceasornic până când se fixează în poziție.
- Conectați furtunul dispozitivului de aspirare la adaptorul de evacuare a prafului (25).

#### **Sfaturi pentru utilizare optimă**

- Trasați linia pentru a defini direcția de ghidare a discurilor tăietoare.
- Țineți mașina cu ambele mâini.
- Stabiliți lățimea de tăiere.
- Setati opritorul de adâncime.
- Urmați unul dintre pașii următori:
  - Coborâți mașina în perete și setați adâncimea de tăiere (recomandat). Mașina se plasează lângă perete și discurile tăietoare în perete pentru a stabili mai precis adâncimea de tăiere.
  - Stabiliți adâncimea de tăiere și coborâți mașina în perete.
- Plasați mașina cu roțile pe perete. Asigurați-vă că discurile tăietoare sunt alinate cu liniile trasate pe perete.
- Stabiliți adâncimea de tăiere.
- Porniți mașina.
- Așteptați până când discurile se rotesc la viteza nominală.
- Deplasați încet mașina de-a lungul liniilor pretrasate apăsând ferm roțile pe perete.
- Nu aplicați o presiune excesivă asupra mașinii. Lăsați mașina să-și facă treaba.
- Opriți mașina și așteptați oprirea completă a discurilor înainte de a pune jos mașina.

## **CURĂȚARE ȘI ÎNTREȚINERE**



*Înainte de curățare și întreținere, opriți alimentarea electrică a mașinii și deconectați fișa cablului de alimentare de la priza de rețea.*



- Curățați periodic carcasa cu o cârpă moale.
- Curățați deschiderile pentru ventilare de praf și murdărie. Dacă este necesar, utilizați o cârpă umedă pentru a îndepărta praful și murdăria din deschiderile pentru ventilare.
- Curățați periodic discurile tăietoare pentru a evita impreciziile în timpul utilizării.

### Verificarea și înlocuirea periiilor de cărbune (fig. A)

Periile de cărbune trebuie verificate periodic. Dacă periile de cărbune sunt uzate, mașina funcționează neuniform.



*Utilizați numai tipul corect de perii de cărbune.*

- Utilizând o șurubelniță, scoateți suporturile periiilor de cărbune (16).
- Curățați periile de cărbune.
- În cazul în care sunt uzate, înlocuiți ambele perii de cărbune.
- Utilizând o șurubelniță, montați suporturile periiilor de cărbune (16).
- După ce montați periile de cărbune noi, lăsați mașina să funcționeze în gol timp de 15 minute.

## GARANȚIE

Consultați termenii garanției incluse.

## MEDIU

### Scoaterea din uz



Produsul, accesoriile și ambalajul trebuie sortate pentru reciclare ecologică.

### Nu numai pentru țările din CE

Nu aruncați echipamentele acționate electric împreună cu gunoii menajer. Conform Indicației europene 2002/96/CE pentru echipamente electrice și electronice uzate și a implementării sale la nivel național, echipamentele acționate electric scoase din uz trebuie colectate separat și evacuate într-o manieră ecologică.

Produsul și manualul de utilizare pot suferi modificări. Specificațiile se pot modifica fără notificare.

## GLODALICA ZA UTORE WSM1008

Zahvaljujemo na kupnji ovog Ferm proizvoda. Njime ste si osigurali izvrsnan proizvod koji vam pruža jedan od europskih vodećih dobavljača. Svi proizvodi koje Vam je isporučio Ferm proizvedeni su prema najvišim izvedbenim i sigurnosnim standardima. Kao dio naše filozofije također pružamo izvrsnu podršku klijentima, koji podržava naše opsežno jamstvo. Nadamo se da ćete uživati u korištenju ovog proizvoda još mnogo godina.

## SIGURNOSNA UPOZORENJA



### UPOZORENJE

*Pročitajte priložene sigurnosne upute, dodatna sigurnosna upozorenja i upute. Propustite li slijediti sigurnosne upute, to može dovesti do strujnog udara, požara i/ili ozbiljnih ozljeda. Sigurnosna upozorenja i upute zadržite kao buduću referencu.*

U uputama za korištenje ili na proizvodu se koriste slijedeći simboli:



*Pročitajte upute za korištenje.*



*Rizik od ozljeda.*



*Rizik od strujnog udara.*



*Odmah uklonite strujni utikač iz glavnog strujnog voda u slučaju da se kabel ošteti ili za vrijeme čišćenja i održavanja.*



*Nosite zaštitne naočale. Nosite štitnike za uši.*



*Nosite zaštitu od prašine.*



*Oprez: Laserke zrake! Nemojte gledati izravno u lasersku zraku. Lasersku zraku nemojte usmjeravati u ljude ili životinje.*



*Rizik od letećih predmeta. Promatrače udaljite s radnog prostora.*



*Dvostruko izolirano.*



*Proizvod ne odbacujte u neodgovarajuće kontejnere.*



*Ovaj proizvod je u skladu sa primjenjivim sigurnosnim standardima u sklopu europskih direktiva.*

## **DODATNA SIGURNOSNA UPOZORENJA ZA GLODALICU ZA UTORE**

- Nemojte raditi s materijalima koji sadrže azbest. Azbest se smatra kancerogenim.
- Nosite sigurnosne naočale, štitičke za uši i ukoliko je potrebno, druga zaštitna sredstva, kao što su rukavice, zaštitne cipele itd.
- Prije upotrebe, uklonite sve čavle i druge metalne objekte iz zida.
- Čuvajte se skrivenih cijevi i žica kad režete utore u zidovima.
- Stroj uvijek držite s obje ruke.
- Nemojte koristiti stroj bez štitička.
- Pregledajte diskove za rezanje prije svake upotrebe. Nemojte koristiti diskove za rezanje koji su svinuti, napuknuti ili drugačije oštećeni.
- Pripazite da su diskovi za rezanje pravilno postavljeni.
- Pobrinite se da se diskovi za rezanje okreću u pravilnom smjeru.
- Nemojte koristiti stroj na način da diskove za rezanje postavite prema gore ili u stranu.
- Koristite samo diskove za rezanje koji su pogodni za upotrebu sa strojem.
- Koristite diskove za rezanje sa odgovarajućim dimenzijama.
- Nemojte koristiti drugu dodatnu opremu osim diskova za rezanje.
- Nemojte koristiti stroj kada maksimalna potrebna dubina utora prelazi maksimalnu dubinu diskova za rezanje.
- Pripazite da rukama ne dodirujete dijelove koji se okreću.
- Uvijek radite u pravilnom smjeru rada (vidi naznaku na dnu).
- Dozvolite da stoj radi bez opterećenja u sigurnom području nakon postavljanja diskova za rezanje. Ako stroj snažno vibrira, odmah isključite stroj, uklonite strujni utikač iz glavnog voda i pokušajte riješiti problem.
- Imajte na umu da se diskovi za rezanje okreću neko vrijeme nakon isključivanja stroja. Nemojte pokušavati sami zaustaviti diskove za rezanje.
- Nikada nemojte stroj položiti na stol ili radnu klupu prije nego što ga isključite.

## **Odbacivanje**

Odbacivanje je kretanje diskova za rezanje prema gore i unatrag kada diskovi neočekivano dotaknu objekt. Držite stroj čvrsto objema rukama tijekom upotrebe. Pažnju usmjerite na radnju.

Odbijanje obično uzrokuje:

- nenamjerno dodirivanje tvrdih objekata ili materijala sa rotirajućim diskovima za rezanje;
- tupi diskovi za rezanje;
- diskovi za rezanje koji nisu pravilno postavljeni;
- rezanje u već postojeći rez;
- manjak pažnje prema radu;
- nestabilan stav.

## **DODATNA SIGURNOSNA UPOZORENJA ZA LASERE**

- Nemojte gledati izravno u lasersku zraku.
- Lasersku zraku nemojte usmjeravati u ljude ili životinje.
- Lasersku zraku nemojte usmjeravati u jako reflektirajući materijal.
- Nemojte umetati tvrde predmete u optiku lasera.
- Optiku na laseru očistite pomoću meke, suhe četke.
- Neka kvalificirani tehničar popravi laser.

## **SIGURNOST OD ELEKTRIČNOG UDARA**



*Uvijek provjerite da li voltaža dotoka struje odgovara voltaži označenoj na pločici.*

- Nemojte koristiti stroj ako je strujni kabel ili utikač oštećen.
- Koristite samo one produžne kablove koji su pogodni za snagu ovog stroja sa minimalnom debljinom od 1,5 mm<sup>2</sup>. Ako koristite produžni kabel na kotaču, kabel uvijek u potpunosti odmotajte.

**TEHNIČKI PODACI**

<b>WSM1008</b>	
Voltaža glavnog strujnog voda	V~ 230
Frekvencija glavnog strujnog voda	Hz 50
Ulaz za struju	W 1.600
Brzina bez opterećenja	min <sup>-1</sup> 6.000
Širina utora	mm 8 - 30
Dubina utora	mm 8 - 40
Disk za rezanje	
Promjer	mm 150
Svrdo	mm 22,2
Razred zaštite	IP 20
Težina	kg 6,8

**BUKA I VIBRACIJE**

<b>WSM1008</b>	
Zvučni tlak (Lpa)	dB(A) 98,8
Akustična snaga (Lwa)	dB(A) 109,8
Nesigurnost (K)	dB(A) 3
Vibracija (glavni hvat)	m/s <sup>2</sup> 3,74
Vibracija (pomoćni hvat)	m/s <sup>2</sup> 3,50
Nesigurnost (K)	m/s <sup>2</sup> 1,5



Nosite štitnike za uši.

**Razina vibracija**

Razina emitiranja vibracija navedena na poleđini ovog naputka za uporabu izmjerena je sukladno normiranom testu danom u EN 60745; ona se može koristiti za usporedbu jedne alatke s drugom, te preliminarnu procjenu izloženosti vibracijama pri uporabi alatke za navedene namjene

- uporaba ove alatke za druge namjene ili s drugim ili slabo održanim nastavcima, može u značajnoj mjeri uvećati razinu izloženosti
- vrijeme tokom kojega je alatka isključena, ili je uključena ali se njome ne radi, može značajno umanjiti razinu izloženosti

Zaštiti se od posljedica vibracija održavanjem alatke i njezinih nastavaka, održavanjem Vaših ruku toplima, te organiziranjem Vaših obrazaca rada

**OPIS (SL. A)**

Vaša glodalica za uture osmišljena je za pravljenje utora u zidanim objektima. Stroj je pogodan samo za dešnjake.

1. Prekidač za uključivanje/isključivanje
2. Tipka za zaključavanje
3. Poluga za zaključavanje dubine utora
4. Skala za dubinu utora
5. Zaustavljač dubine
6. Tipka za zaključavanje vratila
7. Čuvar
8. Uklj/Isklj tipka za laser
9. Laser
10. Indikator opterećenja
11. Baza
12. Zupčanik (4x)
13. Spoj za izbacivanje prašine
14. Glavni hvat
15. Pomoćni hvat
16. Držač za carbon četku

**SASTAVLJANJE**

Prije sastavljanja, uvijek isključite stroj i uklonite strujni utikač iz glavnog voda.

**Zamjena diskova za rezanje (sl. B)**

Istrošeni ili oštećeni diskovi za rezanje moraju se odmah zamijeniti.



- Koristite samo oštre i neoštećene diskove za rezanje.
- Uvijek zamijenite oba diska za rezanje u isto vrijeme.
- Nikada ne pokušavajte ukloniti štitnik.
- Tipku za zaključavanje vratila (6) pritisnite kako biste zaključali vratilo (17).
- Prirubnicu (18) otpustite pomoću ključa za prirubnicu (19).
- Uklonite stari disk za rezanje (20), fiksatore (21), stari disk za rezanje (22), unutarnju prirubnicu (23). Ako je potrebno, koristite klin za razdvajanje (24) za uklanjanje razmaka (21).
- Ako je potrebno, očistite prirubnice (18 & 23).
- Postavite unutarnju prirubnicu (23), novi disk za rezanje (22), fiksatore (21) i novi disk za rezanje (20).
- Vanjsku prirubnicu (18) čvrsto zategnite pomoću ključa za prirubnicu (19).
- Otpustite tipku za zaključavanje vrtila (6).

## UPOTREBA

### Postavljanje širine utora (sl. C)

Širina utora se može postaviti pomoću razmaknica između diskova za rezanje. Broj razmaknica između diskova za rezanje određuje širinu utora.



- Širinu utora nemojte postavljati tijekom upotrebe.
- Uvijek postavite barem jednu razmaknicu između diskova za rezanje.
  - Odredite širinu utora.
  - Potrebnu količinu razmaknica (21) postavite između diskova za rezanje (20 & 22). Pogledajte poglavlje "Zamjena diskova za rezanje".

### Postavljanje zaustavljača za dubinu (sl. A & B)

Zaustavljač za dubinu ograničava maksimalnu dubinu tijekom upotrebe kako bi se spriječilo da stroj preduboko urezuje u zid. Dubina utora se može pročitati iz skale (4).



*Točku zaustavljanja utora nemojte postavljati tijekom upotrebe.*

- Lagano podignite zaustavljač dubine (5) iz štitičnika (7).
- Zaustavljač dubine (5) postavite na tražen položaj.
- Otpustite zaustavljač za dubinu (5) kako bi ga zaustavili u točnom položaju.

### Postavljanje zaustavljača za dubinu (sl. A & E)

Dubina utora varira između 0 i 40 mm. Dubina utora se može pročitati iz skale (4).



*Dubinu utora nemojte postavljati tijekom upotrebe.*

- Otpuštanje poluge za zaključavanje (3).
- Bazu nagnite (11) u potreban položaj.
- Otpuštanje poluge za zaključavanje (3).

### Isključivanje i uključivanje (sl. A)

- Za uključivanje stroja, tipku za zaključavanje (2) držite pritisnutom i istovremeno pritisnite prekidač za uključivanje/isključivanje (1).
- Za isključivanje stroja, otpustite prekidač za uključivanje/isključivanje (1).

### Korištenje lasera (sl. A).

Laser se koristi za procjenu reza na zidu.

- Za isključivanje lasera (9), pritisnite prekidač za uključivanje/isključivanje (8).
- Za isključivanje lasera (9), pritisnite prekidač za uključivanje/isključivanje (8).

### Indikator opterećenja (sl. A)

Indikator preopterećenja (10) označava da li je stroj preopterećen.

- Ako je stroj uključen, indikator preopterećenosti (10) zasvijetli zeleno 3 puta.
- Ako je svijetlo indikatora preopterećenja zeleno (10), stroj nije preopterećen. Stroj se može koristiti normalno.
- Ako svjetlo indikatora preopterećenja zasvijetli crveno (10), stroj nije preopterećen. Upotrijebite manji pritisak na stroj.
- Ako je svjetlo indikatora preopterećenja crveno (10), stroj je u potpunosti preopterećen. Stroj će se isključiti.

### Izbacivanje prašine (sl. F)

Stroj koristite samo kada je spojen na uređaj za usisavanje koji je odobren za kamenu prašinu.

Stroj za usisavanje mora biti podoban za materijal na kome se radi. Koristite poseban stroj za usisavanje pri radu s toksičnim materijalima ili kada nastaje toksična prašina.



- Nikada nemojte koristiti kućanski usisavač. Upotreba kućanskog usisavača lako može oštetiti vaše zdravlje i usisavač.
- Uvijek koristite adaptor za izbacivač prašine.
- Pripazite je li cijev uređaja za usisavač sigurno spojena na adaptor izbacivača prašine.
- Ako se uređaj za usisavanje pokvari, odmah zaustavite rad, isključite stroj, uklonite utikač iz glavnog strujnog voda i pokušajte riješiti problem.
- Umetnite adaptor za izbacivač prašine (25) u spoj za izbacivač prašine (13).
- Adaptor za izbacivač prašine (25) zategnite u smjeru kazaljke na satu dok se ne osigura na mjestu.
- Cijev usisavača spojite na adaptor za izbacivač prašine (25).

### Savjeti za optimalnu upotrebu

- Povucite linije kako biste definirali smjer u kojem treba navoditi diskove za rezanje.
- Stroj držite s obje ruke.
- Odredite širinu utora.

- Odredite točku za zaustavljanje utora.
- Poduzmite jedan od sljedećih koraka:
  - Stroj spustite na zid i postavite dubinu utora (preporučeno). Stroj je postavljen nasuprot zida i diskovi za rezanje se spuštaju u zid kako bi se dubina utora što točnije odredila.
  - Postavite dubinu utora i spustite stoj na zid.
- Stroj postavite s kotačićima na zid. Pripazite da se diskovi za rezanje poravnaju sa linijama ucrtanim na zidu.
- Odredite dubinu utora.
- Uključite stroj.
- Pričekajte dok stroj ne dosegne punu brzinu.
- Polako pomaknite stroj uz unaprijed određene linije, čvrsto pritiskajući zupčanike na zid.
- Nemojte koristiti prevelik pritisak na stroj. Dozvolite da stroj obavi svoj posao.
- Isključite stroj i pričekajte da se stroj u potpunosti zaustavi prije no što ćete ga položiti.

## JAMSTVO

Pročitajte priložene uvjete jamstva.

## OKOLIS

### Odlaganje



Proizvod, dodatna oprema i pakiranje moraju biti odvojeni za ekološki prihvatljivo odlaganje.

### Samo za zemlje Europske unije.

Alate nemojte odlagati u kućanski otpad. Prema europskim smjernicama 2002/96/EC za otpadnu električnu i elektroničku opremu i njihovoj primjeni i državnom zakonodavstvu, radni alati koji se više ne koriste moraju se odvojeno sakupiti i odložiti na ekološki prihvatljiv način.

Proizvod i korisnični priručnik su podložni promjenama. Specifikacije se mogu promijeniti bez upozorenja.

## ČIŠĆENJE I ODRŽAVANJE



*Prije čišćenja i održavanja, uvijek isključite stroj i uklonite strujni utikač iz glavnog voda.*

- Redovno čistite kućište mekom krpicom.
- Ventilacijske otore držite čistima i bez prašine. Ako je potrebno, uzmite meku, vlažnu krpicu za uklanjanje prašine i prljavštine iz ventilacijskih utora.
- Redovno čistite diskove za rezanje kako biste izbjegli neispravno korištenje.

### Provjera i zamjena carbon četki (sl. A)

Carbon četke se moraju redovno provjeravati. Ako su četke istrošene, stroj će početi raditi nejednako.



*Koristite samo odgovarajući tip carbon četki.*

- Uklonite držače carbon četki (16) pomoću odvijača.
- Očistite ugljikove četke.
- U slučaju istrošenosti, zamijenite carbon četke u isto vrijeme.
- Postavite držače carbon četki (16) pomoću odvijača.
- Nakon postavljanja novih carbon četki, pustite da stroj radi bez tereta 15 minuta.

## VERTIKALNA DUBILICA WSM1008

Zahvaljujemo se na kupovini ovog proizvoda. Nabavili ste odličan proizvod od jednog od najvećih evropskih dobavljača.

Svi proizvodi koje vam isporuči kompanije Ferm napravljeni su po najvišim standardima vezanim za njihov rad i bezbednost. Naša politika je i da pružamo odličnu uslugu korisnicima, za šta je dokaz i sveobuhvatna garancija koju dajemo. Nadamo se da ćete uživati u korišćenju ovog proizvoda mnogo godina.

### BEZBEDNOSNA UPOZORENJA



#### UPOZORENJE

Pročitajte priložena bezbednosna upozorenja, dodatna bezbednosna upozorenja i uputstva.

Ukoliko se ne pridržavate bezbednosnih upozorenja i uputstava, možete izazvati električni udar, požar i/ili ozbiljne povrede.

Sačuvajte bezbednosna upozorenja i uputstva i za slučaj potrebe.

U priručniku za korisnike ili na proizvodu korišćeni su sledeći simboli:



Pročitajte priručnik za korisnike.



Rizik od povrede.



Rizik od strujnog udara.



Odmah iskopčajte kabl za napajanje iz utičnice ukoliko se kabl za napajanje ošteti, kao i prilikom čišćenja i održavanja.



Nosite zaštitne naočari.  
Nosite štitičke za uši.



Nosite zaštitnu masku za nos.



Oprez: Laserski zraci! Nemojte da gledate direktno u laserske zrake. Nemojte da usmeravate laserske zrak ka ljudima ili životinjama.



Rizik od letećih delova.  
Ne dozvoljavajte da prolaznicima da budu u blizini u toku rada.



Dvostruka izolacija.



Nemojte bacati ovaj proizvod u neodgovarajuće kante za otpad.



Proizvod je u skladu sa važećim bezbednosnim standardima evropskih direktiva.

### DODATNA BEZBEDNOSNA UPOZORENJA ZA VERTIKALNE DUBILICE

- Nemojte da obrađujete koji sadrže azbest. Smatra se da se azbest kancerogen.
- Nosite zaštitne naočari, štitičke za uši i, ako je potrebno, druga zaštitna sredstva, kao što su zaštitne rukavice, cipele itd.
- Pre upotrebe uklonite sve eksere i metalne predmete sa zida.
- Vodite računa o skrivenim cevima i žicama kada sečete delove zida.
- Uređaj uvek držite sa obe ruke.
- Nemojte da koristite ovaj uređaj bez štitičke.
- Pre svake upotrebe pregledajte diskove za sečenje. Nemojte da koristite diskove za sečenje ako su savijeni, naprsli ili oštećeni.
- Proverite da li su diskovi za sečenje pravilno namontirani.
- Proverite da li se diskovi za sečenje okreću u dobrom smeru.
- Prilikom korišćenja ovog uređaja, diskovi za sečenje ne treba da budu okrenuti nagore ili u stranu.
- Koristite samo one diskove za sečenje koji su predviđeni za ovaj uređaj.
- Koristite samo one diskove za sečenje koji su odgovarajućih dimenzija.
- Nemojte da koristite nijednu drugu dodatnu opremu osim diskova za sečenje.
- Nemojte da koristite ovaj uređaj ako je najveća željena dubina sečenja veća od najveće dubine sečenja diskova za sečenje.
- Vodite računa da ne dodirujete rotirajuće delove rukama.
- Tokom rada uvek vršite pomeranje u pravilnom smeru (pogledajte znak na postolju).
- Kada postavite namontirate diskove za sečenje, ostavite uređaj da radi bez opterećenja na bezbednom mestu. Ako uređaj jako vibrira, odmah gasključite, iskopčajte kabl za napajanje iz utičnice i pokušajte da rešite problem.

- Imajte na umu da diskovi za sečenje nastavljaju da se okreću još neko vreme nakon isključivanja uređaja. Nemojte pokušavati da diskovi za sečenje sami zaustave.
- Nikada nemojte da stavljate uređaj na sto ili radnu površinu pre nego što ga isključite.

### Povratni impuls

Povratni impuls je pomeranje diskova za sečenje nagore i nadole kada iznenada dodirnu neki predmet. Čvrsto držite uređaj obema rukama prilikom rada.

Budite skoncentrisani na ono što radite.

Do povratnog impulsa obično dolazi usled:

- slučajnog dodira čvrstih predmeta ili materijala i rotirajućih diskova za sečenje;
- tupih diskova za sečenje;
- pogrešno namontiranih diskova za sečenje;
- sečenjem već isečenog dela;
- nepažljivog rada;
- nestabilne podloge.

### DODATNA BEZBEDNOSNA UPOZORENJA ZA LASERE

- Nemojte da gledate direktno u laserske zrake.
- Nemojte da usmeravate laserske zrak ka ljudima ili životinjama.
- Nemojte da usmeravate laserski zrak u materijal sa jakim refleksijom.
- Nemojte da stavljate čvrste predmete u sočivo lasera.
- Sočivo lasera čistite mekom, suvom četkicom.
- Laser može da popravlja samo kvalifikovani tehničar.

### BEZBEDNOST SA STRUJOM



*Uvek proverite da li napon struje odgovara naponu koji je naveden na tipskoj pločici.*

- Nemojte da koristite uređaj ako su kabl za napajanje je ili utičnica oštećeni.
- Koristite samo one produžne kablove koji su odgovarajući za napon uređaja debljine najmanje 1,5 mm<sup>2</sup>. Ako koristite produžni kabl sa kotura, uvek potpuno odmotajte kabl.

### TEHNIČKI PODACI

#### WSM1008

Napon električne mreže	V~	230
Frekvencija električne mreže	Hz	50
Ulazna snaga	W	1.600
Brzina bez opterećenja	min <sup>-1</sup>	6.000
Širina proreza	mm	8 - 30
Dubina proreza	mm	8 - 40
Disk za sečenje		
Prečnik	mm	150
Provrst	mm	22,2
Klasa zaštite		IP 20
Težina	kg	6,8

### BUKA I VIBRACIJA

#### WSM1008

Pritisak zvuka (Lpa)	dB(A)	98,8
Jačina zvuka (Lwa)	dB(A)	109,8
Neizvesnost (K)	dB(A)	3
Vibracija (glavna ručica)	m/s <sup>2</sup>	3,74
Vibracija (pomoćna ručica)	m/s <sup>2</sup>	3,50
Neizvesnost (K)	m/s <sup>2</sup>	1,5



*Nosite štitičke za uši.*

### Nivo vibracija

Nivo emisije vibracija naznačen na poleđini ovog uputstva za upotrebu izmeren je u skladu sa standardizovanim testom datim u EN 60745; on se može koristiti za upoređenje jedne alatke sa drugom, kao i za preliminarnu procenu izloženosti vibracijama pri korišćenju ove alatke za pomenute namene

- korišćenje alatke u drugačije svrhe ili sa drugačijim ili slabo održanim nastavcima može značajno povećati nivo izloženosti
- vreme kada je alatka isključena ili kada je uključena, ali se njome ne radi, može značajno smanjiti nivo izloženosti

Zaštite se od posledica vibracija održavanjem alatke i njenih nastavaka, održavajući Vaše ruke toplim i organizovanjem Vaših radnih obrazaca

## OPIS (SL. A)

Vaša vertikalna dubilica je napravljena za pravljenje proreza tokom zidarskih radova. Uređaj je pogodan samo za korišćenje desnom rukom.

1. Prekidač za uključivanje/isključivanje
2. Dugme za zaključavanje
3. Poluga za zaključavanje određene dubine proreza
4. Skala za dubinu proreza
5. Graničnik za dubinu
6. Dugme za zaključavanje osovine
7. Štitnik
8. Prekidač za uključivanje/isključivanje lasera
9. Laser
10. Indikator prevelikog opterećenja
11. Postolje
12. Točak (4x)
13. Nastavak za prikupljanje prašine
14. Glavna ručica
15. Pomoćna ručica
16. Držač grafitne četkice

## MONTAŽA



*Pre montaže uvek isključite uređaj i iskopčajte kabl za napajanje iz utičnice.*

### Zamena diskova za sečenje (sl. B)

Pohabane ili oštećene diskove za sečenje morate odmah da zamenite.



- Koristite samo oštre i neoštećene diskove za sečenje.
- Uvek menjajte oba diska za sečenje istovremeno.
- Nikada nemojte pokušavati da uklonite štitnik.
- Pritisnite i zadržite dugme za zaključavanje osovine (6) da zaključate osovinu (17).
- Olabavite spoljni naglavak (18) pomoću ključa za naglavke (19).
- Uklonite stari disk za sečenje (20), odstoje prstenove (21), stari disk za sečenje (22) i unutrašnji naglavak (23). Ako je potrebno, koristite klin za rasecanje (24) da biste uklonili odstoje prstenove (21).
- Ako je potrebno, očistite naglavke (18 & 23).
- Namontirajte unutrašnji naglavak (23), novi disk za sečenje (22), odstoje prstenove (21) i novi disk za sečenje (20).

- Čvrsto pritegnite spoljni naglavak (18) pomoću ključa za naglavke (19).
- Olabavite dugme za zaključavanje osovine (6).

## UPOTREBA

### Podešavanje širine proreza (sl. C)

Širinu prorez možete podesiti stavljanjem odstoynih prstenova između diskova za sečenje. Broj odstoynih prstenova između diskova za sečenje određuje širinu proreza.



- Nemojte da podešavate širinu proreza u toku rada.
- Uvek postavite najmanje po jedan odstoyni prsten između diskova za sečenje.
- Odredite širinu proreza.
- Postavite potrebnu količinu odstoynih prstenova (21) između diskova za sečenje (20 & 22). Pogledajte poglavlje "Zamena diskova za sečenje".

### Podešavanje graničnika za dubinu (sl. A & D)

Graničnik za dubinu ograničava najveću dubinu proreza u toku rada da uređaj ne bi pravio previše duboki prorez u zidu. Dubina proreza može da se očitata na skali (4).



*Nemojte da podešavate graničnik za dubinu u toku rada.*

- Lagano podignite graničnik za dubinu (5) sa štitnika (7).
- Podesite graničnik za dubinu (5) u željeni položaj.
- Olabavite graničnik za dubinu (5) da biste ga pričvrstili u odgovarajući položaj.

### Podešavanje dubine proreza

#### (sl. A & E)

Dubina proreza je između 0 i 40 mm. Dubinu proreza možete očitati sa skale (4).



*Nemojte da podešavate dubinu proreza u toku rada.*

- Olabavite polugu za zaključavanje (3).
- Nagnite postolje (11) u željeni položaj.
- Pritegnite polugu za zaključavanje (3).



### Uključivanje i isključivanje (sl. A)

- Da biste uključili uređaj, pritisnite i zadržite dugme za zaključavanje (2) i istovremeno pritisnite prekidač za uključivanje/isključivanje (1).
- Da biste isključili uređaj, otpustite prekidač za uključivanje/isključivanje (1).

### Korišćenje lasera (sl. A)

Laser se koristi za projekciju proreza na zidu.

- Da biste isključili laser (9), pritisnite prekidač za uključivanje/isključivanje (8).
- Da biste uključili laser (9), otpustite prekidač za uključivanje/isključivanje (8).

### Indikator prevelikog opterećenja (sl. A)

Indikator prevelikog opterećenja (10) pokazuje da li je uređaj pod prevelikim opterećenjem.

- Ako je uređaj uključen, indikator prevelikog opterećenja (10) triput zatreperi zeleno.
- Ako indikator prevelikog opterećenja (10) svetli zeleno, uređaj nije pod prevelikim opterećenjem. Možete ga normalno koristiti.
- Ako indikator prevelikog opterećenja (10) treperi crveno, uređaj je pod velikim opterećenjem. Vršite manji pritisak na njega.
- Ako indikator prevelikog opterećenja (10) svetli crveno, uređaj je pod prevelikim opterećenjem. Uređaj će se isključiti.

### Uklanjanje prašine (sl. F)

Uređaj koristite samo ako je ona povezana sa uređajem za usisavanje koji je predviđen za kamenu prašinu. Uređaj za usisavanje mora biti predviđen za materijal koji ćete obrađivati. Koristite posebni uređaj za usisavanje kada radite sa toksičnim materijalima ili kada se stvara toksična prašina.



- Nikada nemojte da koristite usisivač za kućnu upotrebu. Ako koristite kućni usisivač, lako možete da ugrozite i svoje zdravlje i usisivač.
- Uvek koristite adapter za uklanjanje prašine.
- Proverite da li je crevo uređaja za usisavanje čvrsto pritegnuto na adapter za uklanjanje prašine.
- Ako se uređaj za usisavanje pokvari, odmah prestanite sa radom, isključite uređaj, iskopčajte kabl za napajanje iz utičnice i pokušajte da rešite problem.
- Umetnite adapter za uklanjanje prašine (25) u priključak za uklanjanje prašine (13).

- Pričvrstite adapter za uklanjanje prašine (25) okretanjem u pravcu kazaljke na satu dok ne bude pričvršćen u odgovarajućem položaju
- Umetnite crevo uređaja za usisavanje u adapter za uklanjanje prašine (25).

### Saveti za optimalnu upotrebu

- Nacrtajte linije kako biste odredili smer u kome ćete usmeravati diskove za sečenje.
- Držite uređaj obema rukama.
- Odredite širinu proreza.
- Podesite graničnik za dubinu.
- Preduzmite neki od ovih koraka:
  - Položite uređaj na zid i podesite dubinu proreza (preporučljivo). Uređaj je prislonjen na zid, a diskovi za sečenje se spuštaju u zid da bi se preciznije podesila dubina proreza.
  - Podesite dubinu proreza i prislonite uređaj na zid.
- Postavite uređaj sa točkovima prislonjenim na zid. Proverite da li diskovi za sečenje prate linije nacrtane na zidu.
- Odredite dubinu proreza.
- Uključite uređaj.
- Sačekajte da uređaj dostigne punu brzinu.
- Polako pomerajte uređaj po nacrtanim linijama, čvrsto pritiskajući točkove na zid.
- Nemojte previše da pritiskate uređaj. Pustite ga da sam radi.
- Isključite uređaj i sačekajte da potpuno prestane sa radom pre nego što ga spustite na zemlju.

## ČIŠĆENJE I ODRŽAVANJE



*Pre čišćenja i održavanja, uvek isključite uređaj i iskopčajte kabl za napajanje iz utičnice.*

- Redovno čistite kućište mekom krpom.
- Ventilacione otvore čistite od prašine i prljavštine. Ako je potrebno, koristite meku, vlažnu krpom za uklanjanje prašine i prljavštine sa ventilacionih otvora.
- Redovno čistite diskove za sečenje da biste izbegli nepravilnosti u sečenju u toku rada.

### Provera i zamena grafitnih četkica (sl. A)

Grafitne četkice morate redovno proveravati. Ako se grafitne četkice pohabaju, uređaj će početi neravnomerno da radi.



*Koristite samo odgovarajuću vrstu grafitnih četkica.*

- Уклоните дрžače grafitnih četkica (16) pomoću odvijača.
- Očistite grafitne četkice.
- Ako su pohabane, zamenite obe grafitne četkice istovremeno.
- Namontirajte дрžače grafitnih četkica (16) pomoću odvijača.
- Kada namontirate nove grafitne četkice, ostavite uređaj da radi bez opterećenja 15 minuta.

## GARANCIJA

Pročitajte priložene uslove garancije.

## OKOLINA

### Odlaganje u otpad



Proizvod, dodatni pribor i pakovanje morate sortirati radi reciklaže.

### Samo za zemlje članice Evropske Unije

Alat za napajanje nemojte da bacate kao kućni otpad. Po Evropskoj smernici 2002/96/EC za odlaganje električne i elektronske opreme i njenoj primeni u državnom pravu, alat za napajanje koji se više ne koristi mora da se odvoji i da se odloži u otpad na odgovarajući način.

Proizvod i priručnik za korisnike su podložni izmenama. Specifikacije je moguće promeniti bez prethodne najave.

## МАШИНА ДЛЯ ВЫРУБКИ ПАЗОВ В СТЕНАХ WSM1008

Благодарим вас за приобретение данного изделия Ferm.

Теперь есть великолепный инструмент от одного из ведущих европейских поставщиков. Все изделия, которые поставляет вам Ferm, изготовлены в соответствии с высочайшими стандартами в отношении производительности и безопасности. Кроме того, мы предлагаем превосходное обслуживание заказчиков, которое поддерживается нашей комплексной гарантией - это часть нашей философии. Мы надеемся, что вы будете получать удовольствие от работы с этим инструментом в течение многих лет.

## ПРЕДУПРЕЖДЕНИЯ ПО БЕЗОПАСНОМУ ИСПОЛЬЗОВАНИЮ



### ПРЕДУПРЕЖДЕНИЕ

*Прочтите прилагаемые предупреждения по безопасному использованию, дополнительные предупреждения и инструкции. Несоблюдение предупреждений по безопасному использованию и инструкций может привести к поражению электрическим током, возгоранию и/или серьезной травме. Сохраните предупреждения по безопасному использованию и инструкции для обращения к ним в будущем.*

В руководстве или на изделии присутствуют следующие значки:



*Прочитайте руководство пользователя.*



*Риск получения травмы.*



*Риск поражения электрическим током.*



При повреждении сетевого шнура, а также при проведении чистки и технического обслуживания немедленно извлеките вилку сетевого шнура из розетки.



Надевайте защитные очки. Надевайте средства защиты органов слуха.



Надевайте пылезащитную маску.



Осторожно: Лазерный луч! Не смотрите прямо на лазерный луч. Не направляйте лазерный луч на людей или животных.



Риск получения травмы от летящих предметов. Держите посторонних подальше от места проведения работ.



Двойная изоляция.



Не выбрасывайте изделие в контейнеры, которые для этого не предназначены.



Изделие отвечает требованиям соответствующих стандартов по безопасности, изложенных в директивах ЕС.

## ДОПОЛНИТЕЛЬНЫЕ МЕРЫ ПРЕДОСТОРОЖНОСТИ ДЛЯ МАШИН ДЛЯ ВЫРУБКИ ПАЗОВ В СТЕНАХ

- Не работайте с материалами содержащими асбест. Асбест считается канцерогенным.
- Используйте защитные очки, средства защиты органов слуха и, при необходимости, другие средства индивидуальной защиты, например защитные перчатки, защитную обувь и т.д.
- Перед использованием машины извлеките все гвозди и другие металлические предметы из стены.
- Примите к сведению расположение скрытых трубопроводов электропроводки при вырубке пазов в стенах.
- Всегда держите машину двумя руками.
- Не пользуйтесь машиной без защитного кожуха.

- Перед каждым использованием проверяйте состояние отрезных дисков. Не пользуйтесь погнутыми отрезными дисками, дисками с трещинами или дисками имеющими какие-либо иные повреждения.
- Проверьте, чтобы отрезные диски были установлены должным образом.
- Проверьте, чтобы отрезные диски вращались в правильном направлении.
- Не пользуйтесь машиной если отрезные диски направлены вверх или в сторону.
- Используйте только отрезные диски пригодные для данной машины.
- Используйте отрезные диски должных размеров.
- Не пользуйтесь какими-либо иными принадлежностями кроме отрезных дисков.
- Не пользуйтесь машиной если необходимо вырезать паз, глубина которого превышает максимальную глубину, на которую рассчитаны отрезные диски.
- Проверьте, чтобы ваши руки не соприкасались с вращающимися деталями.
- Всегда перемещайте машину в должном направлении (см. индикатор на подошве).
- После установки отрезных дисков запустите машину на некоторое время на холостом ходу в безопасном месте. Если наблюдается сильная вибрация, немедленно выключите машину, извлеките вилку сетевого шнура из розетки и попытайтесь решить проблему.
- Примите к сведению, что после выключения машины отрезные диски продолжают вращаться в течение некоторого времени. Не пытайтесь остановить отрезные диски самостоятельно.
- Не ставьте включенную машину на стол или верстак.

### Отдача

Отдача - это движение отрезных дисков вверх и назад в момент когда они неожиданно сталкиваются с предметом. Во время использования крепко держите машину двумя руками. Сконцентрируйтесь на выполняемой работе.

К отдаче обычно приводит:

- непреднамеренное касание режущими отрезными дисками твердых предметов или материалов;
- тупые отрезные диски;
- неправильно установленные отрезные диски;

- врезка в ранее сделанный вырез;
- недостаточная сосредоточенность во время работы;
- неустойчивое положение ног.

### ДОПОЛНИТЕЛЬНЫЕ МЕРЫ ПРЕДОСТОРОЖНОСТИ ДЛЯ ЛАЗЕРОВ

- Не смотрите прямо на лазерный луч.
- Не направляйте лазерный луч на людей или животных.
- Не направляйте лазерный луч на материалы с сильной отражающей способностью.
- Не вставляйте твердые предметы в оптическую систему лазера.
- Чистите оптическую систему лазера сухой, мягкой щеткой.
- Ремонт лазера должен проводить только квалифицированный специалист.

### ЭЛЕКТРОБЕЗОПАСНОСТЬ



*Всегда проверяйте, чтобы напряжение источника питания соответствовало напряжению, указанному на паспортной табличке.*

- Не пользуйтесь машиной с поврежденным сетевым шнуром или вилкой.
- Используйте кабели удлинителей, соответствующие номинальной мощности машины, минимальная толщина кабеля 1,5 мм<sup>2</sup>. При использовании катушки кабеля удлинителя, всегда полностью разворачивайте кабель.

### ТЕХНИЧЕСКИЕ ДАННЫЕ

WSM1008	
Напряжение сети питания	B~ 230
Частота сети питания	Гц 50
Потребляемая мощность	Вт 1.600
Скорость без нагрузки	мин <sup>-1</sup> 6.000
Ширина паза	мм 8 - 30
Глубина паза	мм 8 - 40
Отрезной диск	
Диаметр	мм 150
Посадочное отверстие	мм 22,2
Класс защиты	IP 20
Вес	кг 6,8

### ШУМ И ВИБРАЦИЯ

WSM1008	
Звуковое давление (L <sub>pa</sub> )	дБ (А) 98,8
Акустическая мощность (L <sub>wa</sub> )	дБ (А) 109,8
Погрешность (K)	дБ (А) 3
Вибрация (основная рукоятка)	м/с <sup>2</sup> 3,74
Вибрация (вспомогательная рукоятка)	м/с <sup>2</sup> 3,50
Погрешность (K)	м/с <sup>2</sup> 1,5



*Надевайте средства защиты органов слуха.*

### Уровень вибрации

Уровень вибрации, указанный в конце данного руководства по эксплуатации был измерен в соответствии со стандартизированным испытанием, содержащимся в EN 60745; данная характеристика может использоваться для сравнения одного инструмента с другим, а также для предварительной оценки воздействия вибрации при использовании данного инструмента для указанных целей

- при использовании инструмента в других целях или с другими/неисправными вспомогательными приспособлениями уровень воздействия вибрации может значительно повышаться
- в периоды, когда инструмент отключен или функционирует без фактического выполнения работы, уровень воздействия вибрации может значительно снижаться

защищайте себя от воздействия вибрации, поддерживая инструмент и его вспомогательные приспособления в исправном состоянии, поддерживая руки в тепле, а также правильно организуя свой рабочий процесс

### ОПИСАНИЕ (РИС. А)

Ваша машина предназначена для вырубки пазов в каменной кладке. Машина предназначена только для пользования правойшей.

1. Выключатель вкл./выкл.
2. Кнопка блокировки
3. Фиксатор глубины паза
4. Шкала глубины паза
5. Ограничитель глубины

6. Кнопка блокировки шпинделя
7. Защитный кожух
8. Выключатель вкл./выкл. лазера
9. Лазер
10. Индикатор перегрузки
11. Подошва
12. Колесо (4x)
13. Соединение пылеотсоса
14. Основная рукоятка
15. Вспомогательная рукоятка
16. Держатель угольной щетки

установочных шайб между отрезными дисками определяет ширину паза.



- Не устанавливайте ширину паза во время работы.
- Всегда устанавливайте по меньшей мере одну установочную шайбу между отрезными дисками.
- Определите ширину паза.
- Установите требуемое количество установочных шайб (21) между отрезными дисками (20 & 22). Обратитесь к главе “Замена отрезных дисков”.

## СБОРКА



*Перед сборкой всегда выключайте машину и извлекайте вилку сетевого шнура из розетки.*

### Замена отрезных дисков (рис. В)

Изнаненные или поврежденные отрезные диски подлежат немедленной замене.



- Используйте только острые и неповрежденные отрезные диски.
- Всегда заменяйте оба отрезных диска одновременно.
- Не пытайтесь снимать защитный кожух.
- Для фиксации шпинделя (17) держите кнопку блокировки шпинделя (6) нажатой.
- Ослабьте наружный фланец (18) с помощью фланцевого ключа (19).
- Снимите старый отрезной диск (20), установочные шайбы (21), старый отрезной диск (22) и внутренний фланец (23). При необходимости используйте раскалывающий клин (24) для того, чтобы снять установочные шайбы (21).
- При необходимости вычистите фланцы (18 & 23).
- Установите внутренний фланец (23), новый отрезной диск (22), установочные шайбы (21) и новый отрезной диск (20).
- Плотно затяните наружный фланец (18) с помощью фланцевого ключа (19).
- Отпустите кнопку блокировки шпинделя (6).

### Настройка ограничителя глубины (рис. А & D)

Ограничитель глубины устанавливает максимальную глубину паза во время работы, что не позволяет машине слишком глубоко врезаться в стену. Глубину паза можно проверить по шкале (4).



*Не устанавливайте ограничитель глубины во время работы.*

- Слегка приподнимите ограничитель глубины (5) от защитного кожуха (7).
- Установите ограничитель глубины (5) в требуемое положение.
- Отпустите ограничитель глубины (5), чтобы он зафиксировался в правильном положении.

### Настройка глубины паза (рис. А & E)

Глубину паза можно менять от 0 до 40 мм. Глубину паза можно проверить по шкале (4).



*Не устанавливайте глубину паза во время работы.*

- Ослабьте фиксатор (3).
- Наклоните подошву (11) в требуемое положение.
- Затяните фиксатор (3).

### Включение и отключение (рис. А)

- Для того чтобы включить машину держите кнопку блокировки (2) нажатой и одновременно нажмите выключатель вкл./выкл. (1).
- Чтобы выключить машину отпустите выключатель вкл./выкл. (1).

## ИСПОЛЬЗОВАНИЕ

### Установка ширины паза (рис. С)

Ширину паза можно задать с помощью установочных шайб, которые устанавливаются между отрезными дисками. Количество

### Применение лазера (рис. А)

Лазер используется для проецирования линии надреза на стену.

- Чтобы выключить лазер (9) нажмите выключатель вкл./выкл. (8).
- Чтобы выключить лазер (9) отпустите выключатель вкл./выкл. (8).

### Индикатор перегрузки (рис. А)

Индикатор перегрузки (10) показывает, что машина перегружена.

- Если машина включена индикатор перегрузки (10) трижды мигнет зеленым цветом.
- Индикатор перегрузки (10) светится зеленым цветом, значит машина не перегружена. Машину можно использовать в обычном порядке.
- Если индикатор перегрузки (10) мигает красным цветом, значит машина перегружена. Ослабьте нажим на машину.
- Если индикатор перегрузки (10) горит красным цветом, значит машина полностью перегружена. В этом случае машина будет выключена.

### Пылеотсос (рис. F)

Используйте машину только если она подключена к пылесосу, который предназначен для удаления каменной пыли. Пылесос должен подходить к удалению материала, с которым вы работаете. При работе с токсичными материалами или создающими токсичную пыль пользуйтесь специальным пылесосом.



- Не пользуйтесь бытовым пылесосом. Применение бытового пылесоса может привести как к причинению вреда здоровью, так и к поломке самого пылесоса.
- Всегда используйте адаптер пылеотсоса.
- Проверьте, чтобы шланг пылесоса был надежно подключен к адаптеру пылеотсоса.
- В случае поломки пылесоса, немедленно прекратите работу, выключите машину, извлеките вилку сетевого шнура из розетки и попытайтесь решить проблему.
- Вставьте адаптер пылеотсоса (25) в соединение пылеотсоса (13).
- Затяните адаптер пылеотсоса (25), повернув его по часовой стрелке до его фиксации на месте.
- Подсоедините шланг пылесоса к адаптеру пылеотсоса (25).

### Рекомендации для оптимального использования

- Проведите линии, чтобы определить направление перемещения отрезных дисков.
- Держите машину двумя руками.
- Установите ширину паза.
- Установите глубину паза.
- Поступите следующим образом:
  - Погрузите машину в стену и установите глубину паза (рекомендуемую). Машина прижата к стене, а отрезные диски погружены в стену, это необходимо для того, чтобы более точно задать глубину паза.
  - Установите глубину паза и погрузите машину в стену.
- Установите колеса машины на стену. Проверьте, чтобы отрезные диски совпадали с линиями, проведенными на стене.
- Установите глубину паза.
- Включите машину.
- Дождитесь пока маниша достигнет полной скорости.
- Медленно смещайте машину вдоль предварительно проведенных линий, плотно прижимая колеса к стене.
- Не нажимайте на машину слишком сильно. Пусть машина работает сама.
- Выключите машину и перед тем, как опустить дождитесь ее полной остановки.

## ЧИСТКА И ТЕХНИЧЕСКОЕ ОБСЛУЖИВАНИЕ



*Перед чисткой и техническим обслуживанием всегда выключайте машину и извлекайте вилку сетевого шнура из розетки.*

- Регулярно чистите корпус сухой, мягкой тканью.
- Держите вентиляционные отверстия свободными от пыли и грязи. При необходимости используйте мягкую, влажную ткань для удаления пыли и грязи с вентиляционных отверстий.
- Во избежание неточностей во время работы регулярно чистите отрезные диски.

## Проверка и замена угольных щеток (рис. А)

Угольные щетки необходимо регулярно проверять. Если угольные щетки изношены, машина начнет работать неравномерно.



*Используйте только угольные щетки должного типа.*

- Снимите держатели угольных щеток (16) с помощью отвертки.
- Вычистите угольные щетки.
- В случае износа всегда заменяйте обе угольные щетки одновременно.
- Установите держатели угольных щеток (16) с помощью отвертки.
- После установки новых угольных щеток, запустите машину на холостом ходу примерно на 15 минут.

## ГАРАНТИЯ

Обратитесь к прилагаемым условиям гарантии.

## ОХРАНА ОКРУЖАЮЩЕЙ СРЕДЫ

### Утилизация



Данное изделие, принадлежности и упаковка подлежат сортировке для переработке, безопасной для окружающей среды.

### Только для стран ЕС

Не выбрасывайте электроинструмент вместе с бытовым мусором. В соответствии с Европейским руководством 2002/96/ЕС по "Утилизации электрического и электронного оборудования" и национальными законодательными актами электроинструмент, который больше не используется, необходимо собирать отдельно и утилизировать безопасным для окружающей среды образом.

Изделие и руководство пользователя могут быть изменены. Технические характеристики могут быть изменены без дальнейшего уведомления.

## ШТРОБОРИЗИ

### WSM1008

Дякуємо вам за купівлю продукту компанії "Ferm".

Здійснюючи купівлю, ви отримуєте відмінний товар від одного з ведучих постачальників у Європі.

Усі продукти від компанії "Ferm" виготовлені у відповідності до найвищих стандартів продуктивності та безпеки. Ми надаємо покупцю послугу найвищої якості, засвідчені гарантією на виріб у цілому. Сподіваємось, ви будете користуватися даним продуктом протягом багатьох років.

## ЗАСТЕРЕЖЕННЯ ВІДНОСНО БЕЗПЕКИ



### ЗАСТЕРЕЖЕННЯ

*Прочитайте наведені застереження відносно безпеки, додаткові застереження та рекомендації. Невиконання вказівок, наведених у застереженнях відносно безпеки та рекомендаціях, може призвести до ураження електричним струмом, пожежі та/або важкого тілесного ушкодження. Збережіть застереження відносно безпеки та рекомендації для подальшого використання.*

У посібнику користувача та на продукт застосовуються наступні символи:



*Прочитайте посібник користувача.*



*Небезпека тілесного ушкодження.*



*Небезпека ураження електричним струмом.*



*Негайно вийміть штепсель з розетки, якщо ушкоджено кабель живлення, а також під час чищення й технічного обслуговування.*



*Надягайте захисні окуляри. Надягайте засоби захисту органів слуху.*



*Користуйтеся пилозахисною маскою.*



*Обережно: Лазерне випромінювання!  
Уникайте потрапляння лазерного променя в око. Забороняється спрямовувати лазерний промінь на людей та тварин.*



*Небезпека для літаючих об'єктів.  
Спостерігачі повинні знаходитися поза робочим майданчиком.*



*Забороняється утилізувати продукт невідповідним чином.*



*Даний продукт відповідає стандартам безпеки, що застосовуються директивами ЄС.*

### **ДОДАТКОВІ ЗАСТЕРЕЖЕННЯ ВІДНОСНО БЕЗПЕКИ ПРИ РОБОТІ ЗІ ШТРОБОРИЗОМ**

- Забороняється працювати з матеріалами, що містять азбест. Азбест вважається канцерогенною речовиною.
- Надягайте захисні окуляри та засоби захисту органів слуху і, якщо необхідно, інші засоби захисту, такі як захисні рукавиці та черевики, тощо.
- Перед використанням, вийміть зі стіни усі цвяхи та інші металеві предмети.
- При прорізання пазів, майте на увазі, що в стіні можуть знаходитися приховані труби та дроти.
- Завжди утримуйте інструмент двома руками.
- Забороняється користуватись інструментом без захисних пристроїв.
- Проводьте огляд відрізнних дисків перед кожним використанням. Забороняється використовувати зігнуті, зламані або uszkodжені відрізнні диски.
- Відрізнні диски мають бути встановлені належним чином.
- Відрізнні диски мають обертатися у правильному напрямі.
- Забороняється використовувати інструмент з відрізнними дисками, розташованими догори або набік.
- Використовуйте відрізнні диски, призначені для даного інструменту.
- Використовуйте відрізнні диски належного розміру.
- Забороняється використовувати комплектуючі, відмінні від відрізнних дисків.

- Забороняється використовувати інструмент, якщо необхідна глибина пазу перевищує максимальну глибину для даних відрізнних дисків.
- Не торкайтесь руками деталей, що обертаються.
- Працюйте завжди у правильному робочому напрямку (див. вказівку на плиті основи).
- Після встановлення відрізнних дисків дайте машині попрацювати на холостих обертах у безпечному місці.  
При сильній вібрації негайно вимкніть інструмент, вийміть штепсель з розетки та спробуйте знайти причину.
- Майте на увазі, що відрізнні диски продовжують обертатись деякий час після вимкнення інструменту. Не намагайтесь самотужки зупинити відрізнні диски.
- Перш ніж покласти інструмент на стіл або верстат, обов'язково вимкніть його.

### **Відбій**

Відбій - рух відрізнних дисків вперед і назад при непередбаченому дотику до об'єкта. При використанні міцно утримуйте інструмент двома руками. Будьте пильними під час роботи.

Звичайно, відбій спричиняється:

- ненавмисним дотиком відрізнних дисків до твердих об'єктів чи матеріалів;
- затупленими відрізнними дисками;
- неправильно встановленими відрізнними дисками;
- потраплянням у попередньо нарізаний паз;
- недостатньою увагою під час роботи;
- нестійким положенням.

### **ДОДАТКОВІ ЗАСТЕРЕЖЕННЯ ВІДНОСНО БЕЗПЕКИ ПРИ РОБОТІ З ЛАЗЕРОМ**

- Уникайте потрапляння лазерного променя в око.
- Забороняється спрямовувати лазерний промінь на людей та тварин.
- Забороняється спрямовувати лазерний промінь на дзеркальні матеріали.
- Забороняється вставляти у об'єкти лазера тверді предмети.
- Чистіть об'єкти лазера м'якою, сухою щіткою.
- Ремонт лазера може здійснюватися тільки кваліфікованим технічним спеціалістом.



## ПРАВИЛА БЕЗПЕКИ ПРИ РОБОТІ З ЕЛЕКТРИЧНИМИ ПРИЛАДАМИ



*Завжди перевіряйте відповідність напруги джерела живлення наведеному у паспортній табличці значенню.*

- Забороняється використовувати інструмент з ушкодженим кабелем або штепселем.
- Використовуйте кабель-подовжувач, що задовольняє потужність інструменту, площею перерізу не менше 1,5 мм<sup>2</sup>. Якщо використовується подовжувач барабанного типу, завжди повністю розмотуйте кабель.

### ТЕХНІЧНІ ХАРАКТЕРИСТИКИ

#### WSM1008

Напруга мережі	B~	230
Частота у мережі	Гц	50
Споживання потужності	Вт	1.600
Частота холостих обертів	мін <sup>-1</sup>	6.000
Ширина паза	мм	8 - 30
Глибина паза	мм	8 - 40
Відрізний диск		
Діаметр	мм	150
Отвір	мм	22,2
Клас захисту	IP	20
Вага		кг 6,8

### ШУМ ТА ВІБРАЦІЯ

#### WSM1008

Звуковий тиск (L <sub>pa</sub> )	дБ(A)	98,8
Потужність звуку (L <sub>wa</sub> )	дБ(A)	109,8
Похибка (K)	дБ(A)	3
Вібрація (основна ручка)	м/с <sup>2</sup>	3,74
Вібрація (допоміжна ручка)	м/с <sup>2</sup>	3,50
Похибка (K)	м/с <sup>2</sup>	1,5



*Надягайте засоби захисту органів слуху.*

### Рівень вібрації

Рівень вібрації, зазначений в кінці даного посібника з експлуатації, було виміряно у відповідності зі стандартизованим випробуванням, що міститься в EN 60745; дана характеристика може використовуватися

для порівняння одного інструмента з іншим, а також для попередньої оцінки впливу вібрації під час застосування даного інструмента для вказаних цілей

- при використанні інструмента в інших цілях або з іншими/несправними допоміжними пристосуваннями рівень впливу вібрації може значно підвищуватися
- у періоди, коли інструмент вимикнений або функціонує без фактичного виконання роботи, рівень впливу вібрації може значно знижуватися

захищайте себе від впливу вібрації, підтримуючи інструмент і його допоміжні пристосування в справному стані, підтримуючи руки в теплі, а також правильно організовуючи свій робочий процес

### ОПИС (РИС. А)

Штроборіз призначений для прорізання пазів у цегляній кладці. Інструмент призначений тільки для правші.

1. Вимикач
2. Кнопка вимкнення блокування
3. Стопорний важіль для глибини пазу
4. Шкала глибини пазу
5. Обмежувач глибини
6. Кнопка замка шпинделя
7. Захист
8. Вимикач лазера
9. Лазер
10. Індикатор перевантаження
11. Плита основи
12. Колесо (4х)
13. Роз'єм для видалення пилу
14. Основна ручка
15. Допоміжна ручка
16. Державка вугільної щітки

### ЗБИРАННЯ



*Перед збиранням, завжди вимикайте інструмент та вииймайте штепсель з розетки.*

### Заміна відрізних дисків (рис. В)

Зношені або ушкоджені диски необхідно негайно замінити.



- Використовуйте тільки гострі та неушкоджені відрізни диски.
- Завжди замініюйте обидва диски одночасно.
- Ніколи не намагайтесь зняти захист.
- Щоб заблокувати шпindel (17), натискуйте кнопку замка шпинделя (6).
- Послабте зовнішній фланець (18) ключем (19).
- Зніміть старий відрізний диск (20), шайби (21), старий відрізний диск (22) та внутрішній фланець (23). Якщо необхідно, скористуйтесь розколюючим клином (24), щоб зняти шайби (21).
- Якщо необхідно, почистіть фланці (18 & 23).
- Встановіть внутрішній фланець (23), новий відрізний диск (22), шайби (21) та новий відрізний диск (20).
- Надійно затягніть зовнішній фланець (18) ключем (19).
- Звільніть замок шпинделя (6).

## ВИКОРИСТАННЯ

### Встановлення ширини пазу (рис. С)

Ширина пазу встановлюється за допомогою шайб між відрізними дисками. Кількість шайб між відрізними дисками визначає ширину пазу.



- Забороняється встановлювати ширину пазу під час роботи.
- Між відрізними дисками встановлюється принаймні одна шайба.
- Визначте ширину пазу.
- Встановіть необхідну кількість шайб (21) між відрізними дисками (20 & 22). Згідно розділу "Заміна відрізних дисків".

### Встановлення обмежувача глибини (рис. А & D)

Обмежувач глибини перебиває максимальну глибину пазу під час роботи, щоб запобігти врізанню інструменту занадто глибоко у стіну. Глибину пазу можна визначити по шкалі (4).



*Забороняється встановлювати обмежувач глибини під час роботи.*

- Трохи підніміть обмежувач глибини (5) від захисту (7).

- Встановіть обмежувач глибини (5) у необхідне положення.
- Звільніть обмежувач глибини (5), щоб він зафіксувався у правильному положенні.

### Встановлення глибини пазу (рис. А & E)

Глибина пазу змінюється від 0 до 40 мм. Глибину пазу можна визначити по шкалі (4).



*Забороняється встановлювати глибину пазу під час роботи.*

- Відпустіть стопорний важіль (3).
- Поверніть плиту основи (11) у необхідне положення.
- Затягніть стопорний важіль (3).

### Ввімкніть та вимкніть пристрій (рис. А)

- Для того щоб ввімкнути інструмент, утримуйте натисненою кнопку розблокування (2) і одночасно натисніть вимикач (1).
- Щоб вимкнути інструмент, звільніть вимикач (1).

### Використання лазера (рис. А)

Лазер використовується для проєкції лінії прорізу на стіну.

- Щоб ввімкнути лазер (9), натисніть вимикач (8).
- Щоб вимкнути лазер (9), звільніть вимикач (8).

### Індикатор перевантаження (рис. А)

Індикатор перевантаження (10) вказує на перевантаження інструменту.

- При ввімкненні інструменту індикатор перевантаження (10) тричі миготить зеленим кольором.
- Якщо індикатор перевантаження (10) горить зеленим кольором, інструмент не перевантажений. Інструмент використовується у звичайному режимі.
- Якщо індикатор перевантаження (10) миготить червоним кольором, інструмент перевантажений. Працюйте з інструментом із меншим тиском.
- Якщо індикатор перевантаження (10) горить червоним кольором, інструмент перевантажений. Необхідно вимкнути інструмент.

### Видалення пилу (рис. F)

Використовуйте інструмент тільки якщо він під'єднаний до вакуумного пристрою, що

працює з кам'яним пилом. Вакуумний пристрій має підходити для всмоктування робочих матеріалів. Використовуйте спеціальний вакуумний пристрій при роботі з токсичними матеріалами або в разі утворення токсичного пилу.



- Ніколи не застосовуйте побутовий пилосос. Використання побутового пилососу може нанести шкоду як здоров'ю, так і пилососу.
- Завжди використовуйте перехідник для видалення пилу.
- Шланг вакуумного пристрою має бути надійно закріплений до перехідника для видалення пилу.
- У разі поломки вакуумного пристрою, негайно припиніть роботу, вимкніть інструмент, вийміть штепсель з розетки та спробуйте вирішити проблему.
- Вставте перехідник для видалення пилу (25) у роз'єм для видалення пилу (13).
- Затягніть перехідник для видалення пилу (25), повертаючи його за часовою стрілкою до упору.
- Під'єднайте шланг вакуумного пристрою до перехідника для видалення пилу (25).

### Поради з використання

- Накресліть лінію, щоб визначити напрям спрямування відрізних дисків.
- Утримуйте інструмент двома руками.
- Встановіть ширину пазу.
- Встановіть обмежувач глибини.
- Виконайте один пункт з наступного:
  - Опустіть інструмент на стіну та встановіть глибину паза (рекомендується). Інструмент встановлюється на стіну і відрізни диски занурюються у стіну для більш точного встановлення глибини паза.
  - Встановіть глибину паза та опустіть інструмент на стіну.
- Розмістіть інструмент з колесами на стіні. Відрізни диски мають бути вирівняні з накресленою на стіні лінією.
- Встановіть глибину паза.
- Ввімкніть інструмент.
- Дочекайтесь, поки інструмент набере повних обертів.
- Повільно рухайте інструмент вздовж накреслених ліній, міцно притискаючи колеса до стіни.
- Не тисніть на інструмент занадто сильно. Дайте інструменту виконати роботу.

- Вимкніть інструмент і, перед тим як покласти його, дочекайтесь повної зупинки.

## ЧИЩЕННЯ І ТЕХНІЧНЕ ОБСЛУГОВУВАННЯ



*Перед чищенням й технічним обслуговуванням, завжди вимикайте інструмент та виймайте штепсель з розетки.*

- Регулярно чистіть корпус м'якою тканиною.
- Вентиляційні отвори мають бути вільними від бруду та пилу. Якщо необхідно, використовуйте м'яку вологу тканину для видалення бруду та пилу з вентиляційних отворів.
- Регулярно чистіть відрізни диски, щоб уникнути похибок під час роботи.

### Перевірка і заміна вугільних щіток (рис. А)

Необхідно регулярно перевіряти вугільні щітки. Якщо вони зносились, інструмент почне працювати стрибкоподібно.



*Використовуйте вугільні щітки правильного типу.*

- Зніміть державки вугільної щітки (16) за допомогою викрутки.
- Очистіть вугільні щітки.
- Якщо вони зносились, одночасно замініть обидві вугільні щітки.
- Встановіть державки вугільної щітки (16) за допомогою викрутки.
- Після встановлення нових вугільних щіток, дайте можливість інструменту попрацювати на холостих обертах протягом 15 хвилин.

## ГАРАНТІЯ

Консультація відносно термінів у наданій гарантії.

## ОТОЧУЮЧЕ СЕРЕДОВИЩЕ

### Утилізація



Продукт, комплектуючі та пакувальні матеріали необхідно відсортувати для екологічно нешкідливої переробки.

## Тільки для країн ЄС

Забороняється викидати електроінструменти у побутові відходи. Відповідно до Директиви ЄС 2002/96/ЕС про відходи електричного і електронного обладнання і її застосуванню до національних законів, електроінструменти, що не підлягають подальшому використанню, необхідно збирати окремо і утилізувати шляхом екологічно нешкідливої переробки.

Продукт та посібник користувача можуть змінюватися. Технічні характеристики можуть змінюватися без додаткового попередження.

## ΑΥΛΑΚΩΤΗΣ ΤΟΙΧΩΝ WSM1008

Σας ευχαριστούμε που επιλέξατε να αγοράσετε αυτό το προϊόν της Ferm.

Τώρα πλέον διαθέτετε ένα εξαιρετικό προϊόν, κατασκευασμένο από έναν από τους μεγαλύτερους προμηθευτές της Ευρώπης. Όλα τα προϊόντα που προμηθεύεστε από τη Ferm κατασκευάζονται σύμφωνα με τα υψηλότερα πρότυπα απόδοσης και ασφάλειας. Ως μέρος της φιλοσοφίας μας, παρέχουμε επίσης άριστη εξυπηρέτηση πελατών, συνοδευόμενη από την πλήρη εγγύησή μας.

Ελπίζουμε ότι θα μείνετε ευχαριστημένοι από τη χρήση αυτού του προϊόντος για πολλά χρόνια.

## ΠΡΟΕΙΔΟΠΟΙΗΣΕΙΣ ΑΣΦΑΛΕΙΑΣ



### ΠΡΟΕΙΔΟΠΟΙΗΣΗ

Μελετήστε τις εσώκλειστες προειδοποιήσεις σχετικά με την ασφάλεια, τις πρόσθετες προειδοποιήσεις σχετικά με την ασφάλεια, καθώς και τις οδηγίες. Η μη τήρηση των προειδοποιήσεων ασφαλείας και των οδηγιών μπορεί να προκαλέσει ηλεκτροπληξία, πυρκαγιά ή/και σοβαρές σωματικές βλάβες. Φυλάξτε τις προειδοποιήσεις σχετικά με την ασφάλεια και τις οδηγίες για μελλοντική αναφορά.

Τα ακόλουθα σύμβολα χρησιμοποιούνται στο εγχειρίδιο χρήσης ή επάνω στο προϊόν:



Διαβάστε το εγχειρίδιο χρήσης.



Κίνδυνος σωματικής βλάβης.



Κίνδυνος ηλεκτροπληξίας.



Αφαιρέστε αμέσως το βύσμα από την πρίζα εάν προκληθεί βλάβη στο καλώδιο ρεύματος, καθώς και κατά τον καθαρισμό και τη συντήρηση.



Φοράτε προστατευτικά γυαλιά. Φοράτε προστατευτικά ακοής.



Φοράτε μάσκα σκόνης.



**Προσοχή: Δέσμη λέιζερ!**  
Μην κοιτάτε απευθείας τη δέσμη λέιζερ.  
Μη στρέψετε τη δέσμη λέιζερ προς την κατεύθυνση ανθρώπων ή ζώων.



**Κίνδυνος εκτίναξης θραυσμάτων.**  
Απομακρύνετε τους παρευρισκόμενους από το χώρο εργασίας.



**Διπλά μονωμένο.**



**Μην απορρίπτετε το προϊόν σε κατάλληλα δοχεία.**



**Το προϊόν συμμορφώνεται με τα ισχύοντα πρότυπα ασφαλείας των Ευρωπαϊκών οδηγιών.**

### ΠΡΟΣΘΕΤΕΣ ΠΡΟΦΥΛΑΞΕΙΣ ΑΣΦΑΛΕΙΑΣ ΓΙΑ ΑΥΛΑΚΩΤΕΣ ΤΟΙΧΩΝ

- Μην εργάζεστε με υλικά που περιέχουν αμίαντο. Ο αμίαντος θεωρείται καρκινογόνος.
- Φοράτε προστατευτικά γυαλιά, προστατευτικά ακοής και, εάν απαιτείται, άλλα προστατευτικά μέσα, όπως γάντια ασφαλείας, υποδήματα ασφαλείας κ.λπ.
- Πριν από τη χρήση, αφαιρέστε όλα τα καρφιά και λοιπά μεταλλικά αντικείμενα από τον τοίχο.
- Προσέχετε τις κρυμμένες σωληνώσεις και τις καλωδιώσεις όταν δημιουργείτε αυλακώσεις στους τοίχους.
- Κρατάτε πάντοτε το μηχάνημα και με τα δύο χέρια.
- Μη χρησιμοποιείτε το μηχάνημα χωρίς το προστατευτικό.
- Επιθεωρείτε τους δίσκους κοπής πριν από κάθε χρήση. Μη χρησιμοποιείτε λυγισμένους, ραγισμένους ή καθ' οιονδήποτε άλλο τρόπο κατεστραμμένους δίσκους κοπής.
- Βεβαιωθείτε ότι οι δίσκοι κοπής είναι σωστά προσαρτημένοι.
- Βεβαιωθείτε ότι οι δίσκοι κοπής περιστρέφονται προς τη σωστή κατεύθυνση.
- Μη χρησιμοποιείτε το μηχάνημα με τους δίσκους κοπής στραμμένους προς τα επάνω ή προς το πλάι.
- Χρησιμοποιείτε μόνο δίσκους κοπής που είναι κατάλληλοι για το μηχάνημα.
- Χρησιμοποιείτε μόνο δίσκους κοπής με τις σωστές διαστάσεις.
- Μη χρησιμοποιείτε άλλα εξαρτήματα εκτός δίσκων κοπής.
- Μη χρησιμοποιείτε το μηχάνημα όταν απαιτείται ένα μέγιστο βάθος αυλάκωσης το

οποίο υπερβαίνει το μέγιστο βάθος αυλάκωσης των δίσκων κοπής.

- Βεβαιωθείτε ότι τα χέρια σας δεν έρχονται σε επαφή με τα περιστρεφόμενα μέρη.
- Εργάζεστε πάντοτε προς τη σωστή κατεύθυνση εργασίας (δείτε την ένδειξη στη βάση).
- Επιτρέψτε στο μηχάνημα να λειτουργήσει χωρίς φορτίο σε μια ασφαλή περιοχή μετά την προσάρτηση των δίσκων κοπής. Εάν το μηχάνημα δονείται έντονα, απενεργοποιήστε το αμέσως, αφαιρέστε το βύσμα τροφοδοσίας ρεύματος από την πρίζα και προσπαθήστε να επιλύσετε το πρόβλημα.
- Προσέχετε γιατί οι δίσκοι κοπής συνεχίζουν να περιστρέφονται για ένα σύντομο διάστημα μετά την απενεργοποίηση του μηχανήματος. Μη επιχειρήσετε να σταματήσετε τους δίσκους κοπής μόνοι σας.
- Μην τοποθετείτε ποτέ το μηχάνημα επάνω σε τράπεζα ή πάγκο εργασίας πριν την απενεργοποίησή του.

### Ανάκρουση

Η ανάκρουση είναι η προς τα επάνω και πίσω κίνηση των δίσκων κοπής όταν αυτοί αγγίσουν απρόσμενα ένα αντικείμενο. Κρατάτε σταθερά το μηχάνημα και με τα δύο χέρια κατά τη χρήση. Κρατάτε την προσοχής σας στραμμένη στην εργασία.

Η ανάκρουση συνήθως συμβαίνει λόγω:

- ακούσιες επαφής των δίσκων κοπής με σκληρά αντικείμενα ή υλικά;
- μη κοφτερών δίσκων κοπής;
- μη σωστά προσαρτημένων δίσκων κοπής;
- κοπής σε προηγούμενο σημείο κοπής;
- έλλειψης συγκέντρωσης στην εργασία;
- ασταθούς στάσης εργασίας.

### ΠΡΟΣΘΕΤΕΣ ΠΡΟΦΥΛΑΞΕΙΣ ΑΣΦΑΛΕΙΑΣ ΓΙΑ ΛΕΙΖΕΡ

- Μην κοιτάτε απευθείας τη δέσμη λέιζερ.
- Μη στρέψετε τη δέσμη λέιζερ προς την κατεύθυνση ανθρώπων ή ζώων.
- Μην κατευθύνετε τη δέσμη λέιζερ προς έντονα ανακλαστικά υλικά.
- Μην εισάγετε σκληρά αντικείμενα στα οπτικά στοιχεία του λέιζερ.
- Καθαρίζετε τα οπτικά στοιχεία του λέιζερ με μια μαλακή, στεγνή βούρτσα.
- Το λέιζερ πρέπει να επισκευάζεται αποκλειστικά από εξειδικευμένο τεχνικό.

## ΗΛΕΚΤΡΟΛΟΓΙΚΗ ΑΣΦΑΛΕΙΑ



*Ελέγχετε πάντοτε ότι η τάση παροχής του δικτύου συμφωνεί με την τάση στην ετικέτα χαρακτηριστικών.*

- Μη χρησιμοποιείτε το μηχάνημα εάν το καλώδιο ρεύματος ή το βύσμα τροφοδοσίας είναι κατεστραμμένα.
- Χρησιμοποιείτε μόνο καλώδια επέκτασης τα οποία είναι κατάλληλα για την ονομαστική ισχύ του μηχανήματος και με ελάχιστο πάχος 1,5 mm<sup>2</sup>.

Εάν χρησιμοποιείτε καρούλι για το καλώδιο επέκτασης, ξεδιπλώνετε πάντοτε πλήρως το καλώδιο.

## ΤΕΧΝΙΚΑ ΧΑΡΑΚΤΗΡΙΣΤΙΚΑ

### WSM1008

Τάση δικτύου	V~ 230
Συχνότητα δικτύου	Hz 50
Ισχύς εισόδου	W 1.600
Ταχύτητα χωρίς φορτίο	min <sup>-1</sup> 6.000
Πλάτος αυλάκωσης	mm 8 - 30
Βάθος αυλάκωσης	mm 8 - 40
Δίσκος κοπής	
Διάμετρος	mm 150
Διάμετρος οπής	mm 22,2
Κατηγορία προστασίας	IP 20
Βάρος	kg 6,8

## ΘΟΥΡΒΟΣ ΚΑΙ ΔΟΝΗΣΕΙΣ

### WSM1008

Ακουστική πίεση (L <sub>pa</sub> )	dB(A) 98,8
Ακουστική ισχύς (L <sub>wa</sub> )	dB(A) 109,8
Αβεβαιότητα (K)	dB(A) 3
Δόνηση (κύρια λαβή)	m/s <sup>2</sup> 3,74
Δόνηση (βοηθητική λαβή)	m/s <sup>2</sup> 3,50
Αβεβαιότητα (K)	m/s <sup>2</sup> 1,5



*Φοράτε προστατευτικά ακοής.*

## Επίπεδο κραδασμών

Το επίπεδο παραγωγής κραδασμών που αναγράφεται σι πίσω μέρς του παρόντος εγχειριδίου οδηγίων έχει μετρηθεί σύμφωνα με μια τυποποιημένη δκιμή που αναφέρεται στο πρότυπο EN 60745 - μπορεί να χρησιμοποιηθεί

για τη σύγκριση ενός εργαλείου με ένα άλλο, καθώς και ως προκαταρκτική αξιολόγηση της έκθεσης στους κραδασμούς όταν το εργαλείο χρησιμοποιείται για τις εφαρμογές που αναφέρονται

- η χρήση του εργαλείου για διαφορετικές εφαρμογές ή με διαφορετικά ή κακοσυντηρημένα εαρτήματα μπορεί να αυξήσει σημαντικά το επίπεδο έκθεσης
- όταν το εργαλείο είναι απενεργοποιημένο ή δυλεύει αλλά δεν εκτελεί την εργασία, το επίπεδο έκθεσης μπορεί να μειωθεί σημαντικά

! προστατευτείτε απο τις επιδράσεις των κραδασμών συντηρώντας σωστά το εργαλείο και τα εξαρτήματά του, διατηρώντας τα χέρια σας ζεστά και οργανώνοντας τον τρόπο εργασίας σα

## ΠΕΡΙΓΡΑΦΗ (ΕΙΚ. Α)

Ο αυλακωτής τοίχων που διαθέτετε έχει σχεδιαστεί για τη διάνοιξη αυλακώσεων σε τοιχοποιία. Το μηχάνημα είναι κατάλληλο μόνο για δεξιόχειρη χρήση.

1. Διακόπτης ενεργοποίησης/απενεργοποίησης
2. Κουμπί ασφάλισης
3. Μοχλός ασφάλισης βάθους αυλάκωσης
4. Κλίμακα βάθους αυλάκωσης
5. Αναστολέας βάθους
6. Κουμπί ασφάλισης άξονα
7. Προστατευτικό
8. Διακόπτης ενεργοποίησης/απενεργοποίησης λείζερ
9. Λείζερ
10. Ενδείκτης υπερφόρτωσης
11. Βάση
12. Τροχός (4x)
13. Σύνδεση εξαγωγής σκόνης
14. Κύρια λαβή
15. Βοηθητική λαβή
16. Θήκη ψήκτρας άνθρακα

## ΣΥΝΑΡΜΟΛΟΓΗΣΗ



*Πριν από τη συναρμολόγηση, πρέπει πάντοτε να απενεργοποιείτε το μηχάνημα και να αφαιρείτε το βύσμα τροφοδοσίας από το ρεύμα.*

## Αντικατάσταση των δίσκων κοπής (εικ. Β)

Οι φθαρμένοι ή κατεστραμμένοι δίσκοι πρέπει να αντικαθίστανται αμέσως.



- Χρησιμοποιείτε μόνο αιχμηρούς και ακέραιους δίσκους κοπής.
- Αντικαθιστάτε πάντοτε και τους δύο δίσκους κοπής ταυτόχρονα.
- Μην επιχειρείτε ποτέ να αφαιρέσετε το προστατευτικό.
- Κρατάτε το κουμπί ασφαλίσης του άξονα (6) πατημένο για να ασφαλίσετε τον άξονα (17).
- Χαλαρώστε την εξωτερική φλάντζα (18) χρησιμοποιώντας το κλειδί της φλάντζας (19).
- Αφαιρέστε τον παλιό δίσκο κοπής (20), τους αποστάτες (21), τον παλιό δίσκο κοπής (22), και την εσωτερική φλάντζα (23). Εάν απαιτείται, χρησιμοποιήστε τη διαχωριστική σφήνα (24) για να αφαιρέσετε τους αποστάτες (21).
- Εάν είναι απαραίτητο, καθαρίστε τις φλάντζες (18 & 23).
- Προσαρτήστε την εσωτερική φλάντζα (23), τον καινούργιο δίσκο κοπής (22), τους αποστάτες (21) και τον καινούργιο δίσκο κοπής (20).
- Σφίξτε καλά την εξωτερική φλάντζα (18) χρησιμοποιώντας το κλειδί της φλάντζας (19).
- Αποδεσμεύστε το κουμπί ασφαλίσης του άξονα (6).

## ΧΡΗΣΗ

### Ρύθμιση του πλάτους αυλάκωσης (εικ. C)

Το πλάτος της αυλάκωσης μπορεί να ρυθμίζεται χρησιμοποιώντας τους αποστάτες ανάμεσα στους δίσκους κοπής. Ο αριθμός αποστατών ανάμεσα στους δίσκους κοπής καθορίζει το πλάτος αυλάκωσης.



- Μη ρυθμίζετε το πλάτος αυλάκωσης κατά τη χρήση.
- Προσαρτάτε πάντοτε τουλάχιστον έναν αποστάτη ανάμεσα στους δίσκους κοπής.
- Καθορίστε το πλάτος αυλάκωσης.
- Προσαρτήστε την απαιτούμενη ποσότητα αποστατών (21) ανάμεσα στους δίσκους κοπής (20 & 22). Ανατρέξτε στο κεφάλαιο «Αντικατάσταση των δίσκων κοπής».

### Ρύθμιση του αναστολέα βάθους (εικ. A & D)

Ο αναστολέας βάθους περιορίζει το μέγιστο βάθος αυλάκωσης κατά τη χρήση ώστε να αποτρέψει το μηχάνημα από το να εισχωρήσει πολύ βαθιά μέσα στον τοίχο. Το βάθος

αυλάκωσης μπορεί να διαβαστεί από την κλίμακα (4).



*Μη ρυθμίζετε τον αναστολέα βάθους κατά τη χρήση.*

- Ανυψώστε ελαφρά τον αναστολέα βάθους (5) από το προστατευτικό (7).
- Ρυθμίστε τον αναστολέα βάθους (5) στην επιθυμητή θέση.
- Αποδεσμεύστε τον αναστολέα βάθους (5) για να τον ασφαλίσετε στη σωστή θέση.

### Ρύθμιση του βάθους αυλάκωσης (εικ. A & E)

Το βάθος αυλάκωσης κυμαίνεται μεταξύ 0 και 40 mm. Μπορεί να διαβαστεί από την κλίμακα (4).



*Μη ρυθμίζετε το βάθος αυλάκωσης κατά τη χρήση.*

- Χαλαρώστε το μοχλό ασφαλίσης (3).
- Προσδώστε κλίση στη βάση (11) έως την επιθυμητή θέση.
- Σφίξτε το μοχλό ασφαλίσης (3).

### Ενεργοποίηση και απενεργοποίηση (εικ. A)

- Για να ενεργοποιήσετε το μηχάνημα, κρατήστε πατημένο το κουμπί ασφαλίσης (2) και ταυτόχρονα πιέστε το διακόπτη ενεργοποίησης/απενεργοποίησης (1).
- Για να απενεργοποιήσετε το μηχάνημα, αποδεσμεύστε το διακόπτη ενεργοποίησης/απενεργοποίησης (1).

### Χρήση του λέιζερ (εικ. A)

Το λέιζερ χρησιμοποιείται για προβολή της τομής στον τοίχο.

- Για να ενεργοποιήσετε το λέιζερ (9), πιέστε το διακόπτη ενεργοποίησης/απενεργοποίησης (8).
- Για να απενεργοποιήσετε το λέιζερ (9), αποδεσμεύστε το διακόπτη ενεργοποίησης/απενεργοποίησης (8).

### Ενδεικτής υπερφόρτωσης (εικ. A)

Ο ενδεικτής υπερφόρτωσης (10) υποδεικνύει κατά πόσον το μηχάνημα είναι υπερφορτωμένο.

- Κατά την ενεργοποίηση, ο ενδεικτής υπερφόρτωσης (10) αναβοσβήνει πράσινος 3 φορές.
- Εάν ο ενδεικτής υπερφόρτωσης (10) ανάψει πράσινος, το μηχάνημα δεν είναι υπερφορτωμένο. Το μηχάνημα μπορεί να χρησιμοποιηθεί κανονικά.

- Εάν ο ενδείκτης υπερφόρτωσης (10) αναβοσβήνει κόκκινος, το μηχάνημα είναι υπερφορτωμένο. Εφαρμόστε λιγότερη πίεση στο μηχάνημα.
- Εάν ο ενδείκτης υπερφόρτωσης (10) ανάψει κόκκινος, το μηχάνημα είναι εντελώς υπερφορτωμένο. Το μηχάνημα θα απενεργοποιηθεί.

### Εξαγωγή σκόνης (εικ. F)

Χρησιμοποιείτε το μηχάνημα μόνο όταν είναι συνδεδεμένο με συσκευή κενού η οποία είναι εγκεκριμένη για λιθόσκονη. Η συσκευή κενού πρέπει να είναι κατάλληλη για το υλικό που υπόκειται σε κατεργασία. Χρησιμοποιείτε ειδική συσκευή κενού όταν εργάζεστε με τοξικά υλικά ή όταν παράγεται τοξική σκόνη.



- Μη χρησιμοποιείτε ποτέ οικιακή ηλεκτρική σκούπα. Η χρήση οικιακής ηλεκτρικής σκούπας μπορεί εύκολα να προσβάλει την υγεία σας και να καταστρέψει τη σκούπα.
- Χρησιμοποιείτε πάντοτε τον προσαρμογέα εξαγωγής σκόνης.
- Βεβαιωθείτε ότι ο εύκαμπτος σωλήνας της συσκευής κενού είναι σωστά συνδεδεμένος στον προσαρμογέα εξαγωγής σκόνης.
- Εάν υπάρξει βλάβη στη συσκευή κενού, διακόψτε την εργασία αμέσως, απενεργοποιήστε το μηχάνημα, αφαιρέστε το βύσμα τροφοδοσίας από το ρεύμα και προσπαθήστε να επιλύσετε το πρόβλημα.
- Εισάγετε τον προσαρμογέα εξαγωγής σκόνης (25) στη σύνδεση εξαγωγής σκόνης (13).
- Σφίξτε τον προσαρμογέα εξαγωγής σκόνης (25) στρέφοντάς τον δεξιόστροφα μέχρι να ασφαλίσει στη θέση του.
- Συνδέστε τον εύκαμπο σωλήνα μιας συσκευής κενού στον προσαρμογέα εξαγωγής σκόνης (25).

### Συμβουλές για άριστη χρήση

- Τραβήξτε γραμμές για να καθορίσετε την κατεύθυνση στην οποία θα οδηγήσετε τους δίσκους κοπής.
- Κρατήστε το μηχάνημα και με τα δύο χέρια.
- Ρυθμίστε το πλάτος αυλάκωσης.
- Ρυθμίστε τον αναστολέα βάθους.

- Ακολουθήστε ένα από τα παρακάτω βήματα:
  - Χαμηλώστε το μηχάνημα στον τοίχο και ρυθμίστε το βάθος αυλάκωσης (συνιστάται). Το μηχάνημα τοποθετείται έτσι ώστε να αγγίξει τον τοίχο και οι δίσκοι κοπής κατεβαίνουν επάνω στον τοίχο για να ρυθμιστεί το βάθος αυλάκωσης με μεγαλύτερη ακρίβεια.
  - Ρυθμίστε το βάθος αυλάκωσης και χαμηλώστε το μηχάνημα στον τοίχο.
- Τοποθετήστε το μηχάνημα με τους τροχούς επάνω στον τοίχο. Βεβαιωθείτε ότι οι δίσκοι κοπής ευθυγραμμίζονται με τις γραμμές που σχεδιάσατε στον τοίχο.
- Ρυθμίστε το βάθος αυλάκωσης.
- Ενεργοποιήστε το μηχάνημα.
- Περιμένετε μέχρι το μηχάνημα να επιτύχει πλήρη ταχύτητα.
- Αργά κινήστε το μηχάνημα κατά μήκος των προσχεδιασμένων γραμμών, πιέζοντας σταθερά τους τροχούς στον τοίχο.
- Μην εφαρμόζετε υπερβολικά μεγάλη πίεση στο μηχάνημα. Αφήστε το μηχάνημα να κάνει τη δουλειά.
- Απενεργοποιήστε το μηχάνημα και περιμένετε μέχρι να σταματήσει τελείως πριν το αφήσετε κάτω.

## ΚΑΘΑΡΙΣΜΟΣ ΚΑΙ ΣΥΝΤΗΡΗΣΗ



*Πριν από τον καθαρισμό και τη συντήρηση, πρέπει πάντοτε να απενεργοποιείτε το μηχάνημα και να αφαιρείτε το βύσμα τροφοδοσίας από το ρεύμα.*

- Καθαρίζετε τακτικά το περιβλήμα με ένα μαλακό ύφασμα.
- Ιατηρείτε τις σχισμές εξαερισμού ελεύθερες από σκόνη και βρωμιές. Εάν απαιτείται, χρησιμοποιήστε ένα μαλακό, υγρό ύφασμα για να αφαιρέσετε τη σκόνη και τις βρωμιές από τις σχισμές εξαερισμού.
- Καθαρίζετε τακτικά τους δίσκους κοπής για να αποφεύγονται ανακρίβειες κατά τη χρήση.

### Έλεγχος και αντικατάσταση των ψηκτρών άνθρακα (εικ. A)

Οι ψήκτρες άνθρακα πρέπει να ελέγχονται τακτικά. Εάν φθαρούν οι ψήκτρες άνθρακα, το μηχάνημα αρχίζει να λειτουργεί ακανόνιστα.



*Χρησιμοποιείτε μόνο το σωστό τύπο ψηκτρών άνθρακα.*



- Αφαιρέστε τις θήκες των ψηκτρών άνθρακα (16) χρησιμοποιώντας ένα κατσαβίδι.
- Καθαρίστε τις ψήκτρες άνθρακα.
- Σε περίπτωση φθοράς, αντικαταστήστε και τις δύο ψήκτρες άνθρακα ταυτόχρονα.
- Προσαρτήστε τις θήκες των ψηκτρών άνθρακα (16) χρησιμοποιώντας ένα κατσαβίδι.
- Μετά την προσάρτηση των καινούργιων ψηκτρών άνθρακα, αφήστε το μηχάνημα να λειτουργήσει χωρίς φορτίο για 15 λεπτά.

## ΕΓΓΥΗΣΗ

Συμβουλευτείτε τους όρους εγγύησης που εσωκλείονται στη συσκευασία.

## ΠΕΡΙΒΑΛΛΟΝ

### Απόρριψη



Το προϊόν, τα εξαρτήματα και η συσκευασία πρέπει να ταξινομούνται για ανακύκλωση φιλική προς το περιβάλλον.

### Μόνο για χώρες της ΕΕ

Μην απορρίπτετε ηλεκτρικά εργαλεία στα οικιακά απόβλητα. Σύμφωνα με την Ευρωπαϊκή Οδηγία 2002/96/ΕΚ για Απορριπτόμενο Ηλεκτρικό και Ηλεκτρονικό Εξοπλισμό και την εφαρμογή της στο εθνικό δίκαιο, τα ηλεκτρικά εργαλεία που έχουν παύσει να είναι χρησιμοποιήσιμα πρέπει να συλλέγονται ξεχωριστά και να απορρίπτονται με τρόπο φιλικό προς το περιβάλλον.

Το προϊόν και το εγχειρίδιο χρήσης μπορεί να αλλάξουν. Οι προδιαγραφές μπορούν να τροποποιούνται χωρίς προειδοποίηση.



## DECLARATION OF CONFORMITY

- (GB) We declare under our sole responsibility that this product is in conformity and accordance with the following standards and regulations:
- (DE) Der Hersteller erklärt eigenverantwortlich, dass dieses Produkt den folgenden Standards und Vorschriften entspricht:
- (NL) Wij verklaren onder onze volledige verantwoordelijkheid dat dit product voldoet aan, en in overeenstemming is met, de volgende standaarden en reguleringen:
- (FR) Nous déclarons sous notre seule responsabilité que ce produit est conforme aux standards et directives suivants:
- (ES) Declaramos bajo nuestra exclusiva responsabilidad que este producto cumple con las siguientes normas y estándares de funcionamiento:
- (PT) Declaramos por nossa total responsabilidade de que este produto está em conformidade e cumpre as normas e regulamentações que se seguem:
- (IT) Dichiariamo, sotto la nostra responsabilità, che questo prodotto è conforme alle normative e ai regolamenti seguenti:
- (SV) Vi garanterar på eget ansvar att denna produkt uppfyller och följer följande standarder och bestämmelser:
- (FI) Vakuutamme yksinomaan omalla vastuullamme, että tämä tuote täyttää seuraavat standardit ja säädökset:
- (NO) Vi erklærer under vårt eget ansvar at dette produktet er i samsvar med følgende standarder og regler:
- (DA) Vi erklærer under eget ansvar, at dette produkt er i overensstemmelse med følgende standarder og bestemmelser:
- (HU) Felelősségünk teljes tudatában kijelentjük, hogy ez a termék teljes mértékben megfelel az alábbi szabványoknak és előírásoknak:
- (CS) Na naši vlastní zodpovědnost prohlašujeme, že je tento výrobek v souladu s následujícími standardy a normami:
- (SK) Vyhlasujeme na našu výhradnú zodpovednosť, že tento výrobok je v zhode a súlade s nasledujúcimi normami a predpismi:
- (SL) S polno odgovornostjo izjavljamo, da je ta izdelek v skladu in da odgovarja naslednjim standardom terpredpisom:
- (PL) Deklarujemy na własną odpowiedzialność, że ten produkt spełnia wymogi zawarte w następujących normach i przepisach:
- (LT) Prisiimdami visą atsakomybę deklaruojame, kad šis gaminys atitinka žemiau paminėtų standartus arba nuostatus:
- (LV) Apgalvojam ar visu atbildību, ka šis produkts ir saskaņā un atbilst sekojošiem standartiem un nolikumiem:
- (ET) Deklareerime meie ainuvastutusel, et see toode on vastavuses ja kooskõlas järgmistega standardite ja määrustega:
- (RO) Declaram prin aceasta cu răspunderea deplină că produsul acesta este în conformitate cu următoarele standarde sau directive:
- (HR) Izjavljujemo pod vlastitom odgovornošću da je strojem ukladan sa slijedešim standardima ili standardiziranim dokumentima i u skladu sa odredbama:
- (SR) Pod punom odgovornošću izjavljujemo da je usaglašen sa sledećim standardima ili normama:
- (RU) Под свою ответственность заявляем, что данное изделие соответствует следующим стандартам и нормам:
- (UK) На свою власну відповідальність заявляємо, що дане обладнання відповідає наступним стандартам і нормативам:
- (EL) Δηλώνουμε υπεύθυνα ότι προϊόν αυτό συμφώνει και τηρεί τους παρακάτω κανονισμούς ή και πρότυπα:
- (BG) Ние заявяваме, по своя собствена отговорност, че този продукт отговаря на следните стандарти и директиви

**EN 55014-1, EN 55014-2, EN 60745-1, EN 60825-1,  
EN 61000-3-2, EN 61000-3-3**

**2006/95/EC, 2004/108/EC, 2006/42/EC, 2002/96/EC, 2002/95/EC**

Zwolle, 01-01-2011

I. Mönnink  
CEO Ferm BV

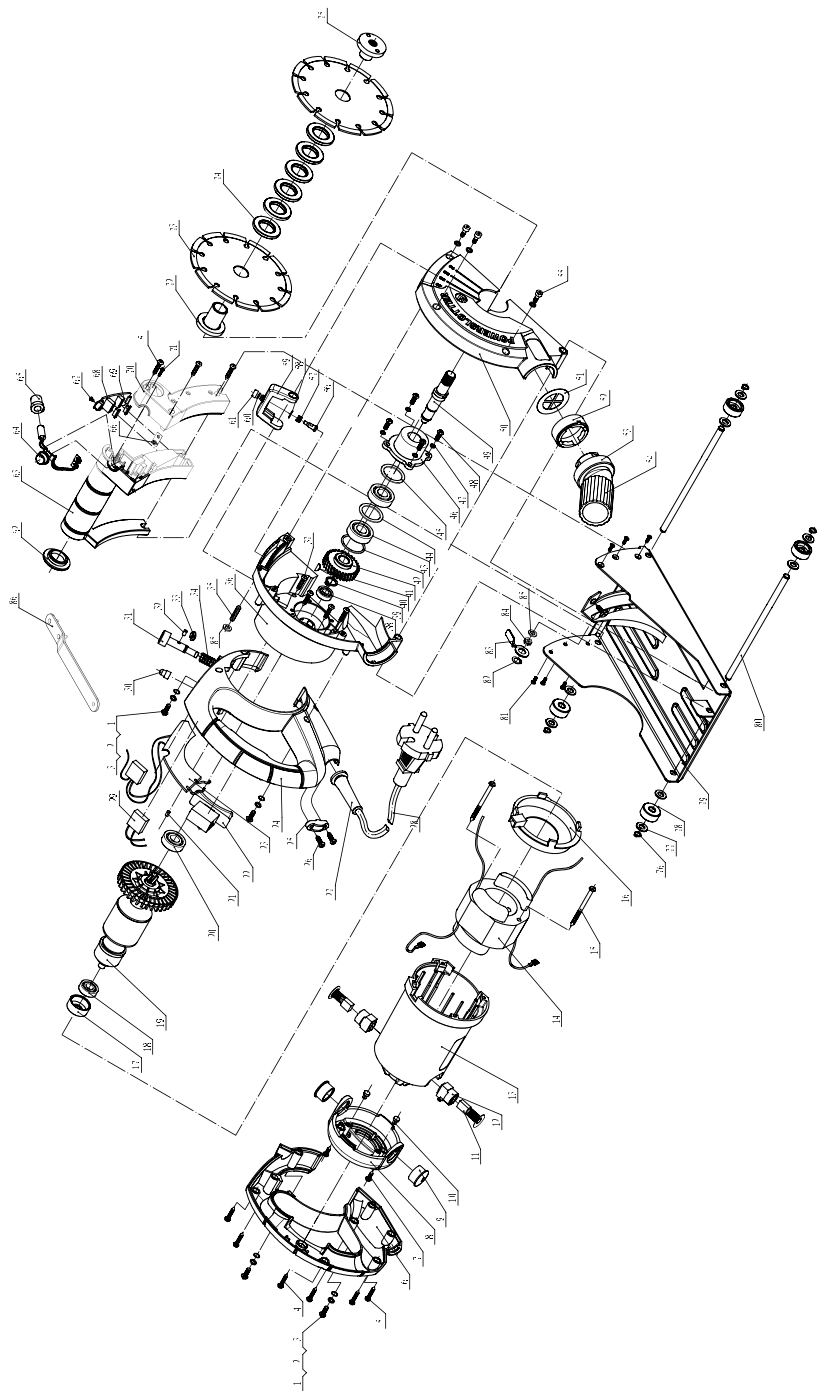
It is our policy to continuously improve our products and we therefore reserve the right to change the product specification without prior notice.

**Ferm BV • Lingenstraat 6 • 8028 PM • Zwolle The Netherlands**









---

## Spare parts list

<b>Position</b>	<b>Description</b>	<b>No.</b>
11	Carbon brush set	300761
14	Stator	300762
18	Bearing	800629
19+21	Rotor	300763
20	Bearing	806002
22+23	Switch + PCB	300764
35+85+82 till 85	Depth clamp complete	300765
40 + 41	Spindle gear	300766
43	Bearing	806202
49	Spindle	300773
51 till 54	Dust extraction complete	300767
56 till 61	Depth adjustment	300774
64 till 69	Laser complete	300768
72 + 75	Flange set	330769
74	Distance washer	300770
76 + 78(4x) + 80(2x)	Guide wheel for base plate	300771
86	Wrench	300772

